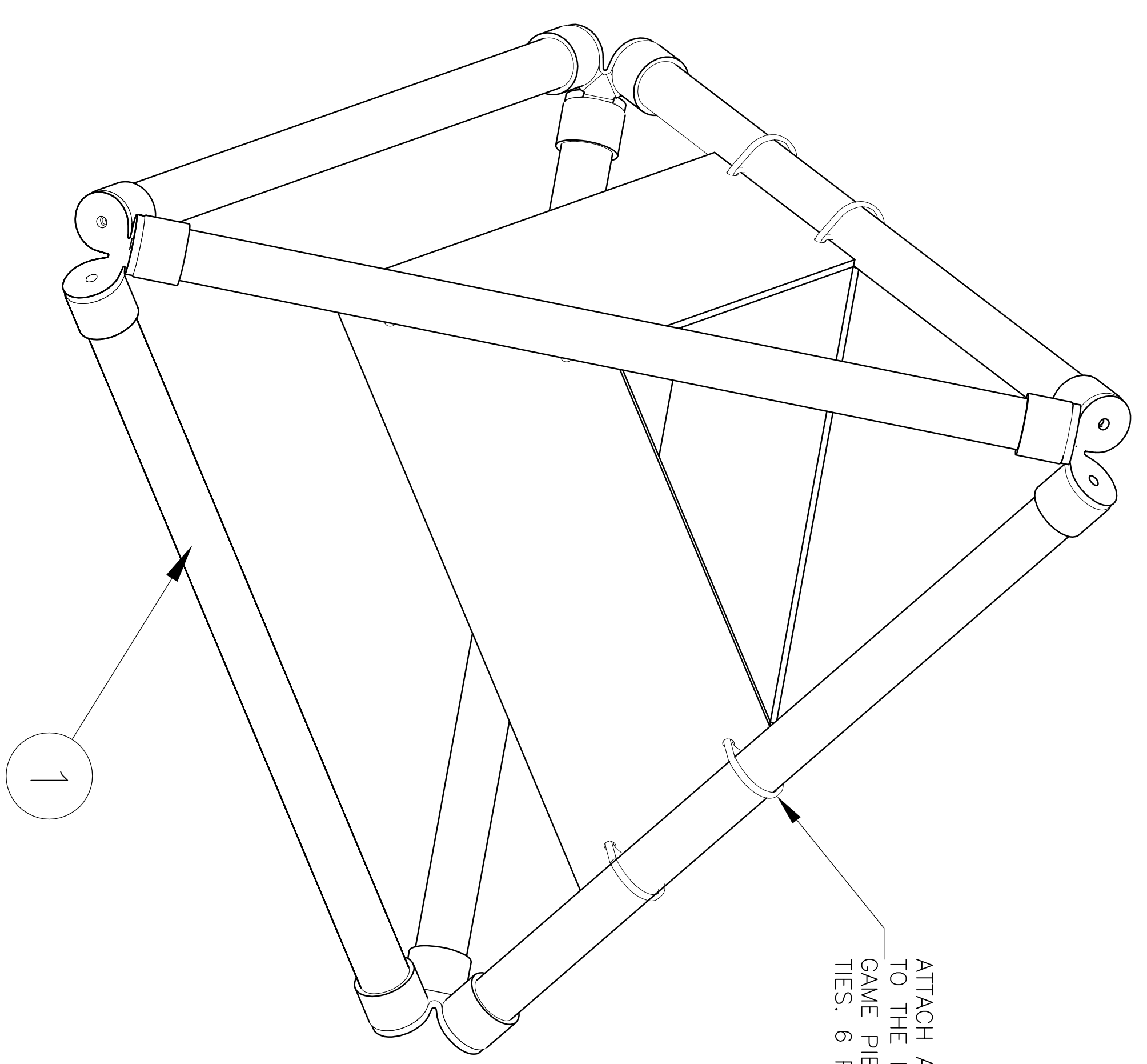
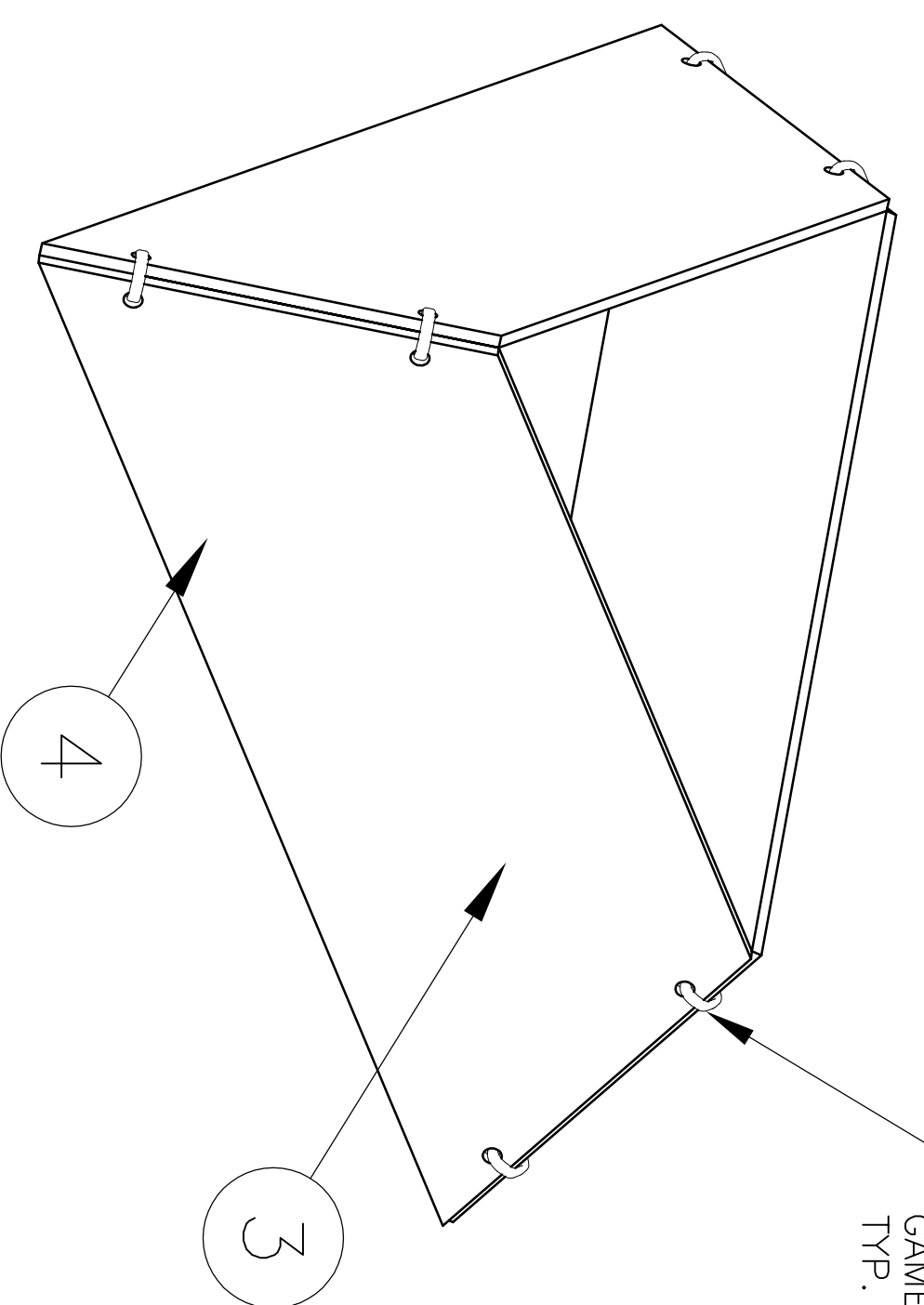


ITEM	QTY.	DESCRIPTION	LENGTH	REMARKS
1	1	TETRA	-	-
2	AR	1/2" PLYWOOD	-	-
3	3	TETRA PANEL	-	-
4	AR	PAINT, FLOUR GREEN, (RUSTOLEUM 1932)	-	-
5	6	CABLE TIE, 54"	-	-
5	6	CABLE TIE, 10"± (75LB. OR BETTER)	-	-

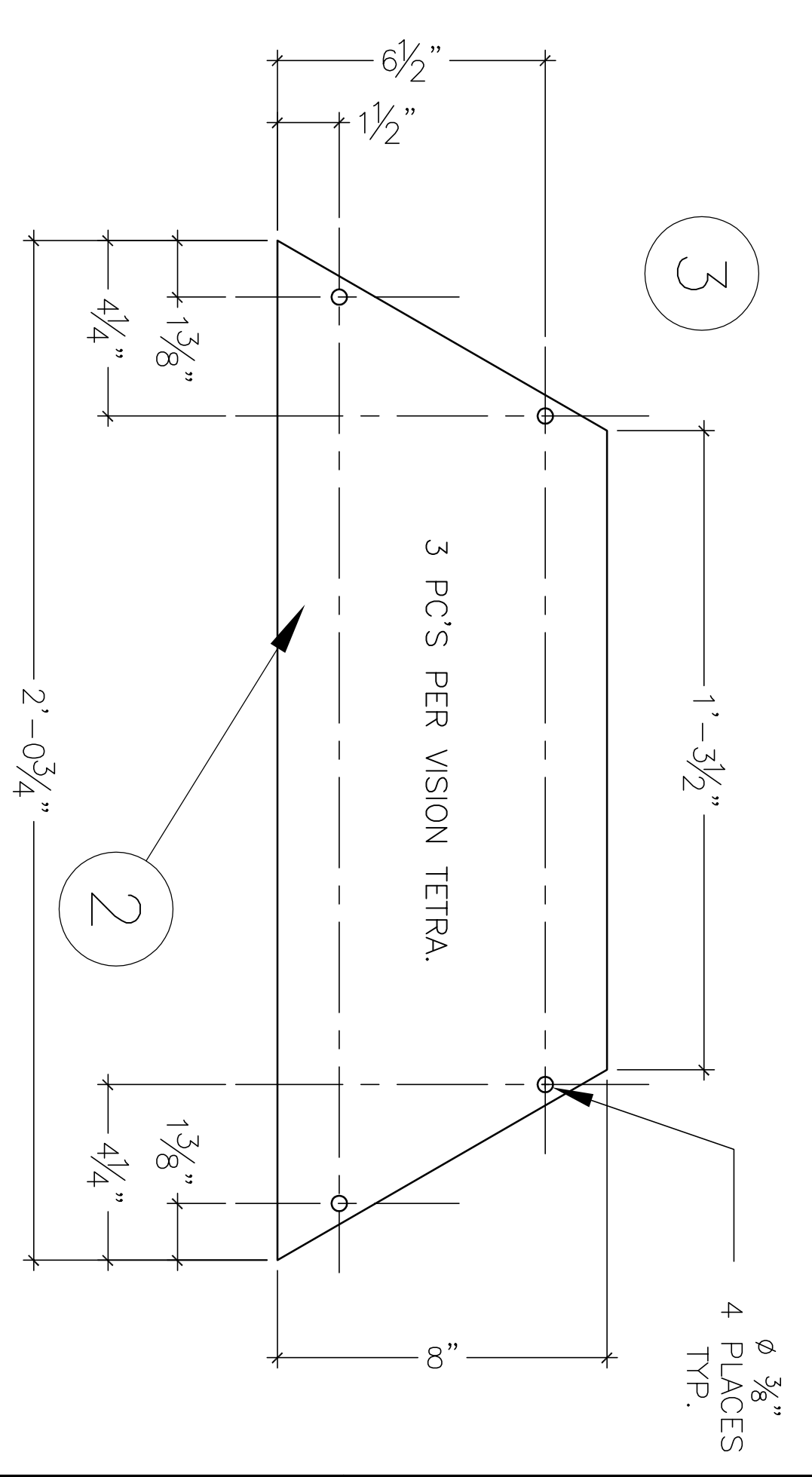
ATTACH ASSEMBLED PANELS TO THE INSIDE OF THE TETRA GAME PIECE USING 10" CABLE TIES. 6 PLACES TYP.



ASSEMBLE PANELS WITH 5" CABLE TIES PRIOR TO ATTACHING TO TETRA GAME PIECE. 6 PLACES TYP.



PRIME SURFACE WITH PRIMER SEALER THEN APPLY 2-3 EVEN COATS OF PAINT.



**FIRST**  
 200 Bedford Street, Manchester, N.H. 03101  
 (603) 666-3906 • FAX (603) 666-3907

ENGINEER	DATE/TITLE	2005 TEAM FIELD ELEMENTS VISION TETRA
DRAWN JRR	DATE 01/04/05	
CHECKED	DATE	
APPROVED	DATE/SIZE/CLASS ID.	DRAWING NO.
ISSUED	DATE/SCALE	NA