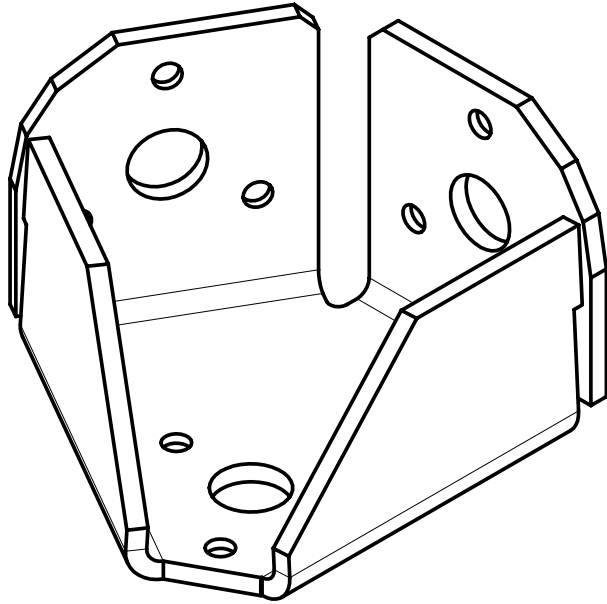


PROPRIETARY INFORMATION

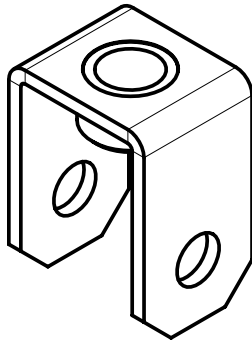
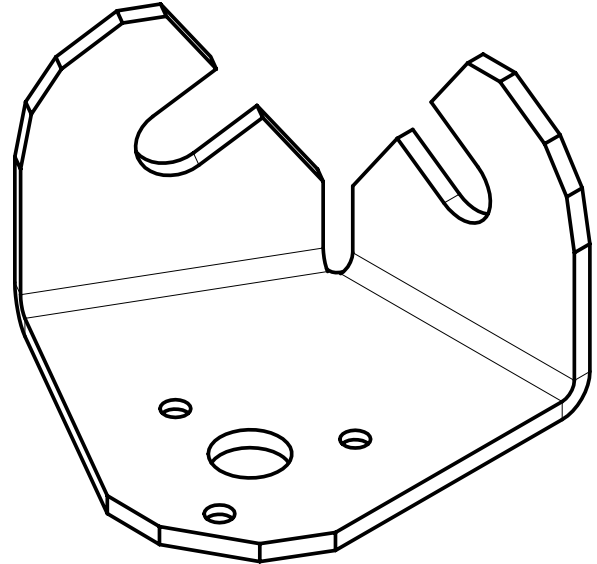
Innovation First, Inc.

DATE	2004 Dec 23	PAGE	1 OF 3
DWG	FIRST-2005 Center Goal	REV	A
TITLE	Center Goal Assembly		

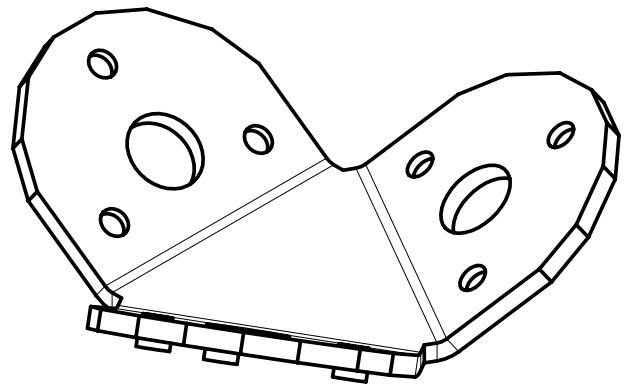
Bottom Coupler



Mid Coupler



Pipe-Nut



Clover Coupler

Center Goal Parts (Provided):

- (3) Bottom Coupler
- (3) Mid Coupler
- (4) Clover Coupler
- (24) Pipe-Nuts
- (24) Roll-Pins
- (24) 3/8 Bolts

Center Goal Parts (From Hardware Store)

- (9) 48" Grey Conduit PVC Pipe, 1-1/4, SCH 40
- (3) 40" Grey Conduit PVC Pipe, 1-1/4, SCH 40

Note: Center goal requires (7) 10ft. pipes

Innovation First, Inc.

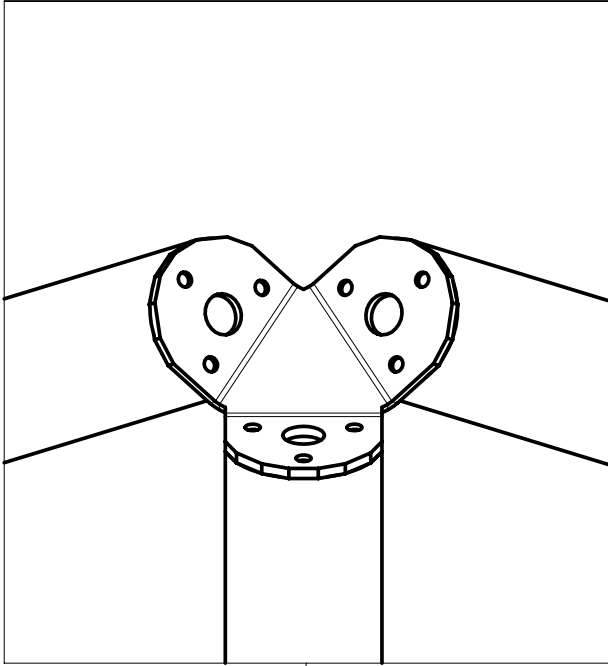
DATE 2004 Dec 23 PAGE 2 OF 3

DWG FIRST-2005 Center Goal REV A

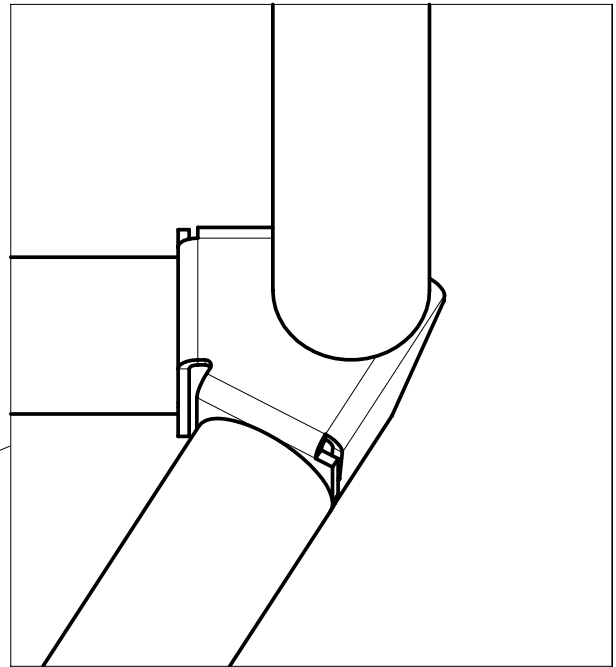
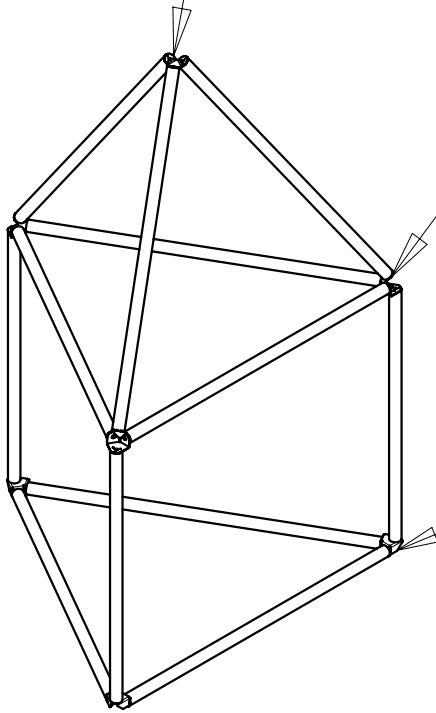
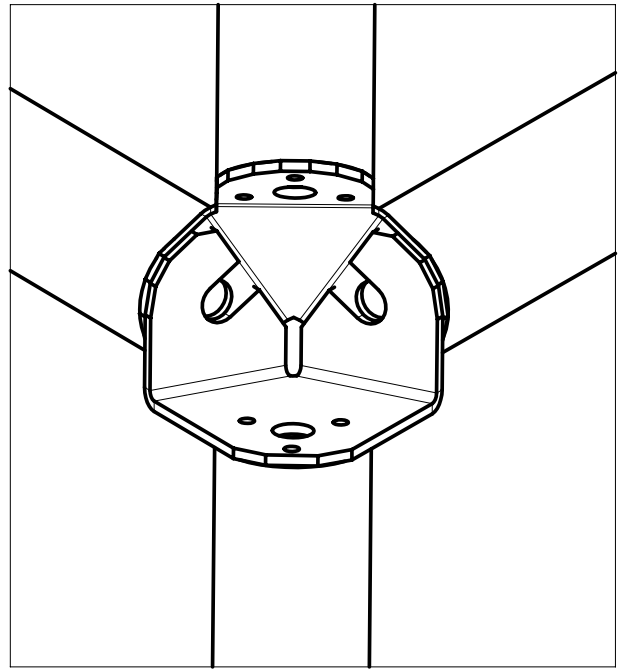
TITLE Center Goal Assembly

PROPRIETARY INFORMATION

Clover Coupler (top)



Clover + Mid Coupler



Bottom Coupler

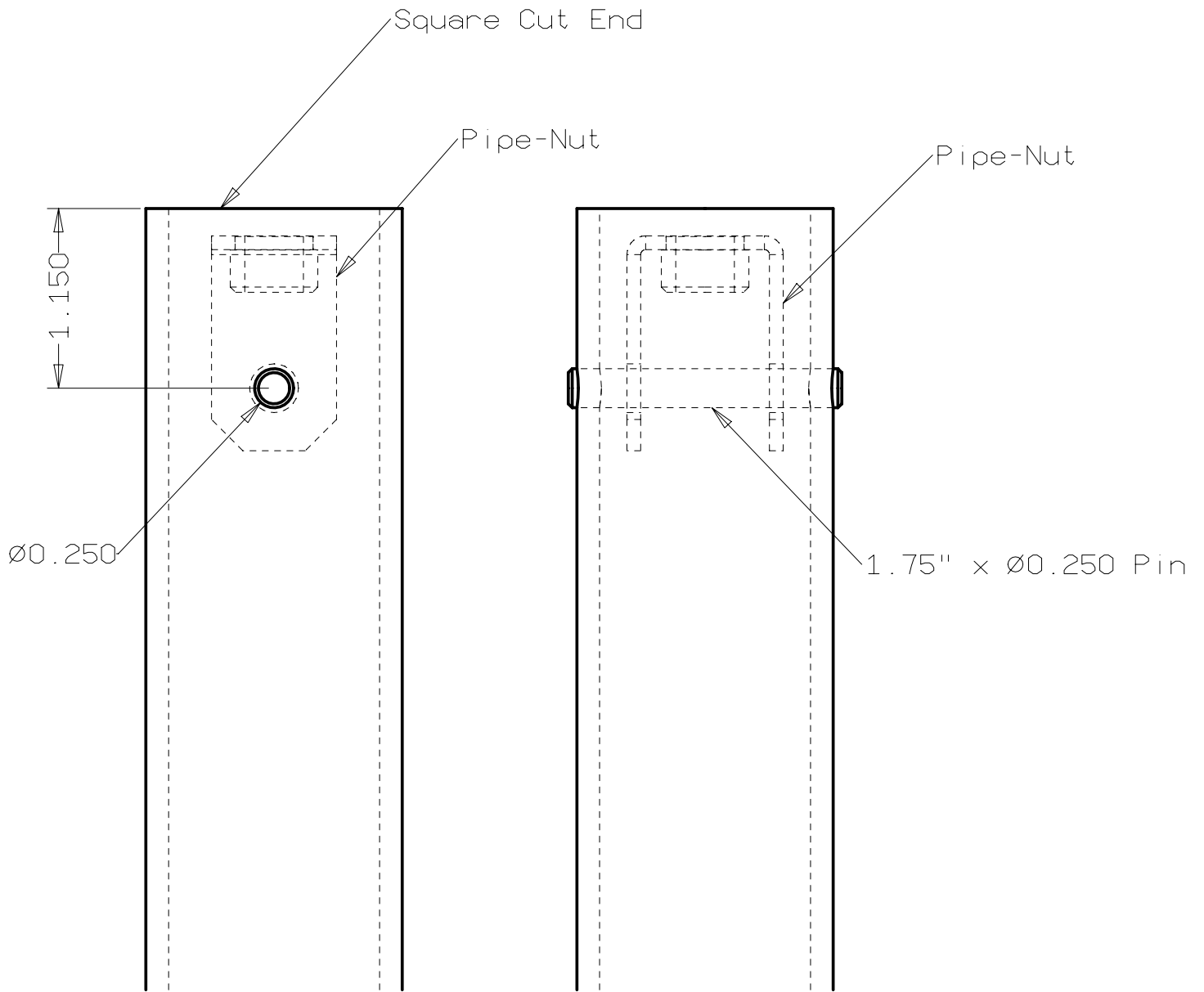
PROPRIETARY INFORMATION

Innovation First, Inc.

DATE	2004 Dec 23	PAGE	3 OF 3
------	-------------	------	--------

DWG	FIRST-2005 Center Goal	REV	A
-----	-------------------------------	-----	----------

TITLE	Center Goal Assembly
-------	-----------------------------



Notes:

1. Cut pipe to length. Be sure ends are square.
2. Drill a 0.250 hole in each end of each pipe.
The hole should be as close to the center as possible.
The hole should be 1.15 from the end.
3. Using a hammer, tap the pin into the pipe and thru one Pipe-Nut.
4. Repeat for the opposite end.

PROPRIETARY INFORMATION

Innovation First, Inc.

DATE	2004 Dec 23	PAGE	1 OF 1
DWG	FIRST-2005 Pipe Mod	REV	A
TITLE	Install PipeNuts into Pipe		