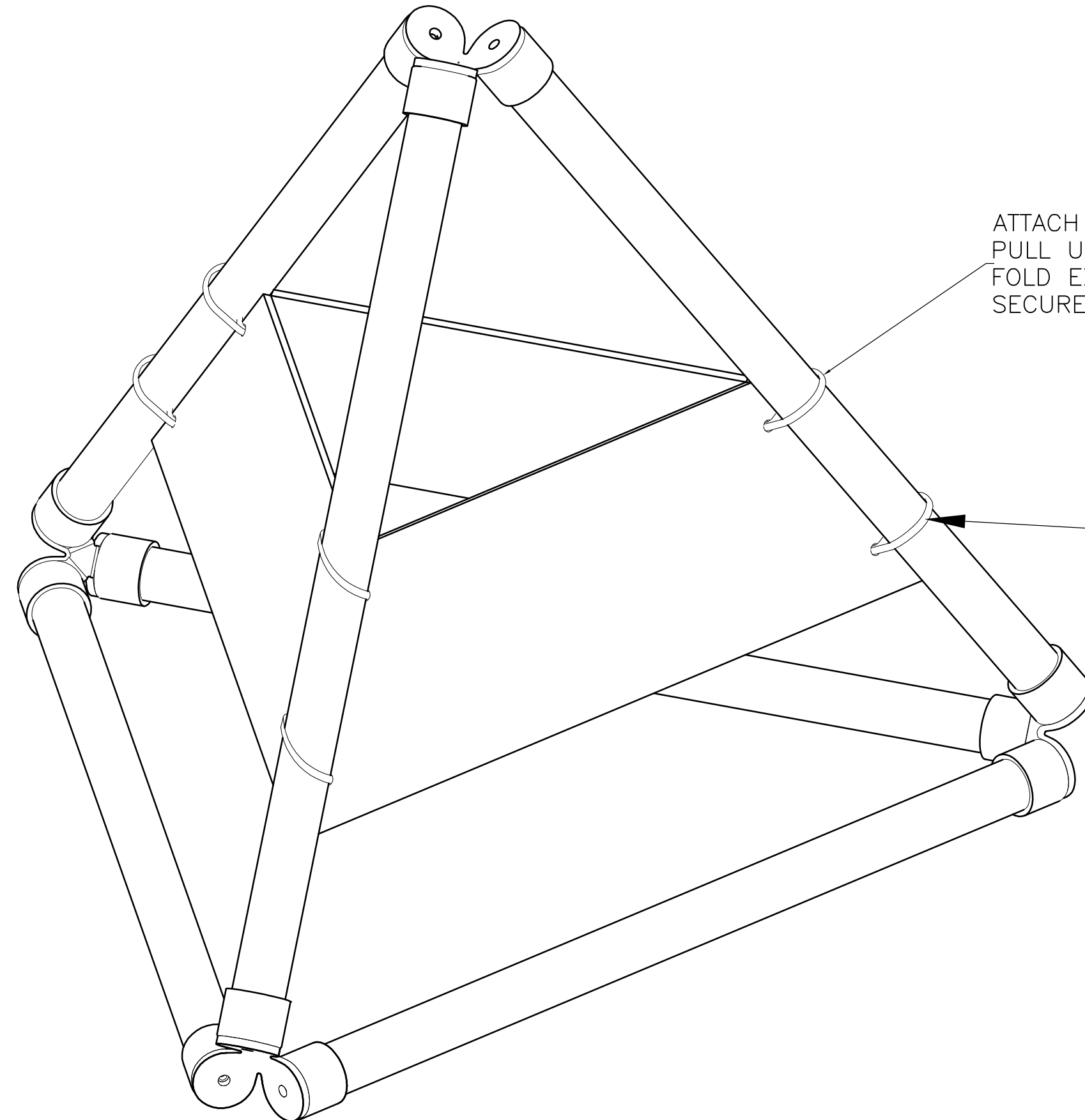
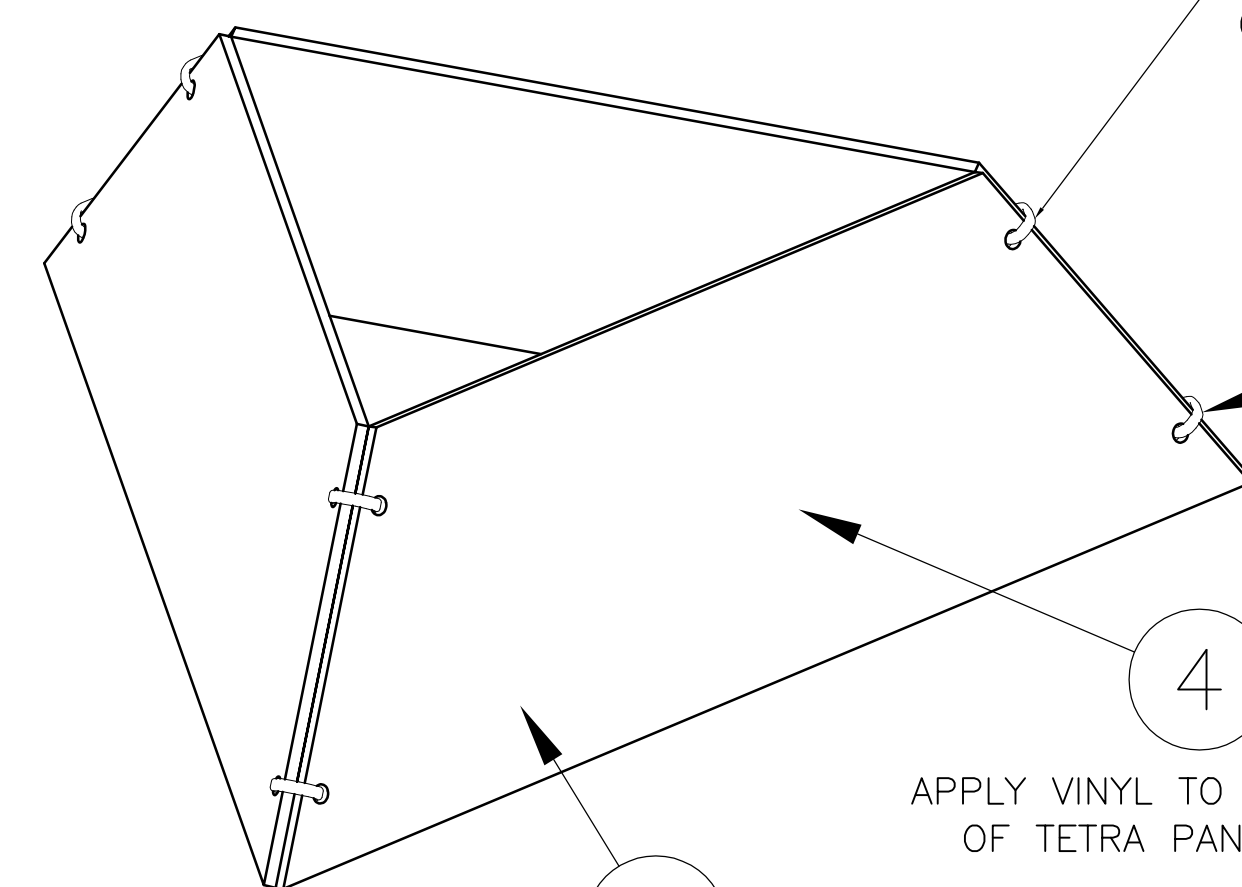


ITEM	QTY.	DESCRIPTION	LENGTH	REMARKS
1	1	GAME TETRA	.	-
2	AR	1/4" HDPE, BLACK TEXTURED	.	-
3	3	TETRA PANEL	.	-
4	AR	3M, 220, BRIGHT GREEN VINYL SHEET	.	-
5	12	TY-WRAP, NYLON 4 1/2"	.	-
6	6	CABLE TIE, STAINLESS STEEL	.	MSC #54064761



ATTACH STEEL CABLE TIE.
PULL UNTIL TIGHT.
FOLD EXCESS OVER.
SECURE WITH TY-WRAP.

6 6 PLACES
5 TYP.

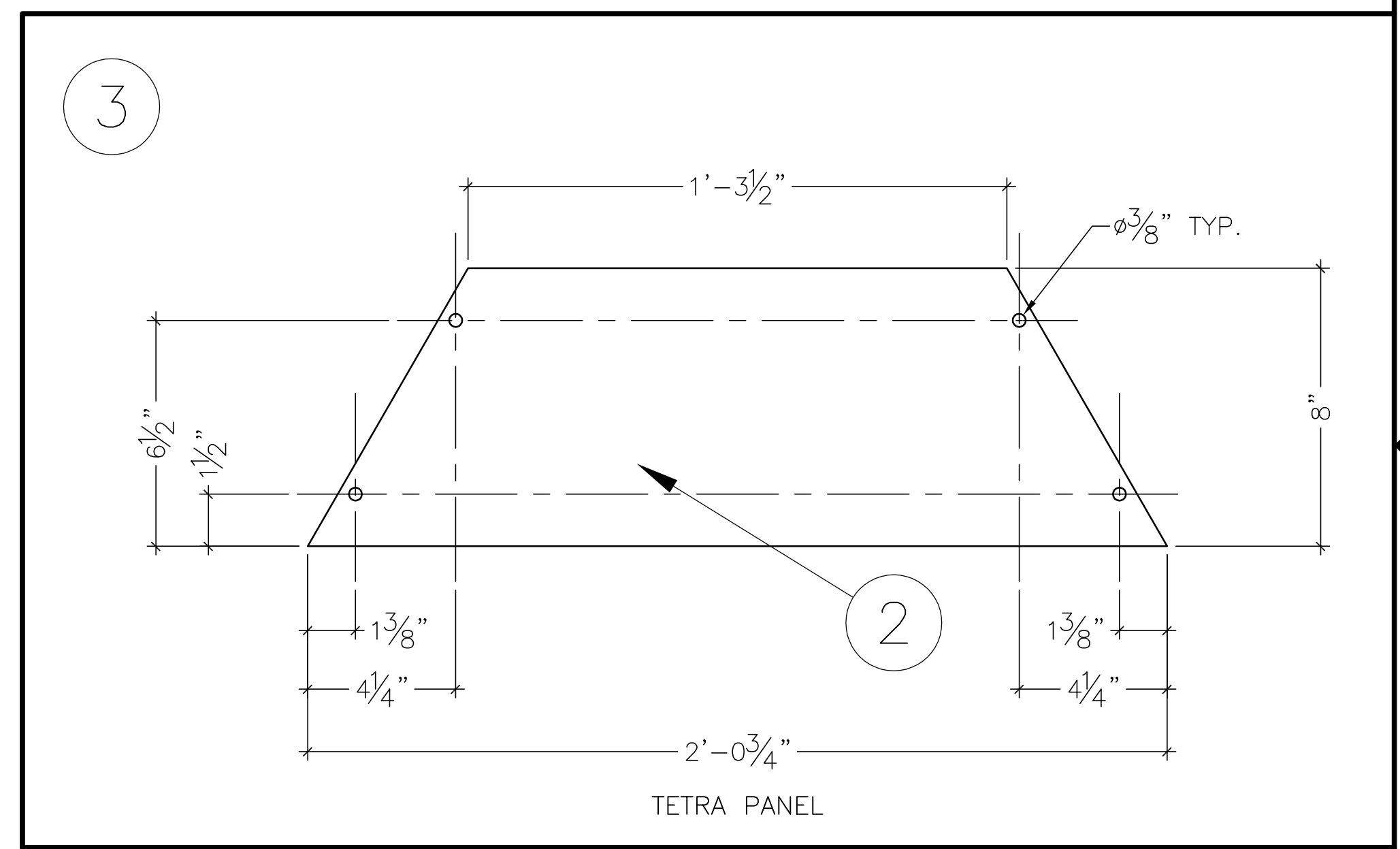


ASSEMBLE PANELS WITH
TY-WRAPS PRIOR TO
ATTACHING TO TETRA
GAME PIECE.

5 6 PLACES
TYP.

APPLY VINYL TO OUTER FACE
OF TETRA PANEL, (TYP.)

3 3 PLACES
TYP.



REV.		FROM	BY	DATE	FIRST 200 Bedford Street, Manchester, N.H. 03101 (603) 666-3906 ♦ FAX (603) 666-3907					
UNLESS OTHERWISE SPECIFIED									TITLE	
TOLERANCE		PERPENDICULAR WITHIN			2005 FIELD ELEMENTS				AS NOTED	
INCHES		PARALLEL			VISION TETRA ASSY'					
FRAC: 1/32		FLAT OR STRAIGHT			DRAWN BY		DATE	SCALE	CHECKED	DATE
.00 1/2 .02		CONCENTRIC T.I.R.			JR2D2		12/23/04	NONE		
.000 1/2 .01		RADIUS: 1/2			SIZE		D		No. NONE	
.0000 1/2 .01		HOLES: 1/2			SURFACE FINISH				SHEET NO.	
		FSCM							1	