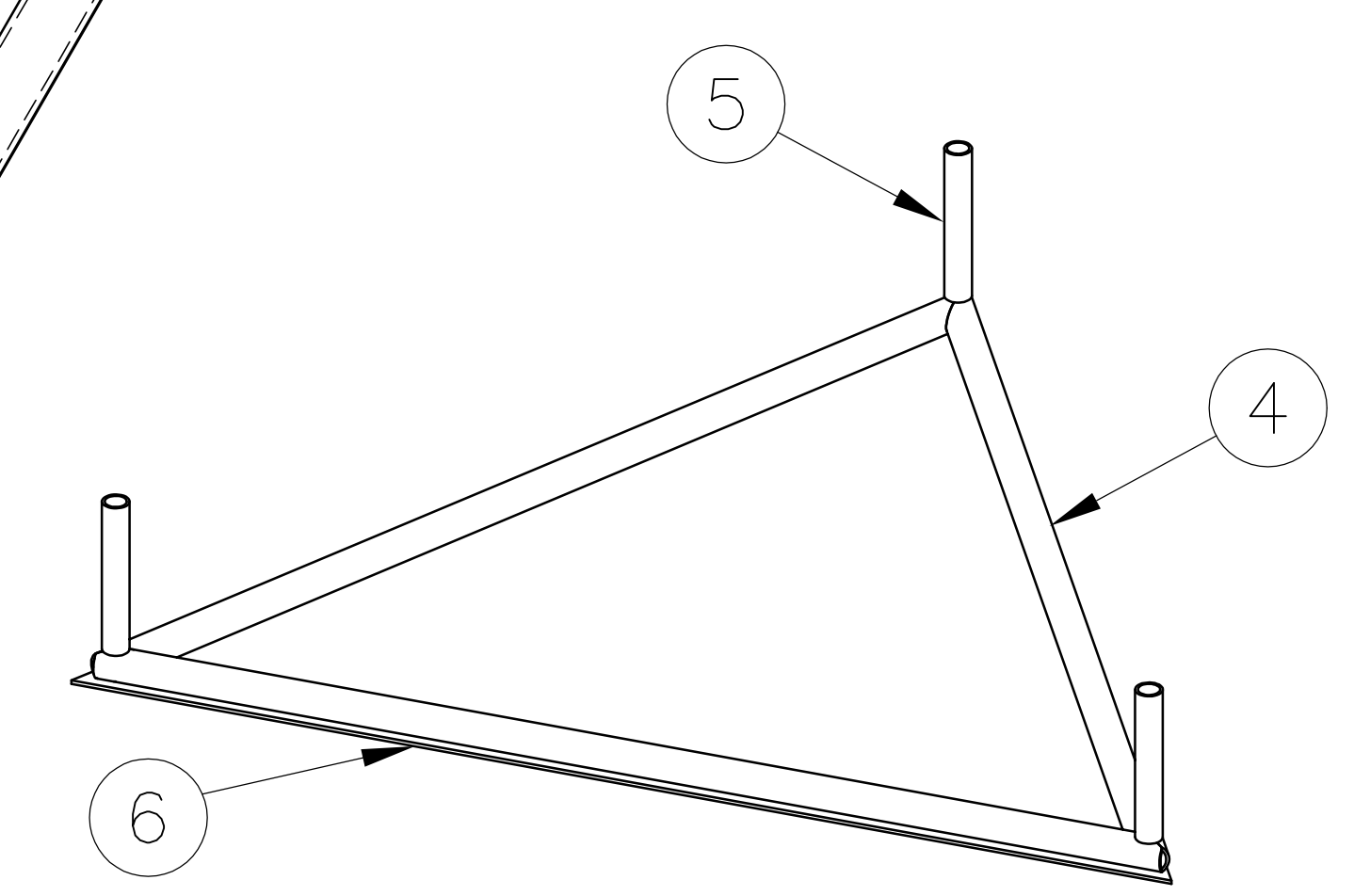
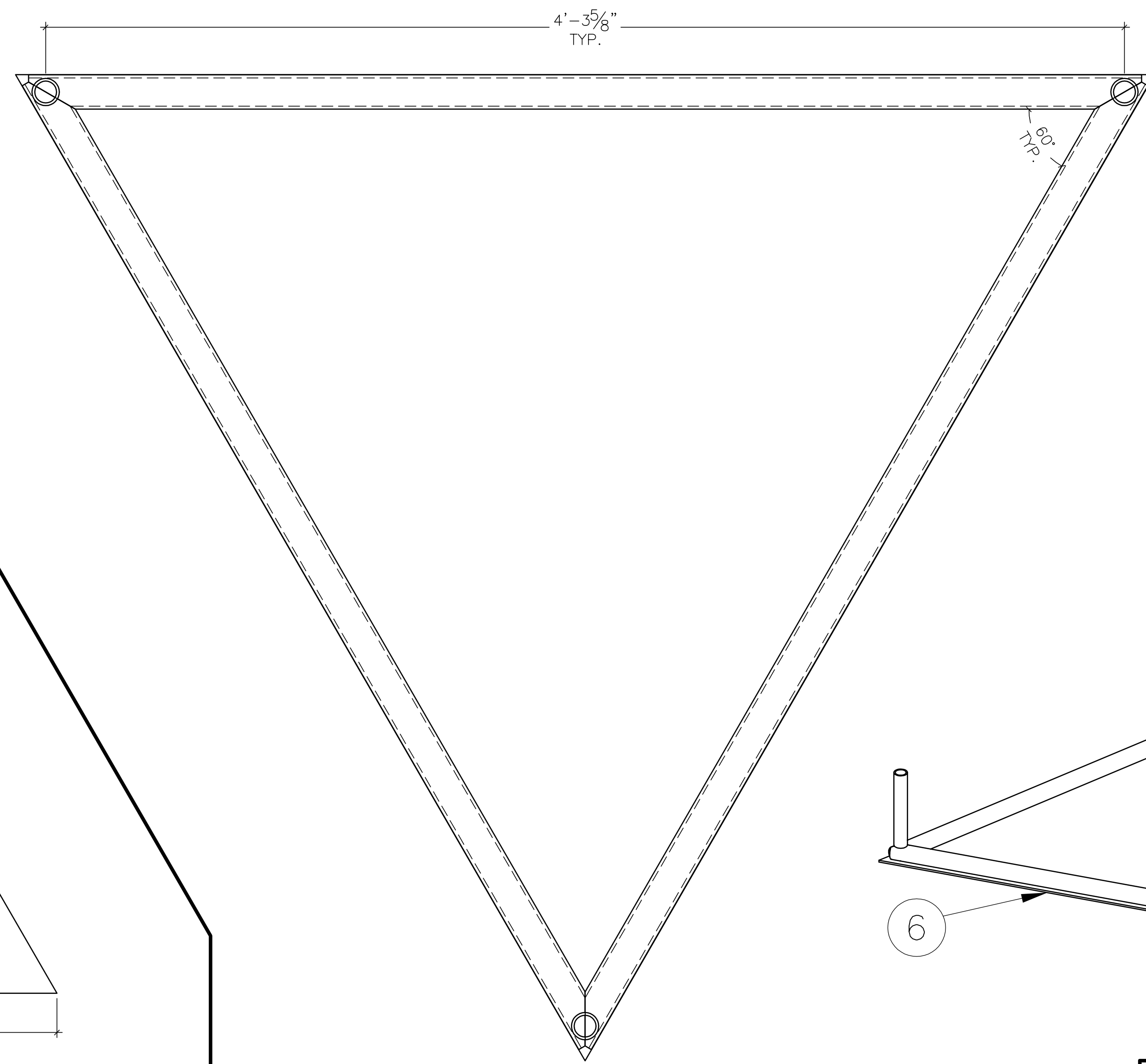
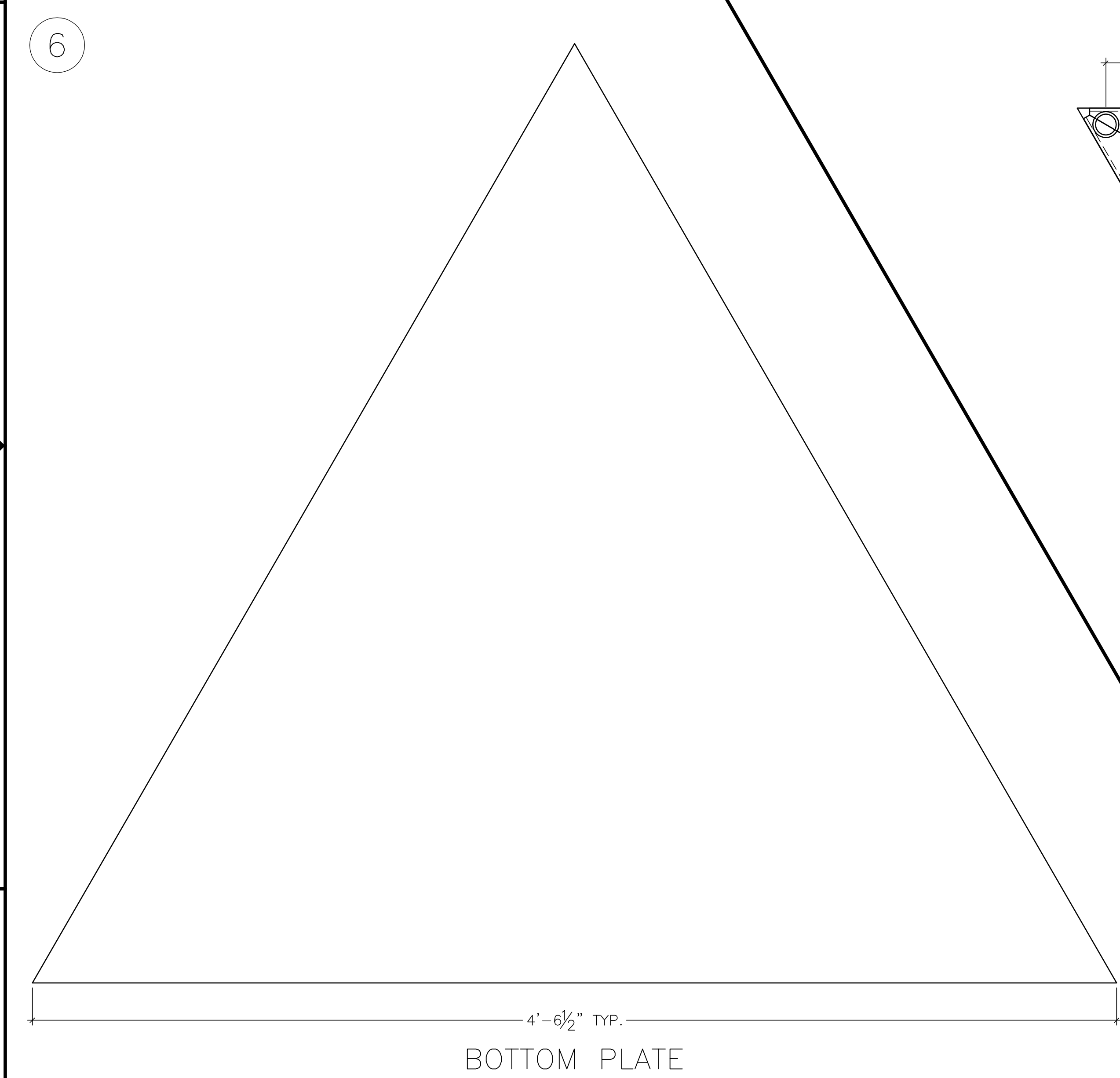
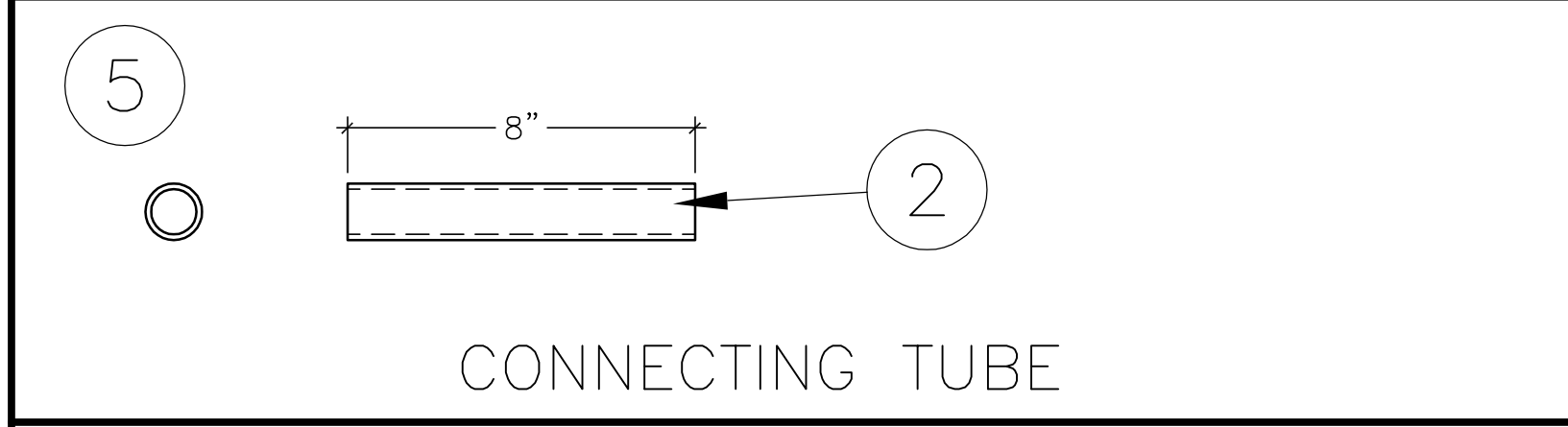
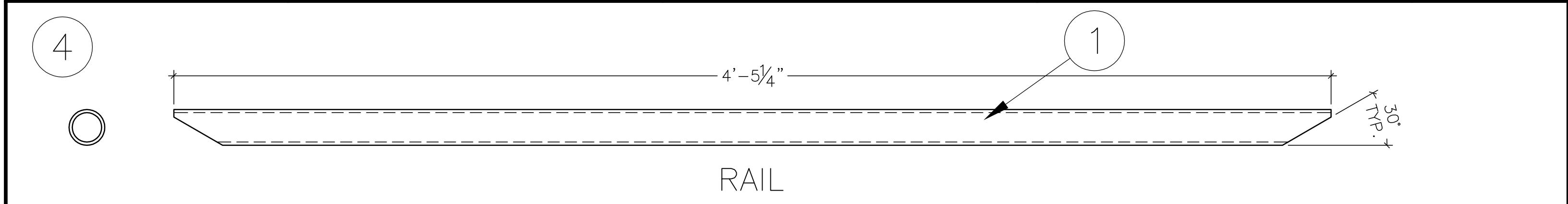


ITEM	QTY.	DESCRIPTION	LENGTH	REMARKS
1	AR	1½" SCHED40 ALUMINUM TUBING	.	-
2	AR	1" SCHED40 ALUMINUM TUBING	.	-
3	AR	¼" 6063 ALUMINUM PLATE	.	-
4	3	RAIL	.	-
5	3	CONNECTING TUBE	.	-
6	3	BOTTOM PLATE	.	-
.	.	.	.	-
.	.	.	.	-
.	.	.	.	-
.	.	.	.	-



FIRST
 200 Bedford Street, Manchester, N.H. 03101
 (603) 666-3906 • FAX (603) 666-3907

ENGINEER	DATE	TITLE
DRAWN	DATE	
JRR	12/23/04	
CHECKED	DATE	
APPROVED	DATE	SIZE CLASS ID.
ISSUED	DATE	DRAWING NO.
	SCALE	REV. 1
	NA	SHEET 1 of 1

**2005 FIELD ELEMENTS
 CENTER GOAL BASE**