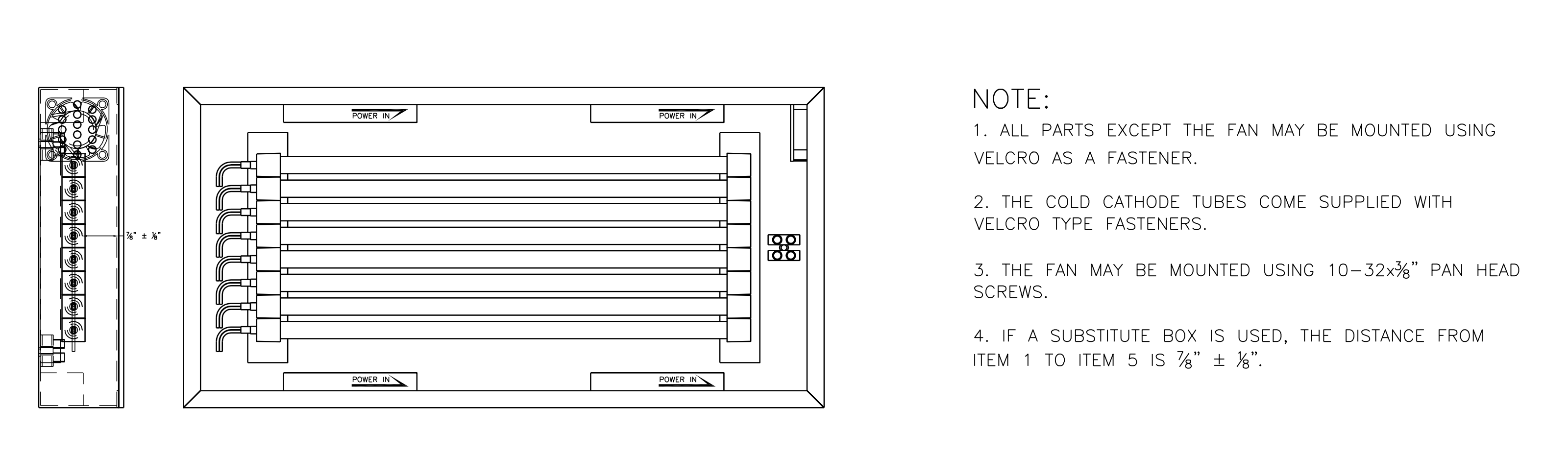
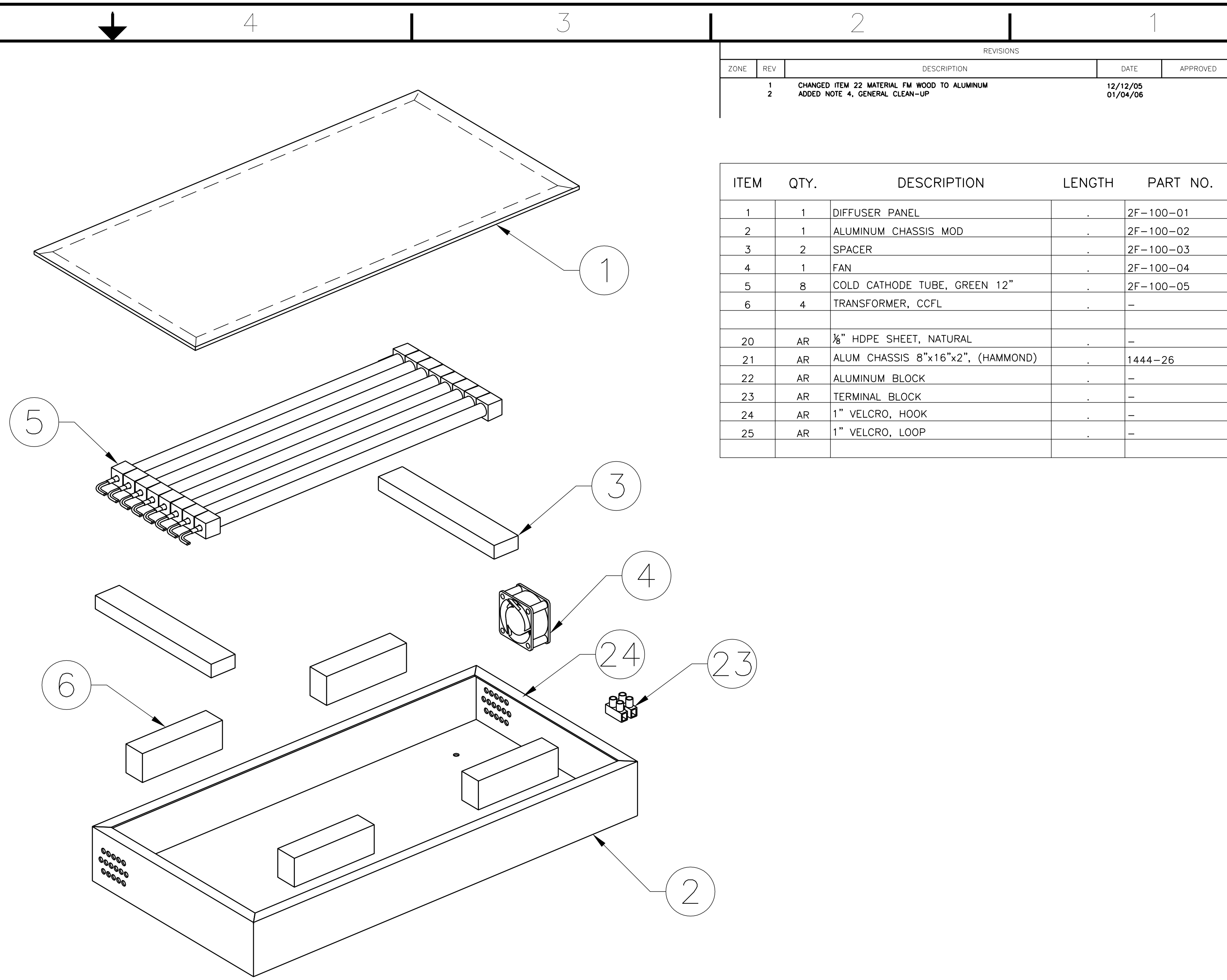
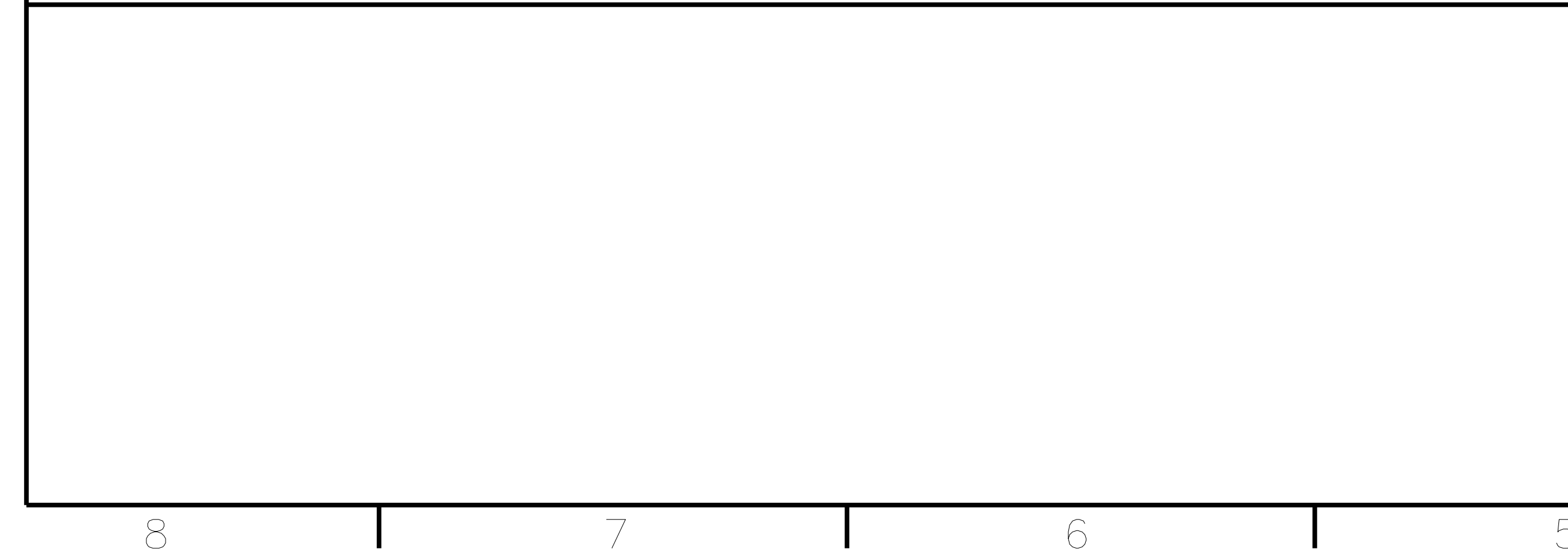
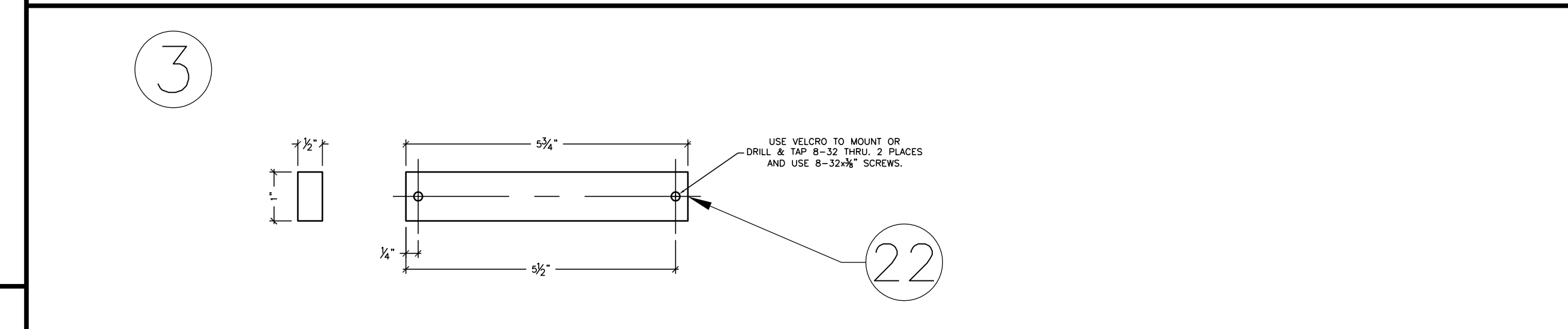
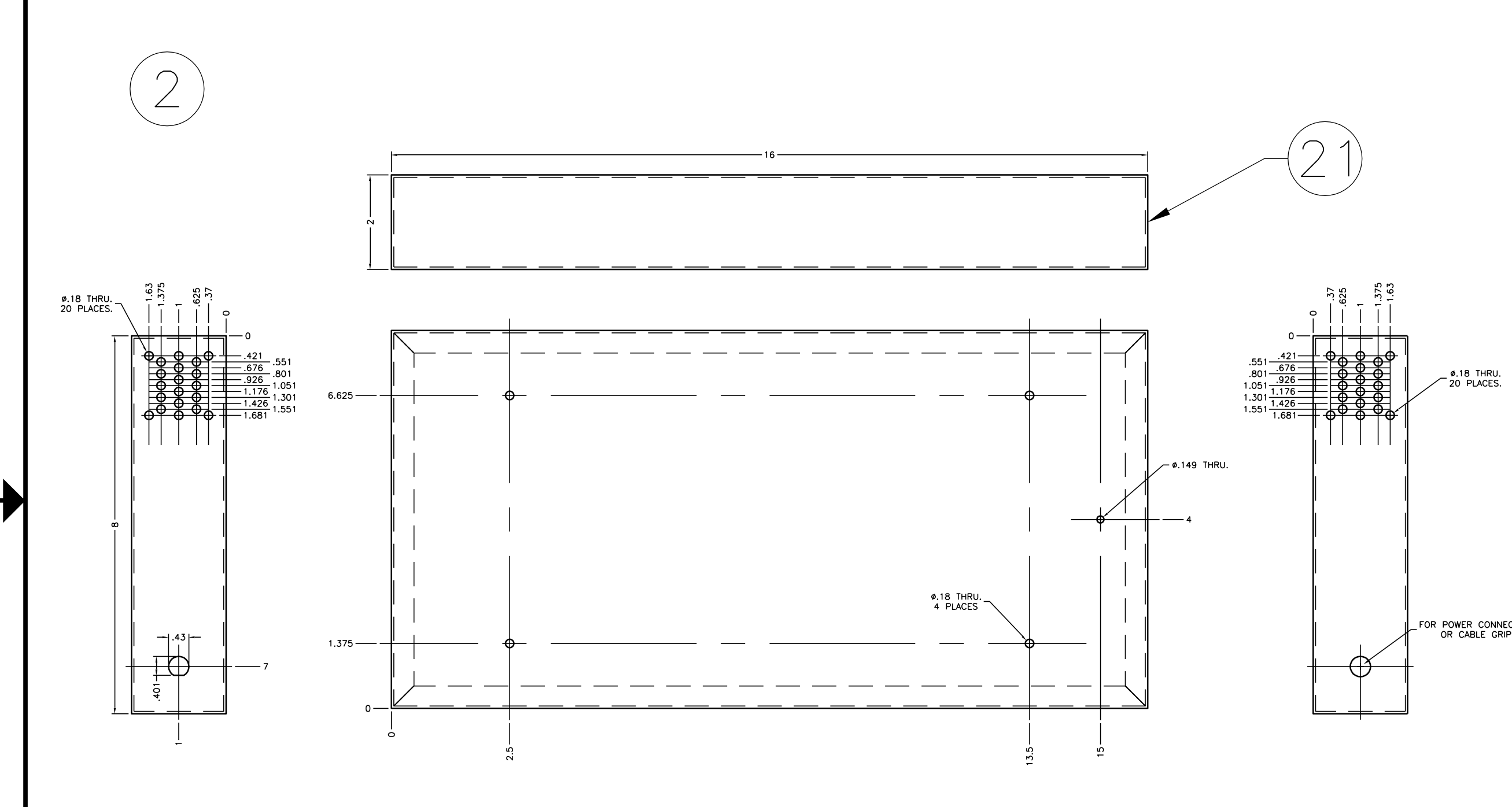
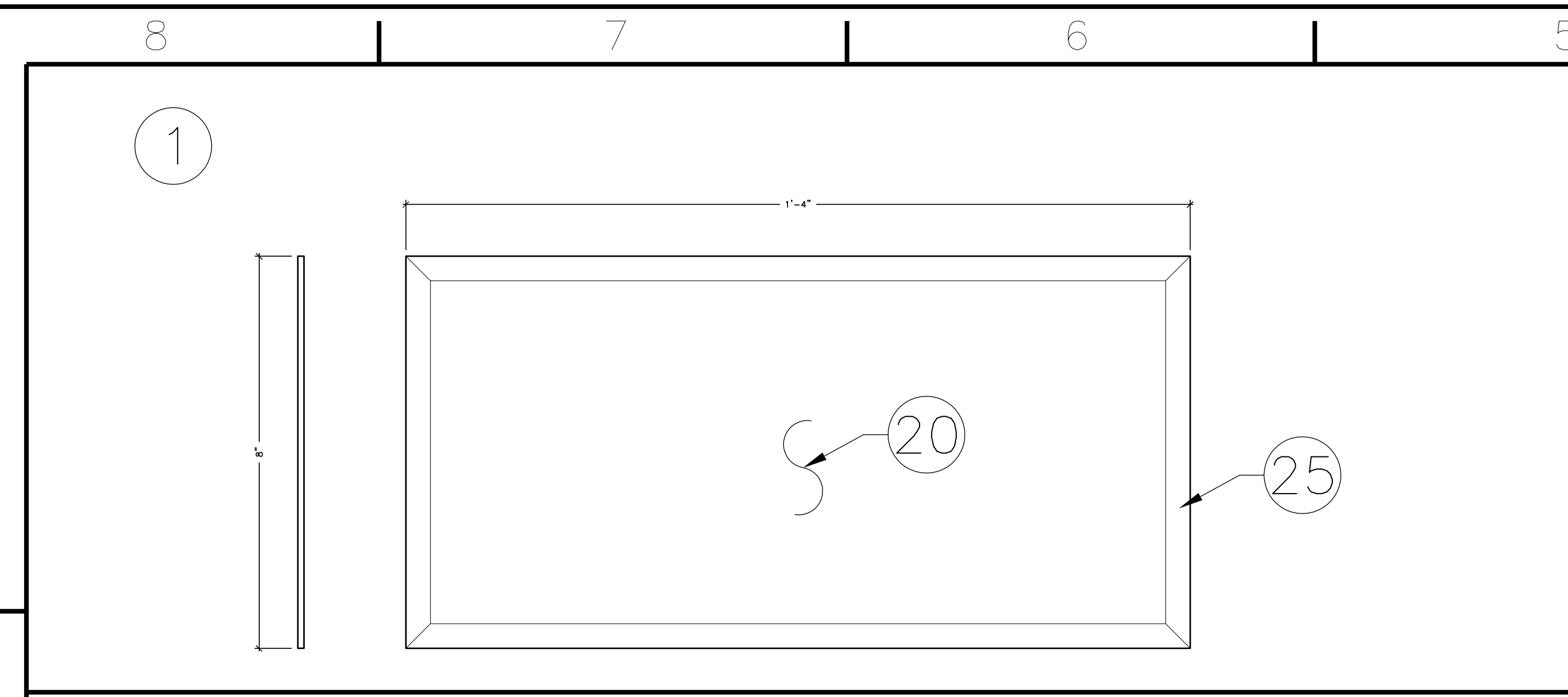


		REVISIONS	
ZONE	REV	DESCRIPTION	DATE
	1	CHANGED ITEM 22 MATERIAL FM WOOD TO ALUMINUM	12/12/05
	2	ADDED NOTE 4, GENERAL CLEAN-UP	01/04/06

ITEM	QTY.	DESCRIPTION	LENGTH	PART NO.
1	1	DIFFUSER PANEL	.	2F-100-01
2	1	ALUMINUM CHASSIS MOD	.	2F-100-02
3	2	SPACER	.	2F-100-03
4	1	FAN	.	2F-100-04
5	8	COLD CATHODE TUBE, GREEN 12"	.	2F-100-05
6	4	TRANSFORMER, CCFL	.	-
20	AR	1/8" HDPE SHEET, NATURAL	.	-
21	AR	ALUM CHASSIS 8"x16"x2", (HAMMOND)	.	1444-26
22	AR	ALUMINUM BLOCK	.	-
23	AR	TERMINAL BLOCK	.	-
24	AR	1" VELCRO, HOOK	.	-
25	AR	1" VELCRO, LOOP	.	-



NOTE:

- ALL PARTS EXCEPT THE FAN MAY BE MOUNTED USING VELCRO AS A FASTENER.
- THE COLD CATHODE TUBES COME SUPPLIED WITH VELCRO TYPE FASTENERS.
- THE FAN MAY BE MOUNTED USING 10-32x3/8" PAN HEAD SCREWS.
- IF A SUBSTITUTE BOX IS USED, THE DISTANCE FROM ITEM 1 TO ITEM 5 IS 7/8" ± 1/8".

2 FIELD		JR	01/06	FIRST 200 Bedford Street, Manchester, N.H. 03101 (603) 666-3906 • FAX (603) 666-3907		MATERIAL AS NOTED	
1 FIELD		JR	12/12			TITLE: 2006 TFE VISION TARGET FABRICATION & ASSEMBLY	
REV.	FROM	BY	DATE	UNLESS OTHERWISE SPECIFIED TOLERANCE PERPENDICULAR WITHIN INCHES PARALLEL FRAC. 1/32 FLAT OR STRAIGHT CONCENTRIC T.I.R. .001 RADIUS .005 HOLES .010 FSCM		DRAWN BY: JRR DATE: 12/09/05 SCALE: NA CHECKED: [] DATE: [] SIZE: D No. 2F-T202	
				SHEET NO. 1			