

Pocketful of Cherries

Designer: Carol Sorsdahl, *Junebug Knits for Kids & Dolls*, Gig Harbor, WA



SKILL: Intermediate

SIZE: Child's 2 (4, 6) Finished chest measurement: 25 (27, 30)" / 63.5 (68.5, 76) cm.

MATERIALS:

Tamm's 3-Ply Astracryl, (100% acrylic)

2564 yd / 16 oz (2345 m / 450 g) cones:

- 1 cone (450 g) #1270 Navy (MC)
- 4 oz (113.4 g) #1240 Red (CC1)
- 2 oz (56.7 g) #1286 Green (CC2)
- 9 (9,10) 1/2" (1.27 cm) buttons (JHB Int'l #93205 shown)

MACHINE: Any 4.5 mm standard knitting machine with ribber. Sample knit on a Brother 965i.

GAUGE: 31 sts and 48 rows = 4" (10 cm).

TENSION: T5 for st st. T2/2 for rib.

NOTES: 1) Scallop Rib (for sweaters only; see patt for hat ribbing): CC1, CO over required # sts in 1x1 rib. T0/OII, K3 circ rows. Set both carrs to Hold. Pull E6N (Doll E4N) both beds to HP. MC, T2/2 I. K4R. Release Hold on MB, K1R. Release Hold on ribber, K17R (Doll K5R). Trans sts to MB, cont patt as shown. 2) Cherries Option: Use 9(10, 10) – JHB #43381 red gumball buttons instead of crocheted cherries BUT use #1243 red yarn instead of #1240 throughout to match buttons. 3)

Embellishments: When knitting leaves and cherries, pull ndls to HP first few rows to help sts knit off.

SWEATER BACK: K scallop rib (as per NOTE 1) over 98 (106, 118) sts, pulling E6N to HP beg 4th (3rd, 3rd) ndl from L side. Trans to MB. Inc 1 st L side. RC000. T5. K to RC078 (090, 110). Place sleeve marker both sides. K to RC136 (160, 184). **Neck Shaping:** Set carr to Hold. Pull all ndls L of -0- and 10 R of -0- to HP. Dec 3 sts at neck edge EOR 3x (Size 4 and 6: Dec 5 sts at neck edge EOR 1x then 4 sts EOR 2x). K to RC144 (168, 192). Repeat for opp side, rev shaping. Remove neck and shoulder sts onto WY.

SWEATER RIGHT FRONT: K scallop rib as for back over 49 (53, 59) sts pulling E6N to HP beg 4th (5th, 7th) ndl from L side. Trans to MB. Place a vertical marker between sts 14/15 (15/16, 17/18) both sides. K to RC 042(048, 054). Run vertical marker up through EO bar to RC042 (048, 054). Pull ndls L14-R14 (L16-R16, L17-R17) to HP. With R.C., manually K these sts back to WP. K to RC078 (090, 110). Place sleeve marker R side. K to RC112 (132, 156). **Neck shaping:** COR. Set carr to Hold. Pull 4 (6, 6) ndls on L to HP. Dec 3 sts at neck edge EOR 2x,

then 2 sts EOR 2x, then 1 st EOR 5x (Size 4 and 6: 3 sts EOR 2x, then 2 sts EOR 3x, then 1 st EOR 5x). K to RC144 (168, 192). Remove neck and shoulder sts onto WY.

SWEATER LEFT FRONT: K same as for R Front, rev shaping. Block fronts.

EMBELLISHMENTS: Leaf: Make 4 as per NOTE 3. CC2, e-wrap CO over 4 ndls. T5, K2R. Inc 2 sts by moving end st ea side to adj ndl. Put heel of 2 center sts on empty ndls. Inc 2 sts ea side in same manner 1x, putting heel of adj st on empty ndls. K6R, then dec to 1 st, K1R, BO. Lightly steam leaves. Sew 2 leaves on each pocket (refer to photo for placement).

SWEATER POCKET LININGS: With wrong side of R front facing, neck edge down, fold at R.C. marker and hang 29 (33, 35) sts marked by R.C. on neck edge side onto 28 (33, 34) ndls. MC. RC000, T5. Leave 12" (30.5 cm) yarn tail, K42 (48, 54)R. Without breaking yarn, remove onto WY. Block to size, 3.5 (4, 4.5)"/9 (10, 11.5cm) square. **Pocket Edging:** Fold at R.C. marker as for lining. With CC1 and KM crochet hook, beg at L and rev crochet in rem sts marked by R.C. Remove R.C. Wrong side facing, neck edge down, fold at rib and hang sts between vertical markers from RC001 on 28 (32, 34) ndls. Hang sts on bottom of lining on same ndls. Remove WY, BO. Attach lining, catching loops on side of pocket and bars marked by vertical marker. Remove markers. Secure yarn ends of edging both sides. Repeat for L front. Join shoulders. Block back.

SWEATER BANDS: Neckband: Wrong side facing, hang neck edge over 93 (111, 111) ndls. MC, T6, K1R from L to R over all sts. Trans EOS to ribber. T2/2 I, K24R. Hang hem, BO.

Button Band: Wrong side facing, hang L front edge over 81 (93, 104) ndls. RC000. MC, T5. K14R. T9, K1R. T5, K14R. Hang hem from first row of band, BO. **Buttonhole Band:** K as for button band, except make 5 (5, 6) buttonholes evenly spaced across band.

SWEATER SLEEVES: Make 2. K scallop rib as for back over 62 (66, 66) sts, pulling E6N to HP beg 4th (5th, 5th) ndl on L side. RC000. T5, FF inc 1 st ea side E5R 0 (6, 0)x, then E6R 7 (12, 3)x, then E7R 5 (0, 17)x. K to RC084 (108, 144) – 86 (102, 106)sts. Remove onto G-bar or WY.

SWEATER FINISHING: Attach sleeves. Block sleeves and lightly steam bands. Sew side and sleeve seams, sew buttons on. **Crocheted Cherry:** Make 4 as per NOTE 2. With 1/B (2mm) crochet hook and CC1, ch 3, join to first ch with slip st. Work in rnds in back loops only. 2 sc in ea ch. [Sc in next st, 2 sc in next st]6x. Sc in ea of next 12 st. [Sc in next st, dec over next 2 st]4x. Draw up loop. Break yarn, leaving yarn tail. Turn inside out. Run yarn tail through loops around top edge. Pull through loop. Wrap a piece of yarn around one finger 15x. Stuff inside cherry, along with beg yarn tail. Draw top of cherry closed. Secure yarn end. **Stem:** Make 4. With KM crochet tool, pull 24" (61cm) strand of CC2 through top of cherry. With yarn doubled, ch 10. Tie on pocket between leaves as per photo. (If using buttons, run yarn through top of button and chain as above.)

CHILD'S HAT: CC1, CO over 145 (149, 153) ndls. T0/0 II, K3 circ rows. Set both carrs to Hold. Pull E6N both beds to HP beg 3rd (4th, 3rd) ndl on L. MC, T2/2 I, K4R. Release Hold on MB, K1R. Release Hold on ribber, K39R. Trans sts to MB. RC000, T5. K to RC038 (042, 050). Beg 3rd ndl on L, trans EOS to adj R ndl. Push empty ndls to NWP. T4, K5R. T3, K5R. Remove sts onto yarn tail. Block. Seam from top down through ½ of rib from right side. Finish seaming from wrong side. Make 5 each of leaves, cherries and stems as for pocket. Attach leaves around opening at top of hat (see photo) and a cherry between each two leaves.

DOLL'S OUTFIT

Sweater Back: K scallop rib as per NOTE 1 over 53 ndls, pulling E4N to HP both beds beg 4th ndl on L. Trans to MB and inc 1 st on L. K to RC024. Place sleeve marker both sides. K to RC060. Remove 20 center sts onto WY for neck, and 17 sts ea side for shoulders.

Right Front: K scallop rib as for back over 27 ndls. Trans to MB, K16R. Run vertical markers from RC001 to RC016 between sts 7/8 both sides. Push ndls L7-R7 to HP. With R.C., manually K these sts back to WP. K to RC024, place sleeve marker R side. K to RC046. *Neck Shaping:* COR. Set carr to Hold. Pull 3 ndls on L to HP. Dec 2 sts at neck edge EOR 2x then 1 st EOR 3x. K to RC060. Remove neck and shoulder sts onto WY. **Left Front:** K as for R Front, rev shaping. Block fronts.

Embellishments: *Leaf:* Make 4 as per NOTE 3. CC2, T4. E-wrap CO over 3 ndls. K6R. Dec 1 st ea side, K1R, BO. Sew to front of pocket as on child's sweater. *Cherry:* Make 4. CC1, T5. E-wrap CO over 4 ndls, K5R. Remove rem 4 sts onto yarn tail. Run tail through loops around edges and draw into a ball. Secure yarn ends. *Stem:* Take a 14" (35.5 cm) strand of CC2 and separate the plies. Run one ply through top of cherry. With KM crochet tool and yarn doubled, ch 6. Attach cherries to pocket as for child's sweater.

Pocket Lining: Wrong side facing and neck edge down, fold at R.C. marker. Hang 15 sts marked by R.C. on neck edge side on 14 ndls. RC000. Leave 6" (15cm) yarn tail, K16R. Without breaking yarn, remove onto WY.

Pocket Edging: Fold at R.C. marker as for lining. With CC1 and KM crochet tool, beg on L and rev crochet in rem sts marked by R.C. Remove R.C. Wrong side facing, neck edge down, fold at rib and hang sts between vertical markers from R1 on 14 ndls. Hang sts on bottom of lining on same ndls. Remove WY, BO. Attach sides of lining as for child's sweater. Remove markers. Tack down edging both sides. Repeat for L front.

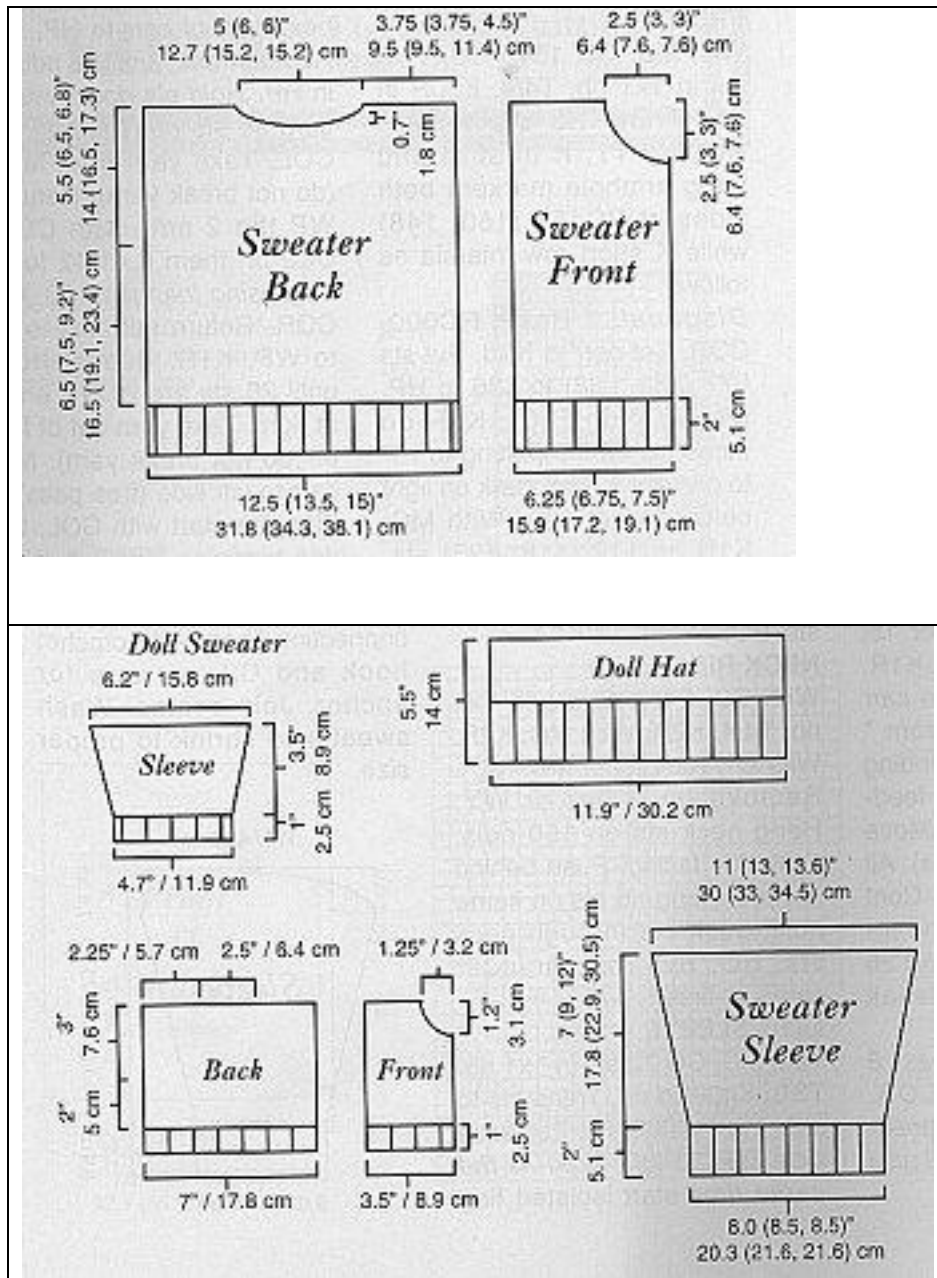
Bands: Steam pockets lightly. Join shoulders. Block back. *Neckband:* Wrong side facing, hang neck edge over 47 ndls. MC, T6, K1R from L to R over all sts. Trans EOS to ribber. T2/2 I, K6R. Trans to MB, BO, *Button Band:* Wrong side facing, hang sweater edge over 37 ndls. MC, T5, K1R. Then K as for Neckband. *Buttonhole Band:* K as for Button Band to RC003. Make 4 buttonholes by trans 1 st from ribber to MK E5N starting 2nd from L. Put empty ndls in NWP. K1R. PU loops from previous row and hang onto empty ndls. K to RC006 and finish as for Button Band.

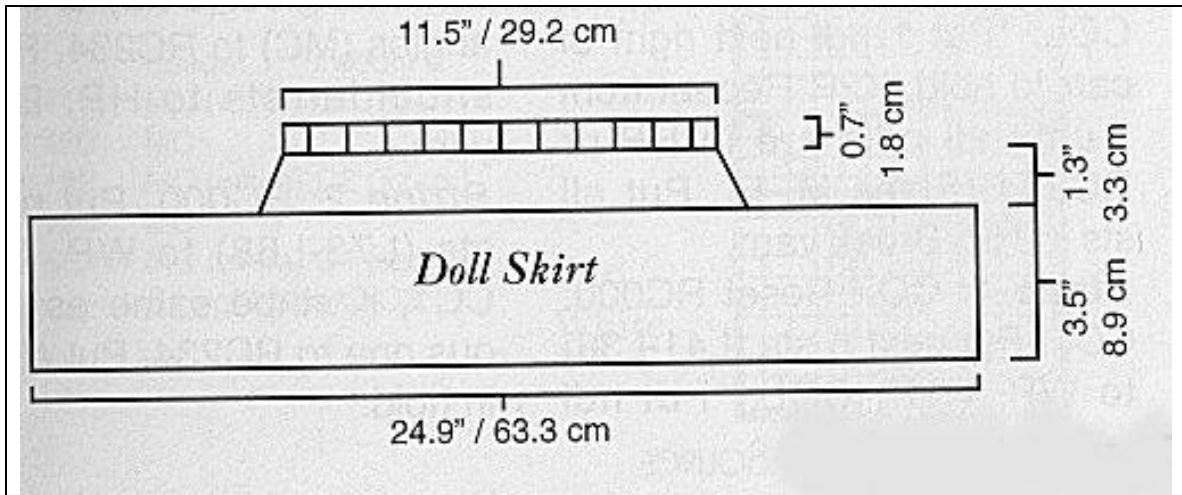
Sleeve: Make 2. K scallop rib as for back over 37 sts. Trans to MK, inc 1 st on L. RC000, T5. FF inc 1 st ea side E7R 5x (48 sts). K to RC 042. Remove onto G-bar or WY. Attach sleeves. Block sleeves and lightly steam bands. Sew side and sleeve seams, sew buttons on.

Skirt: Using 2 strands of CC1, e-wrap CO over 194 ndls. Break off one strand of yarn. T6, K1R. MC, T5. Set carr to Hold. Beg with 6th ndl on L, pull E8N to HP. K4R. Pull all ndls to HP. Release Hold, K1R. RC000. K to RC042. Remove on WY. Rehang over 97 ndls, putting 1 st on end ndl, e sts on #10 ea side, and 2 sts on rem ndls. RC000. K4R. FF dec ea side E4R 4x – 89 sts. K1R. COL. *Waistband Casing:* Set carr to slip. Pull EON to HP. K1R (marker row). Reset carr for st st. Trans EOS to ribber. T2/2 II, K8R. Trans st to MB. Rehang loops from marker row. BO around 2 gate pegs. Sew back seam, leaving an opening for elastic. Run elastic through casing and finish seam.

Hat: CC1, CO over 93 ndls for 1x1 rib. T0/0 II, K3 circ rows. Set both carrs to Hold. Pull E4N both beds to HP beg 4th ndl on L. MC, T2/2 I. K4R. Release Hold on MR, K1R. Release Hold

on ribber, K25R. Trans to MB. MC, T5. RC000. K24R. Beg 3rd ndl on L, move EOS to adj R ndl. Put empty ndls in NWP. T4, K4R. T3, K3R. Remove sts onto yarn tail. Seam from top down through 1/2 of rib from right side. Finish seaming from wrong side. Leaf: (see note #3) Make 5. CC2, T4. E-wrap CO over 5 ndls. K8R. Dec 1 st ea side, K1R. Dec to 1 st, K1R., BO. Steam leaves and attach to top of hat as in child's hat. Cherry: Make 5. CC1, T6. E-wrap CO over 4 ndls, K5R. Remove rem 4 sts onto yarn tail. Run tail through loops around edges and draw into a ball. Secure yarn ends. Stem: Take a 14" (35.5 cm) strand of CC2 and separate the plies. Run one ply through top of cherry. With KM crochet tool and yarn doubled, ch 10. attach cherries as for child's hat.





© Junebug Knits 2002
<http://www.junebugsplace.com>
Junebug@seanet.com