

FIGURE 1

(THERMALLY ENHANCED VARIATIONS ONLY)

JEDEC
SOLID STATE
PRODUCT OUTLINES

THIS STANDARD OUTLINE HAS BEEN PREPARED BY THE JEDEC JC-11 COMMITTEE AND REFLECTS A PRODUCT WITH ACCEPTANCE IN THE ELECTRONICS INDUSTRY; CHANGES ARE NOT LIKELY TO OCCUR.

VERY THICK PROFILE,
PLASTIC SMALL OUTLINE FAMILY,
1.27 mm PITCH, 7.50 mm BODY WIDTH

PACKAGE DESIGNATOR
B1R-PDSO/SOP/SOIC

ISSUE
E

DATE
SEP05

MS-013

SHEET
1 OF 5

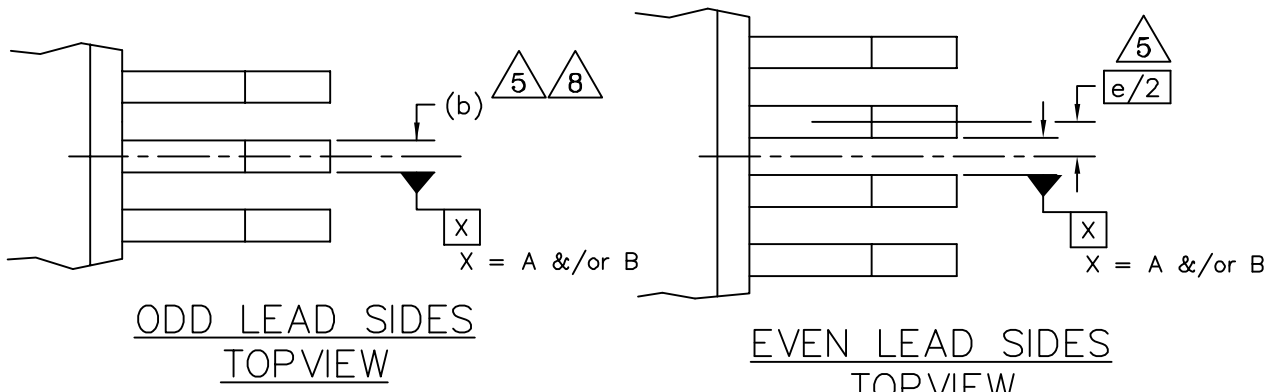
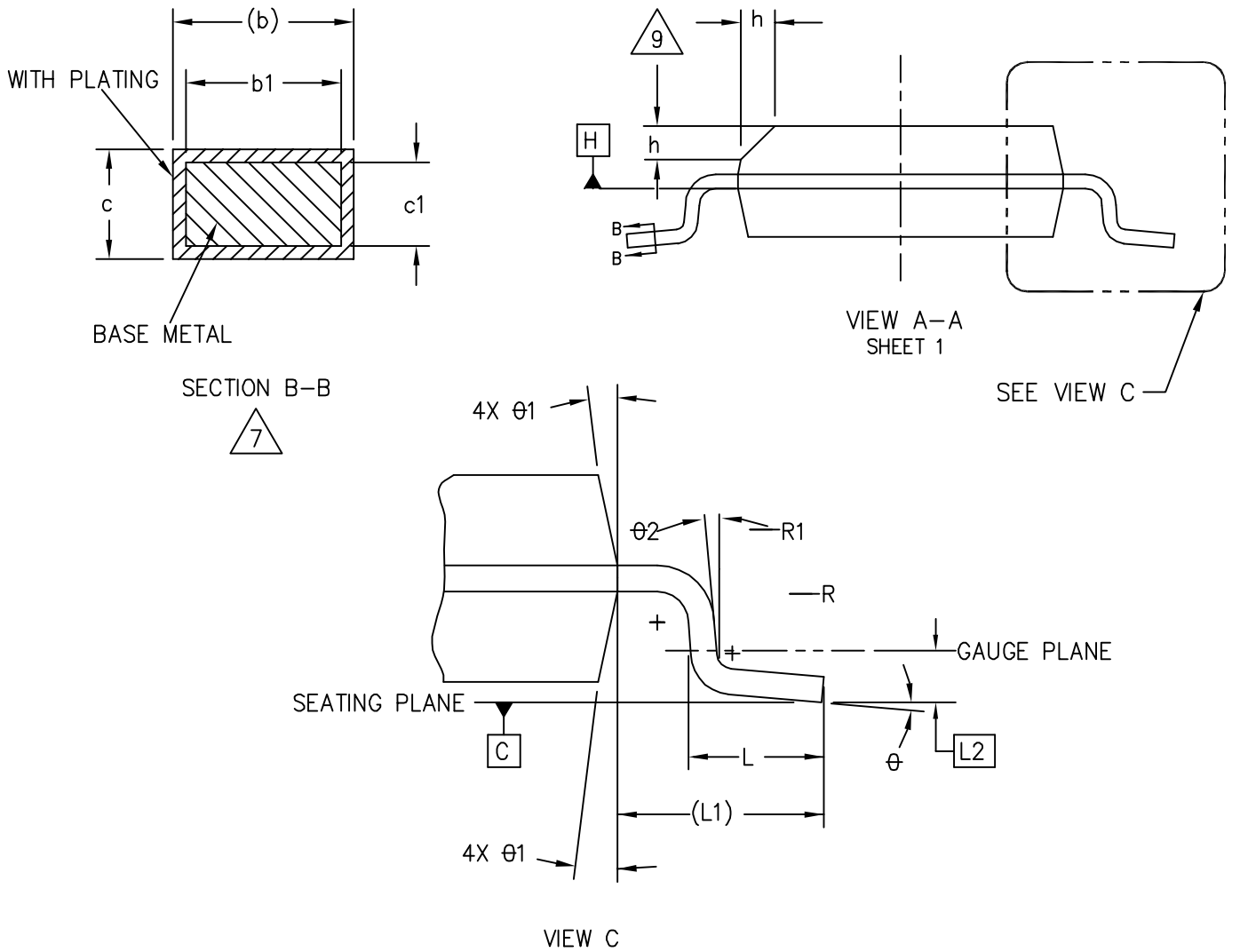


FIGURE 2

JEDEC SOLID STATE PRODUCT OUTLINES	TITLE VERY THICK PROFILE, PLASTIC SMALL OUTLINE FAMILY, 1.27 mm PITCH, 7.50 mm BODY WIDTH	ISSUE E	DATE SEP05	MS-013	SHEET 2 OF 5
--	---	------------	---------------	--------	-----------------

SYMBOL	COMMON DIMENSIONS			NOTE
	MIN	NOM	MAX	
A2	2.05	—	—	
b	0.31	—	0.51	7,8
b1	0.27	—	0.48	7,8
c	0.20	—	0.33	7
c1	0.20	—	0.30	7
E	10.30 BSC			
E1	7.50 BSC			3,4
e	1.27 BSC			
L	0.40	—	1.27	
L1	1.40 REF			
L2	0.25 BSC			
R	0.07	—	—	
R1	0.07	—	—	
h	0.25	—	0.75	9
θ	0°	—	8°	
$\theta 1$	5°	—	15°	
$\theta 2$	0°	—	—	
NOTE	1,2			
REF	11-720S			
ISSUE	E			

SYMBOL	TOLERANCES OF FORM AND POSITION	NOTE
aaa	0.10	
bbb	0.33	
ccc	0.10	
ddd	0.25	
eee	0.10	
fff	0.20	
ggg	0.15	
NOTE	1,2	
REF	11-720S	
ISSUE	E	

VARIATION TABLES

STANDARD

VARIATION SYMBOL	AA	AB	AC	AD	AE	AF	NOTE
A	MIN	---					
	NOM	---					
	MAX	2.65					
A1	MIN	0.10					10
	NOM	---					
	MAX	0.30					
D BSC	10.30	11.55	12.80	15.40	17.90	9.00	3,4
N	16	18	20	24	28	14	6
NOTE							
REF	11-720S						
ISSUE	E						

THERMAL

VARIATION SYMBOL	BA	BB	BC	BD	BE	BF	NOTE	
A	MIN	---						
	NOM	---						
	MAX	2.50						
A1	MIN	0.00					10	
	NOM	---						
	MAX	0.15						
D BSC	10.30	11.55	12.80	15.40	17.90	9.00	3,4	
D1	MIN	3.00	3.00	3.00	3.00	3.00	3.00	11
	NOM	---	---	---	---	---	---	
	MAX	---	---	---	---	---	---	
E2	MIN	2.00	2.00	2.00	2.00	2.00	2.00	11
	NOM	---	---	---	---	---	---	
	MAX	---	---	---	---	---	---	
N	16	18	20	24	28	14	6	
NOTE								
REF	11-720S							
ISSUE	E							

NOTES:

1. DIMENSIONING AND TOLERANCING PER ASME Y14.5M-1994.

2. DIMENSIONS IN MILLIMETERS (ANGLES IN DEGREES)



DIMENSION D DOES NOT INCLUDE MOLD FLASH, PROTRUSIONS OR GATE BURRS. MOLD FLASH, PROTRUSIONS OR GATE BURRS SHALL NOT EXCEED 0.15 mm PER END. DIMENSION E1 DOES NOT INCLUDE INTERLEAD FLASH OR PROTRUSION. INTERLEAD FLASH OR PROTRUSION SHALL NOT EXCEED 0.25 mm PER SIDE. D AND E1 DIMENSIONS ARE DETERMINED AT DATUM H



THE PACKAGE TOP MAY BE SMALLER THAN THE PACKAGE BOTTOM. DIMENSIONS D AND E1 ARE DETERMINED AT THE OUTERMOST EXTREMES OF THE PLASTIC BODY EXCLUSIVE OF MOLD FLASH, TIE BAR BURRS, GATE BURRS AND INTERLEAD FLASH, BUT INCLUDING ANY MISMATCH BETWEEN THE TOP AND BOTTOM OF THE PLASTIC BODY.



DATUMS A & B TO BE DETERMINED AT DATUM H.

6 "N" IS THE MAXIMUM NUMBER OF TERMINAL POSITIONS FOR THE SPECIFIED PACKAGE LENGTH.



THE DIMENSIONS APPLY TO THE FLAT SECTION OF THE LEAD BETWEEN 0.10 TO 0.25 mm FROM THE LEAD TIP.



DIMENSION 'b' DOES NOT INCLUDE DAMBAR PROTRUSION. ALLOWABLE DAMBAR PROTRUSION SHALL BE 0.10 mm TOTAL IN EXCESS OF THE "b" DIMENSION MAXIMUM MATERIAL CONDITION. THE DAMBAR MAY NOT BE LOCATED ON THE LOWER RADIUS OF THE FOOT.



THIS CHAMFER FEATURE IS OPTIONAL. IF IT IS NOT PRESENT, THEN A PIN 1 IDENTIFIER MUST BE LOCATED WITHIN THE INDEX AREA INDICATED



'A1' IS DEFINED AS THE VERTICAL DISTANCE FROM THE SEATING PLANE TO THE LOWEST POINT ON THE PACKAGE BODY EXCLUDING THE LID AND OR THERMAL ENHANCEMENT ON CAVITY DOWN PACKAGE CONFIGURATIONS.



'D1' AND 'E2' MINIMUM DIMENSIONS OF THERMALLY ENHANCED TYPES ARE VARIABLES DEPENDING ON DEVICE FUNCTION (DIE PADDLE SIZE). 'D1' AND 'E2' MAXIMUM DIMENSIONS CAN BE EQUAL TO 'D' AND 'E1' MAXIMUM DIMENSIONS. END USER SHOULD VERIFY ACTUAL SIZE OF EXPOSED THERMAL PAD FOR SPECIFIC DEVICE APPLICATION.

JEDEC SOLID STATE PRODUCT OUTLINES	TITLE VERY THICK PROFILE, PLASTIC SMALL OUTLINE FAMILY, 1.27 mm PITCH, 7.50 mm BODY WIDTH	ISSUE E	DATE SEP05	MS-013	SHEET 4 OF 5
--	---	------------	---------------	--------	-----------------

Change Record

If the change involves any words added or deleted (excluding deletion of accidentally repeated words), the change is included. Punctuation changes may or may not be included.

Initial Issue:	Date:	Item:
--	--	--

Revision History

Issue: E	Date: SEP05	Item: 11.11-720S
Location	Changed from:	Changed to:
Page 3, Variation Tables	6-Non Thermal Options AA to AF	Add 6- Thermal Options BA to BF
Page 1, Bottom View	Top View, Side View	Add Bottom View to show Exposed Thermal Pad Zone

Issue:	Date:	Item:
Location	Changed from:	Changed to:

Issue:	Date:	Item:
Location	Changed from:	Changed to: