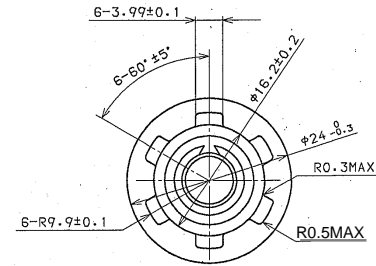
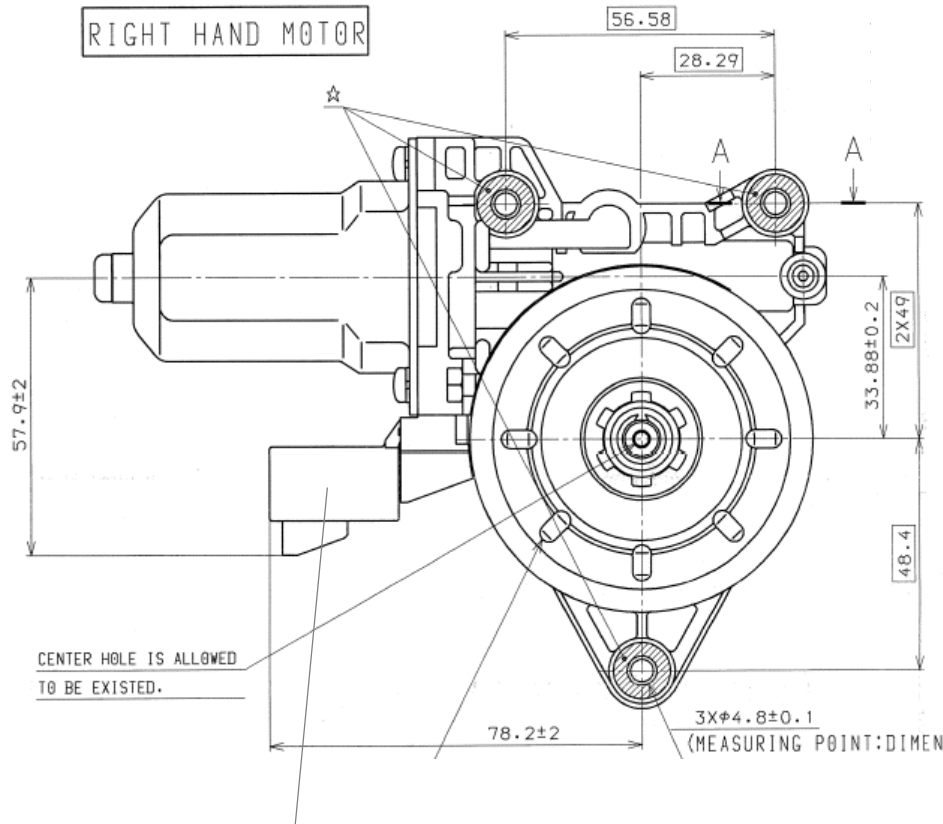
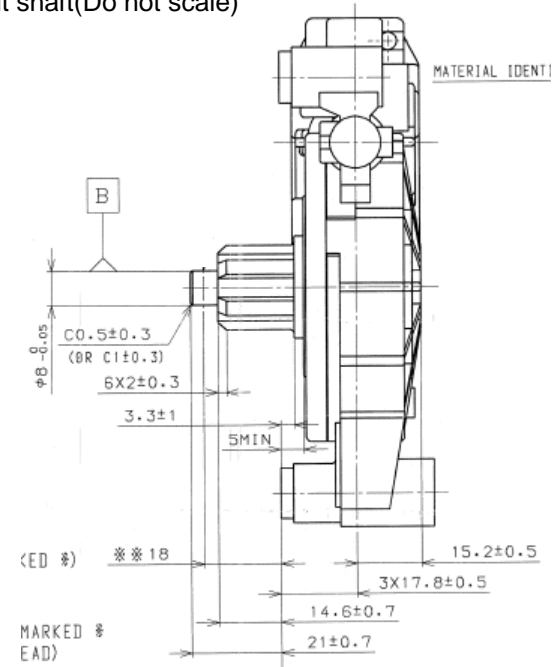


# Motor Outline



Output shaft (Do not scale)



Connector: Packard Part Number 12129487  
 Mating connector Part Number - 12129486

Left hand motor is symmetrically opposite

# Motor Torque-Speed Characteristics

