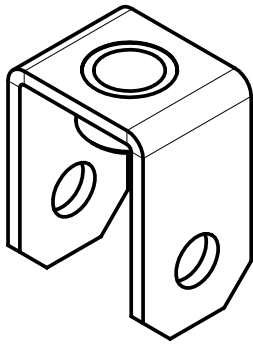


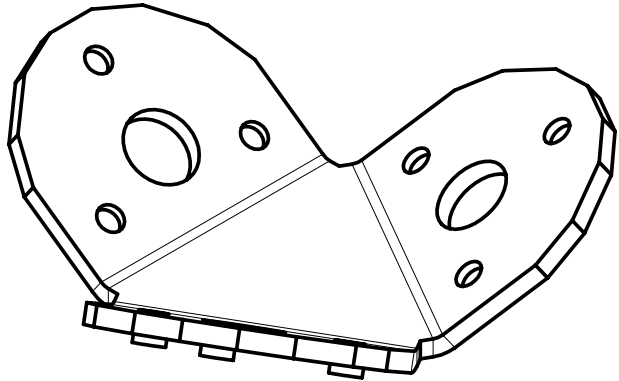
PROPRIETARY INFORMATION

Innovation First, Inc.

DATE	2004 Dec 23	PAGE	1 OF 3
DWG	FIRST-2005 Tet Goal	REV	A
TITLE	Tetrahedron Goal Assembly		



Pipe-Nut



Clover Coupler

Tetrahedron Goal Parts (Provided):

- (4) Clover Coupler
- (12) Pipe-Nuts
- (12) Roll-Pins
- (12) 3/8 Bolts

Center Goal Parts (From Hardware Store)

- (6) 72" Grey Conduit PVC Pipe, 1-1/4, SCH 40

Note: Center goal requires (6) 10ft. pipes

Innovation First, Inc.

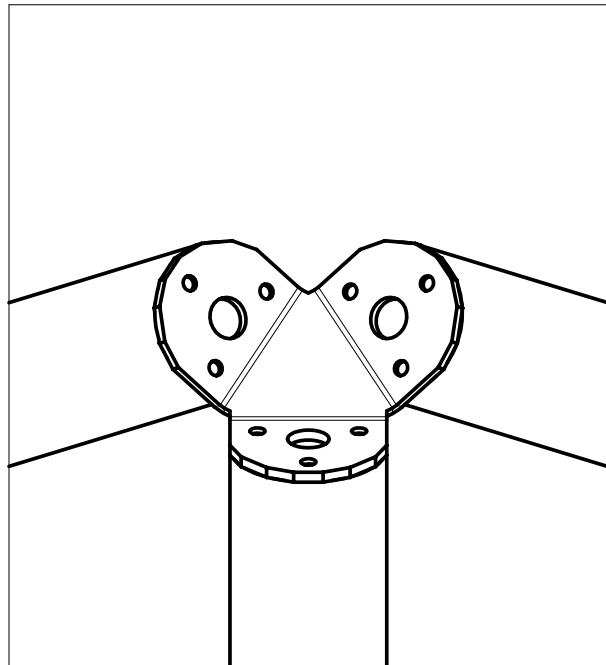
DATE	2004 Dec 23	PAGE	2 OF 3
------	-------------	------	--------

DWG	FIRST-2005 Tet Goal	REV	A
-----	---------------------	-----	---

TITLE	Tetrahedron Goal Assembly
-------	---------------------------

PROPRIETARY INFORMATION

Clover Coupler (each corner)



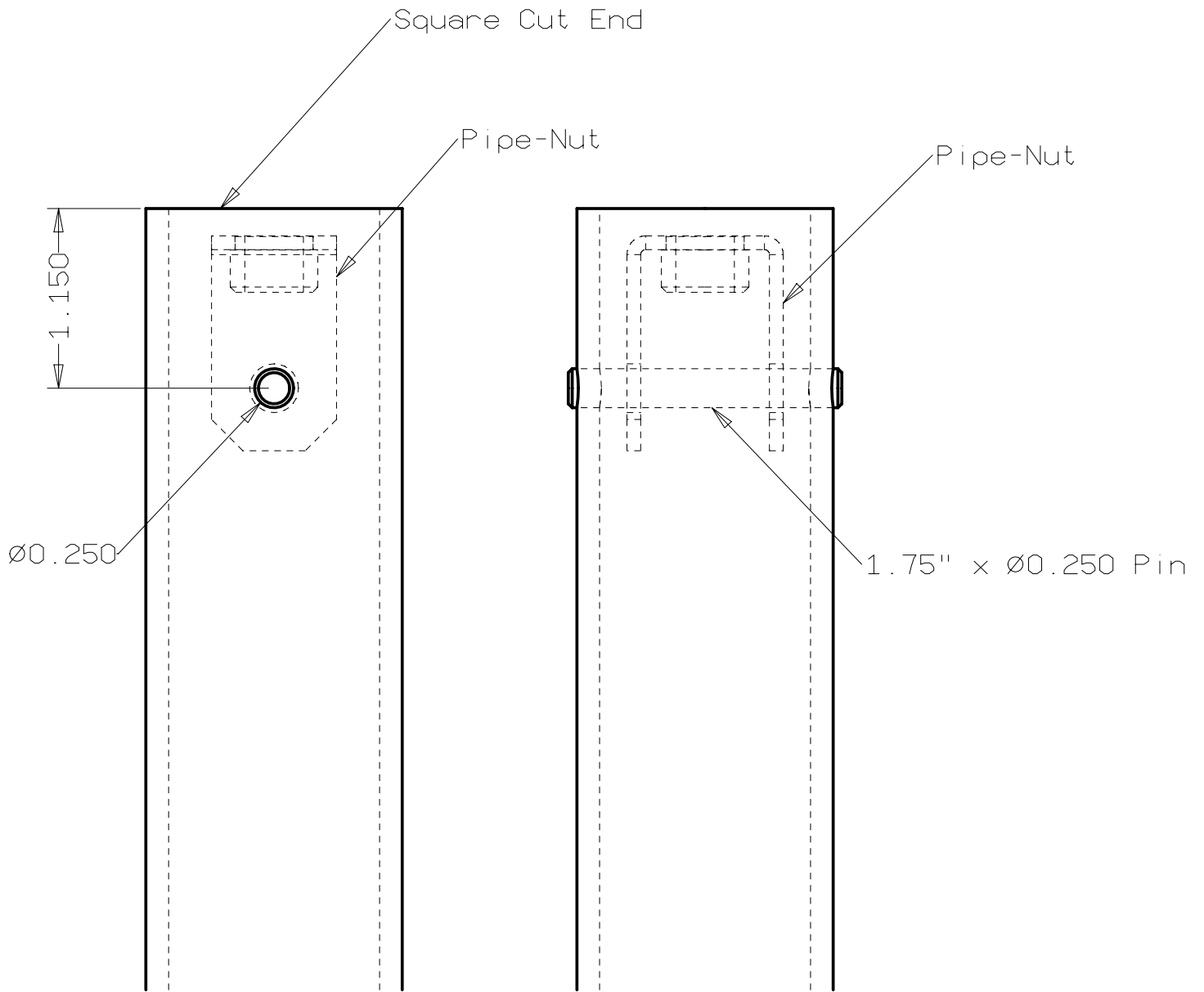
PROPRIETARY INFORMATION

Innovation First, Inc.

DATE	2004 Dec 23	PAGE	3 OF 3
------	-------------	------	--------

DWG	FIRST-2005 Tet Goal	REV	A
-----	----------------------------	-----	----------

TITLE	Tetrahedron Goal Assembly
-------	----------------------------------



Notes:

1. Cut pipe to length. Be sure ends are square.
2. Drill a 0.250 hole in each end of each pipe.
The hole should be as close to the center as possible.
The hole should be 1.15 from the end.
3. Using a hammer, tap the pin into the pipe and thru one Pipe-Nut.
4. Repeat for the opposite end.

PROPRIETARY INFORMATION

Innovation First, Inc.

DATE	2004 Dec 23	PAGE	1 OF 1
DWG	FIRST-2005 Pipe Mod	REV	A
TITLE	Install PipeNuts into Pipe		