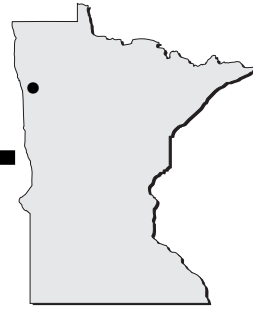


## Crookston - CKN

---



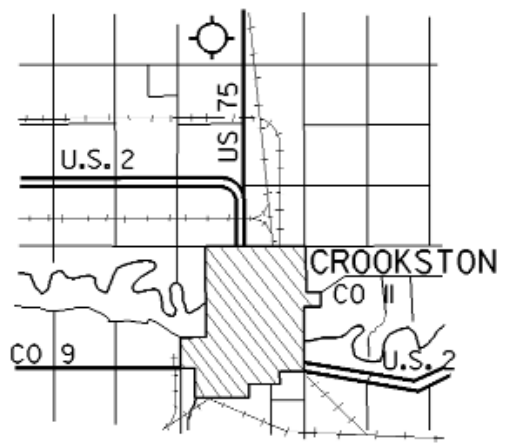
- Airport Manager:** Lowell Miller - 218-281-2625 - [cknairport@rrv.net](mailto:cknairport@rrv.net)
- Contact Person:** Lowell Miller - 218-281-2625 - [cknairport@rrv.net](mailto:cknairport@rrv.net)
- Chamber of Com:** 800-809-5997 - [www.visitcrookston.com](http://www.visitcrookston.com)
- Aero Cht Coord:** 5-B
- AWOS/ASOS:** 218-281-3018 - NDB 400
- MnWAS Loc/Hrs:** Crookston Aviation - 24 hours
- Attended:** All/All/Daylight
- Fuel:** 100LL, Jet A
- Self Service Fuel:** Visa, Mastercard, In House, Discover
- After Hrs Service:** 218-281-2625
- FBO(s):** Crookston Aviation - 218-281-2625 - 122.7 - [cknairport@rrv.net](mailto:cknairport@rrv.net)
- Ground Transport:** Courtesy car  
Rentals at Salem Motor - 218-281-1338
- Food Service:** Vending machines
- Dining:** Northland Inn - 218-281-5210 - 3 miles
- Lodging:** Northland Inn - 218-281-5210 - 3 miles  
AmericInn - 218-281-7800 - 3 miles
- Airport Events:** Pancake Breakfast - September
- Underwing Camp:** Yes
- Campgrounds:** Municipal campground  
Maple Lake County Park
- Golf Courses:** Minakwa Golf Course  
Climax Golf Course
- Local Attractions:** Oxcart Days  
Maple Lake
- Comments:** Additional after hours service phone - 218-693-1095

FIELD ELEV. 899'

(CKN)

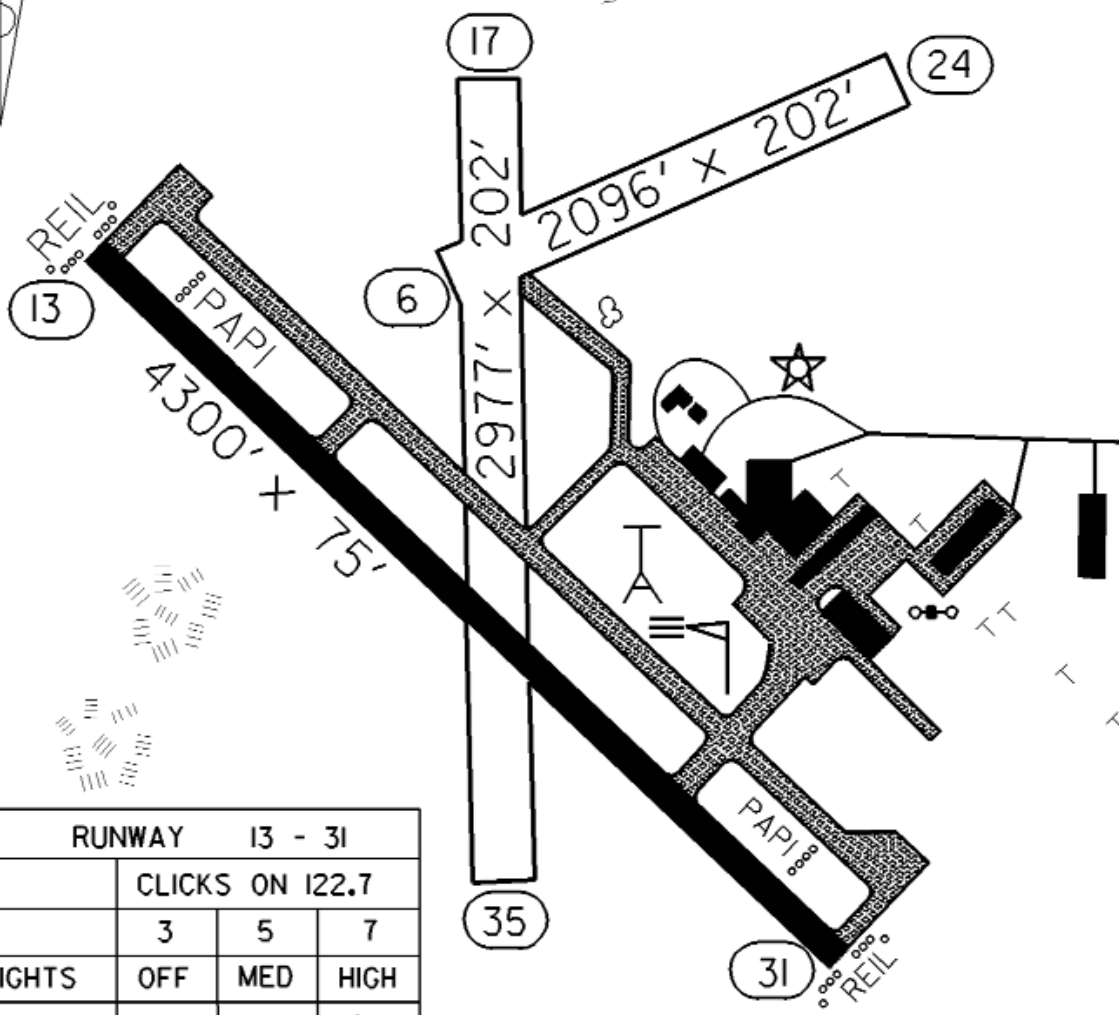
CROOKSTON

VICINITY MAP



SEC. CH: TWIN CITIES (N)  
 LAT: 47° 50.5'  
 LONG: 96° 37.3'  
 COMM: CTAF: 122.7 (L)  
 AWOS: 400 NDB  
 GRAND FORKS APP: 118.1  
 GF CLNC DEL: 118.15  
 RNAV: (GFK 114.3) R097 D23.8  
 NDB: (CKN) 400  
 TPA: 1699' (800')  
 APPROACH: GPS, NDB, RNAV, VOR

N  
 VARIATION  
 5° E



RUNWAY 13 - 31			
	CLICKS ON 122.7		
	3	5	7
LIGHTS	OFF	MED	HIGH
REIL	OFF	ON	ON
PAPI (13)	ON	ON	ON

DAYLIGHT: TO GET LOW CLICK TO '7' FIRST THEN '3'

CROOKSTON MUNICIPAL AIRPORT  
 (KIRKWOOD FIELD)

CROOKSTON