

# RACE INVITATION

## NORDIC COMBINED FIS CONTINENTAL CUP

December 16 -18, 2008  
WHISTLER OLYMPIC PARK, BRITISH COLUMBIA, CANADA





## Technical Information

### Organizing Committee

Event Director	John Heilig
Nordic Combined Ski Canada	Tannis Carlson
Canadian Snowsports Association	David Pym
Callaghan Local Organizing Committee	Denise Imbeau

### Competition Committee

Chief of Competition	Mark Servold
Chief of Course	Peadar O Riain
Chief of Hill	Jon Servold
Chief of Secretariat	Nina Hooper-Reid
Chief of Calculations	Walt Savill
Chief of Stadium	Dean Imbeau

### FIS Officials

FIS COC Coordinator	Toni Guggemoos (FIS)
Technical Delegate	Gunter Csar (AUT)
Technical Delegate Assistant	Mark Rolseth (CAN)

### Waxing Facilities

Waxing facilities are provided at Whistler Olympic Park in accordance with Continental Cup Rules (2008-09)

### Course Descriptions

Maps of the venue, stadium, ski hill and courses including profile descriptions are available on the website: [www.boldtracks.com/fis/home.php](http://www.boldtracks.com/fis/home.php)

### Liability / Insurance

The organizer cannot be held liable for any damages done to persons or material/equipment. All participants must be covered by sufficient health, accident and liability insurance.

## Event Schedule

### FIS Continental Cup Nordic Combined Whistler Olympic Park (subject to change)

<b>Monday</b>	<b>15<sup>th</sup> December 2008</b>	
18:00	Arrival of Teams Team Captains Meeting	Vancouver/Squamish Host hotel, Squamish
<b>Tuesday</b>	<b>16<sup>th</sup> December 2008</b>	
9:00-11:00	HS106 Official Training	Whistler Olympic Park
12:00-14:00	CC Official Training	
18:00	Team Captains Meeting	Host hotel, Squamish
<b>Wednesday</b>	<b>17<sup>th</sup> December 2008</b>	
9:00	HS 106 Competition	Whistler Olympic Park
14:00	10km race	
18:00	Team Captains Meeting	Host hotel, Squamish
<b>Thursday</b>	<b>18<sup>th</sup> December 2008</b>	
9:00	HS 106 Competition	Whistler Olympic Park
14:00	10km race	
<b>Friday</b>	<b>19<sup>th</sup> December 2008</b>	
	Departure of Teams	Squamish/Vancouver

## Accommodation

**Please fill out Form A by NOVEMBER 1**

Reservations for athletes and other team members at the host hotel must be made using **Form A**. Information about other accommodation available is provided below. **Please note the organizers are providing accommodation at FIS rates in Squamish at the host hotel only.**

### Other Squamish Accommodation

[www.tourismsquamish.com/lodging-squamish](http://www.tourismsquamish.com/lodging-squamish)

### Other Whistler Accommodation

[www.tourismwhistler.com](http://www.tourismwhistler.com)  
[www.whistlerblackcomb.com](http://www.whistlerblackcomb.com)  
[www.whistler.com](http://www.whistler.com)  
[www.alluradirect.com](http://www.alluradirect.com)



## Transportation

Please fill out Form B by **NOVEMBER 1**

### Transportation Provided by the Organizing Committee

To and From Whistler Olympic Park: Bus transportation will be provided between host hotel in Squamish and Whistler Olympic Park (about a 35 minute drive by car) from 16-18 December, 2008.

### Airport Shuttle Service

Transportation from the airport to the host hotel in Squamish is not provided by the organizing committee. However, there are shuttle services offering bus and van service between Vancouver International Airport and the host hotel. Contact [info@tourismsquamish.com](mailto:info@tourismsquamish.com) phone 1-604-815-5084 or the web at: [www.tourismsquamish.com](http://www.tourismsquamish.com) for details or to make bookings.

### Team Van Rental

If teams would prefer to rent their own vehicles, the companies listed below are some of those that offer vehicle rental out of Vancouver International Airport or nearby (for more information, see: [http://www.yvr.ca/guide/toandfrom/car\\_rentals.asp](http://www.yvr.ca/guide/toandfrom/car_rentals.asp)). As shown on Form B, the Organizing Committee would be grateful to be made aware of each team's plans with respect to using this type of independent transport.

Company	Vancouver/Airport	Toll free Worldwide	Website
Budget	Ground floor of parkade, near terminal	800-314-5885	<a href="http://www.budget.com/budgetWeb/home/home.ex">http://www.budget.com/budgetWeb/home/home.ex</a>
Enterprise	Pick up location, Economy parking lot	800-736-8222	<a href="http://www.enterprise.com/car_rental/home.do">www.enterprise.com/car_rental/home.do</a>
Avis	Ground floor of parkade, near terminal	800-879-2847	<a href="http://www.avis.com/AvisWeb/home/AvisHome">www.avis.com/AvisWeb/home/AvisHome</a>
Hertz	Ground floor of parkade, near terminal	800-654-3131	<a href="http://www.hertz.com">www.hertz.com</a>
Alamo	Ground floor of parkade, near terminal	800-844-9041	<a href="http://www.alamo.ca/">www.alamo.ca/</a>
National	Ground floor of parkade, near terminal	800-227-7368	<a href="http://www.nationalcar.ca/">www.nationalcar.ca/</a>

### Drivers Licence Requirements for Tourists

Non-resident drivers who hold a valid driver's licence from their home jurisdiction may drive in B.C. with their out-of-province driver's licence for a maximum of six months. This applies regardless of whether they hold a valid international driving permit. A special class of licence is required to drive vehicles with a seating capacity of over 10 people (including the driver). For more information contact the Driver Licensing Information line at 1-800-950-1498 (<http://www.icbc.com/help/contact.asp#7>)

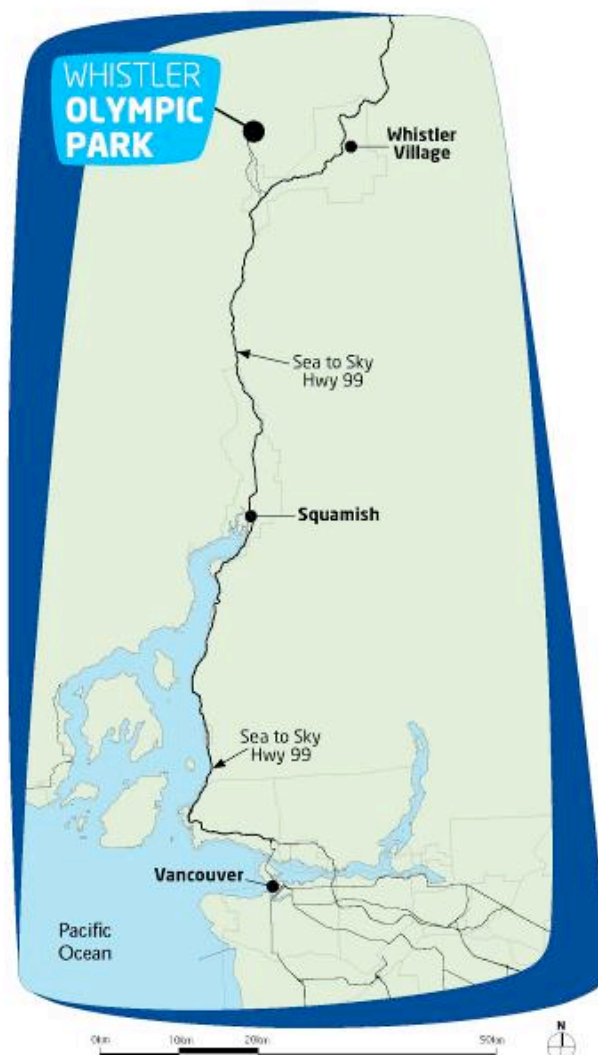
## Travel & Visitor Information

Whistler Olympic Park, the venue for Nordic Events of the 2010 Olympic and Paralympic Winter Games, is located in the Callaghan Valley, in southwest British Columbia. Lying at an elevation of 840-930 m, the average temperature at the venue during this time period hovers around zero degrees, Winds are typically below 3 metres per second and natural snowfall can vary from a few centimetres to more than a metre. The towns of Whistler (16 km northeast of the venue) and Squamish (50 km south of the venue) both offer a full range of accommodation and services. The closest International Airport is in Vancouver, B.C., 115 kilometres to the south.

### Distances

#### From Whistler Olympic Park:

- to Sea to Sky Highway: 10 km (10 minutes)
- to Squamish, along Sea to Sky Highway: 45 km (35 minutes)
- to Whistler, along Sea to Sky Highway: 10 km (15 minutes)



## General Visitor Information

### Visa Information for Entering Canada:

#### Nations requiring a visa to enter Canada:

**BLR** [http://geo.international.gc.ca/canada-europa/poland/pdf/b\\_trv\\_appl\\_guide\\_en.pdf](http://geo.international.gc.ca/canada-europa/poland/pdf/b_trv_appl_guide_en.pdf)

**CHN** <http://geo.international.gc.ca/asia/china/immigration/default-en.asp>

**RUS** <http://www.dfait-maeci.gc.ca/missions/russia-russie/visas/visas-2-eng.asp>

**UKR** <http://dfait-maeci.gc.ca/canada-europa/ukraine/cometocanada-en.asp>

#### *Procedure:*

Please inform the organizing committee by **October 22<sup>nd</sup>** if you require an invitation letter from the organizer for a visa. Please provide a list of the names of team members to be included in the visa application.

The requests must be submitted to the Canadian embassies in time. **Please be aware that processing time at Canadian Embassies differ from country to country and may take several months.** Check with the relevant embassy for more information.

### Currency

The currency in Canada is the Canadian dollar and its use is recommended. Canadian banks, trust companies or foreign currency exchange outlets offer the prevailing rate of exchange. Electronic banking machines are widely available.



## FORM A

### FIS CONTINENTAL CUP NORDIC COMBINED

#### WHISTLER OLYMPIC PARK

December 16-18, 2008

#### Hotel Booking Form

Kindly fill out this form and send it back to the organizing committee by November 1<sup>st</sup>, 2008:

**Attention: Amanda Cohen, Nordic Sport Assistant**

**Fax: 01 778 328-6305**

**E-mail: [sport@nordiccombined-vancouver.com](mailto:sport@nordiccombined-vancouver.com)**

Team: \_\_\_\_\_

Name of Team Leader: \_\_\_\_\_

Country: \_\_\_\_\_

Tel. (Mobile): \_\_\_\_\_

Fax: \_\_\_\_\_

E-Mail: \_\_\_\_\_

Arrival Date: \_\_\_\_\_ Time: \_\_\_\_\_

Departure Date: \_\_\_\_\_ Time: \_\_\_\_\_

Total Number of Persons: \_\_\_\_\_

#### Requested Rooms

Double:

Single:

Total Number of Rooms:

Accommodation expenses will be covered by the organizer according to the FIS World Cup Rules. If blocked rooms are not used full price will be charged.

## FORM B

### FIS CONTINENTAL CUP NORDIC COMBINED

#### WHISTLER OLYMPIC PARK

December 16-18, 2008

#### Transportation Booking Form

Kindly fill out this form and send it back to the organizing committee by November 1<sup>st</sup>, 2008:

Attention: Amanda Cohen, Nordic Sport Assistant

Fax: 01 778 328-6305

E-mail: [sport@nordiccombined-vancouver.com](mailto:sport@nordiccombined-vancouver.com)

Team/Country: \_\_\_\_\_

Name of Team Leader: \_\_\_\_\_

Tel. (Mobile): \_\_\_\_\_

E-Mail: \_\_\_\_\_ Fax: \_\_\_\_\_

Will you take advantage of the organizing committee daily shuttle service from the hotel to Whistler Olympic Park?

Yes

No

If yes how many individuals require transportation? \_\_\_\_\_

#### Flight Information

Number of Travellers	
Date and Time of Arrival	Flight Number/Airline
Number of general bags (luggage)	Number of Ski bags
Date and Time of Departure	Flight Number/Airline

If you require airport/hotel transfers please contact: [info@tourismsquamish.com](mailto:info@tourismsquamish.com) phone 1-604-815-5084 or the web at: [www.tourismsquamish.com](http://www.tourismsquamish.com)





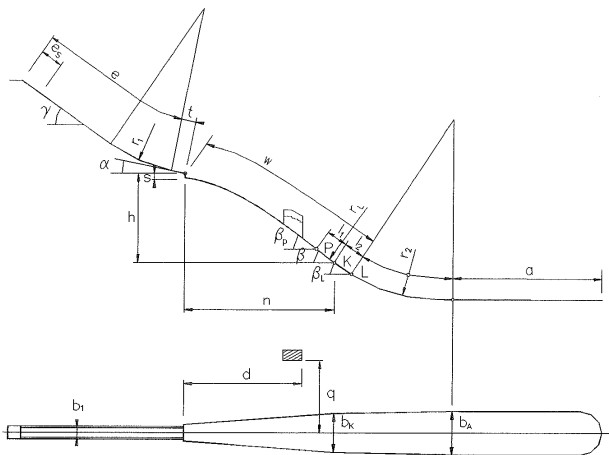


FÉDÉRATION INTERNATIONALE DE SKI  
INTERNATIONAL SKI FEDERATION  
INTERNATIONALER SKI - VERBAND



No. 359 / CAN 16 Vorläufiges Zertifikat  
**CERTIFICATE OF JUMPING HILL**  
**CERTIFICAT DE CONFORMITE**  
**SCHANZENPROFILBESTÄTIGUNG**

Date of issue	26.11.2007	Valid till	31.12.2008
Établi le		Valable jusqu' au	
Ausgestellt am		Gültig bis	
Place:	Callaghan / Whistler Nordic	Name:	Olympic Hills
HS =	106m	h/n	0.550
		Vo =	24.6 m/s



e = 87.3 m	l <sub>1</sub> = 10.65 m	P = 84.35 m
e <sub>s</sub> = 23.5 m	l <sub>2</sub> = 10.65 m	K = 95 m
t = 6.1 m	a = 100 m	L = 105.65 m
γ = 35 °	β <sub>p</sub> = 36.5 °	b <sub>1</sub> = 2.45 m
α = 11.0 °	β = 34.0 °	b <sub>K</sub> = 20 m
r <sub>1</sub> = 90 m	β <sub>L</sub> = 31.5 °	b <sub>A</sub> = 22 m
h = 45.55 m	r <sub>L</sub> = 244 m	d = 59 m
n = 82.83 m	r <sub>2</sub> = 115 m	q = 26 m
s = 2.38 m		

**Remarks/Remarques/Bemerkungen:**

Die Schanze ist noch nicht komplett fertiggestellt, nach endgültiger Fertigstellung wird das Zertifikat für weitere 5 Jahre verlängert.

JUMPING HILL APPROVED BY THE FIS  
TREPLIN HOMOLOGUE PAR LA FIS  
DURCH DIE FIS GENEHMIGTE SPRUNGSCHANZE

SUB-COMMITTEE FOR JUMPING HILLS

CHAIRMAN:

