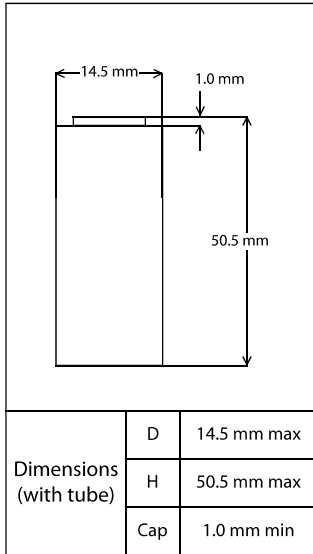


Specifications



Type:	Sealed Nickel-Zinc Battery		Size:	AA
Capacity ₁₎	Typical	1500 mAh		
	Minimum	1350 mAh		
Nominal Voltage		1.65V		
Charging Current x Time	Fast Charge ₂₎	C/2 to C rate in Amps to 1.9V/cell taper charge and cut-off		
Ambient Temperature	Charge Condition	Fast Charge ₂₎	0°C - 40°C	
	Discharge Condition		0°C - 50°C	
	Storage Condition	Less than 30 days	-20°C - 50°C	
		Less than 90 days	-20°C - 40°C	
Less than 1 year		-20°C - 30°C		
Internal Impedance ₃₎ (after discharge to E.V.=1.0)		≤ 20mΩ (at 1000 Hz)		
Weight ₄₎		About 25.0g		
Size ₄₎ : (Diameter) x (Height)		14.5(D) x 50.5(H) mm max		

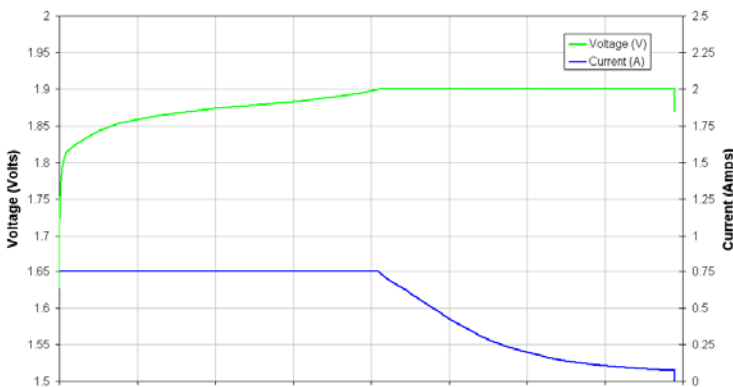
1) Single cell capacity under the following condition:
Per charging description
2) Use Recommended Charging System

3) After a few charge and discharge cycles under the 1) condition
4) With tube.

Typical Characteristics

Charge

Charge Characteristics at 25°C



Power Genix Nickel-Zinc Charge Procedure

Two Step Charge

- Constant Current: From C/2 to C rate in Amps to 1.9V/Cell
- Constant Voltage: 1.9V/Cell to Current < 75mA

Fault Conditions (Cut-off)

- Total charge time exceeds 2.5 hrs
- Temperature of the cell rises by more than 15°C
- Voltage is less than 1.6V

Temperature Compensated Charge Procedure

Two Step Charge

- Temp. Compensated Voltage (TCV)=1.90-(0.003x(T-25°C)) V/Cell
- Constant Current C Rate to TCV
- Constant Voltage TCV to I < 75mA

Fault Conditions

- Stop Charge if the any of the following conditions occur:
- Total charge time exceeds 2.5 hrs
 - Temp. of the cell rises by more than 15°C
 - Temp. of the cell exceeds 40°C
 - Voltage is less than 1.6V

Discharge

Voltage vs. Capacity at 25°C

