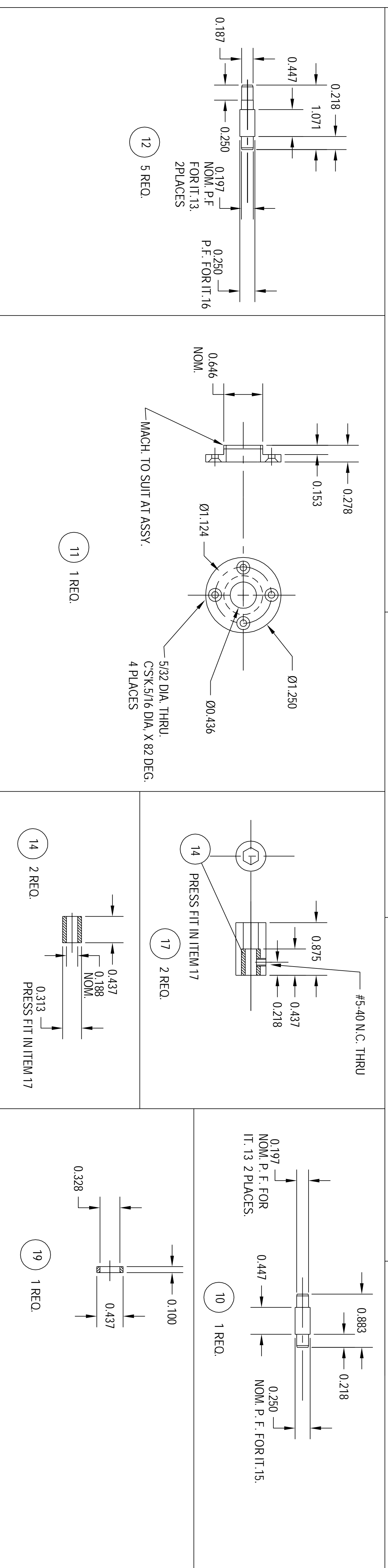
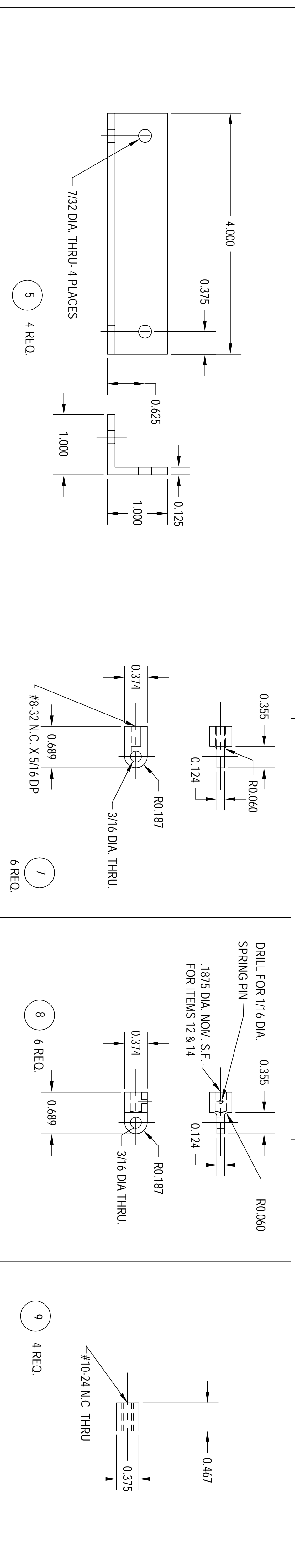
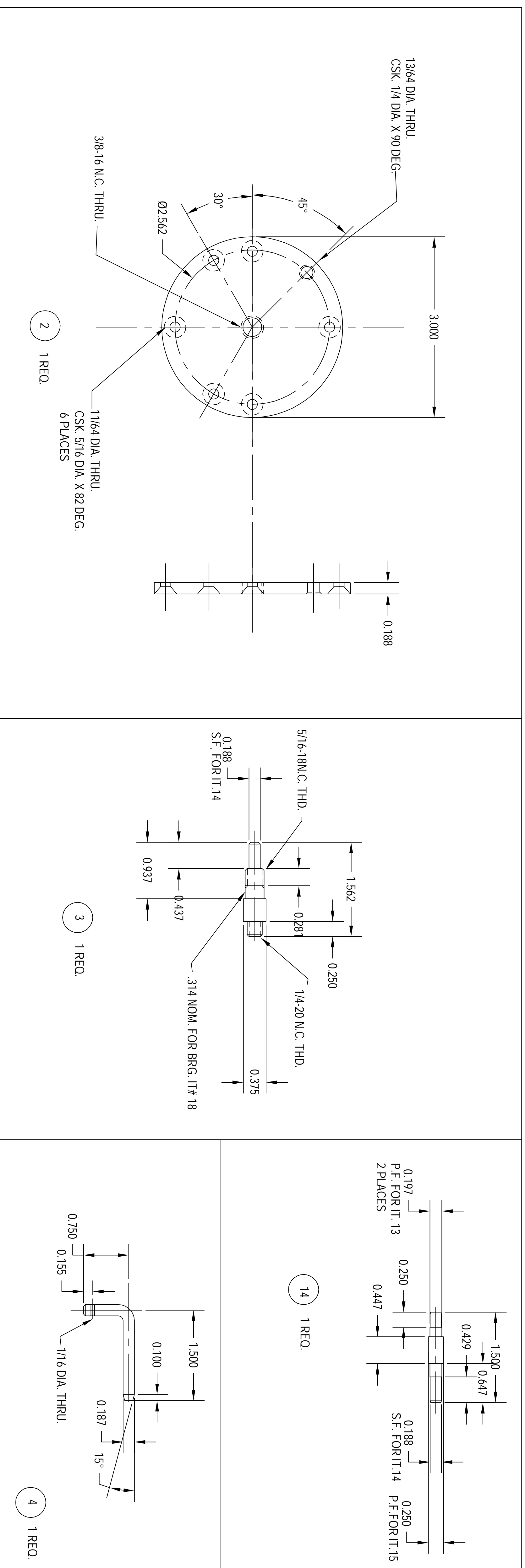


NOTES.

1. SEE DWG # 1022 SHEET 1 FOR ASSEMBLY.



REVISION	DESCRIPTION	DATE
A	REDESIGNED	14 APR. '03

DWG. TITLE:
ROPE WALK - DETAILS

DRAWN	DATE	SCALE	DWG. NO.	REV.
K.H.	OCT. 2002	FULL	1022 SHEET 2 OF 2	A