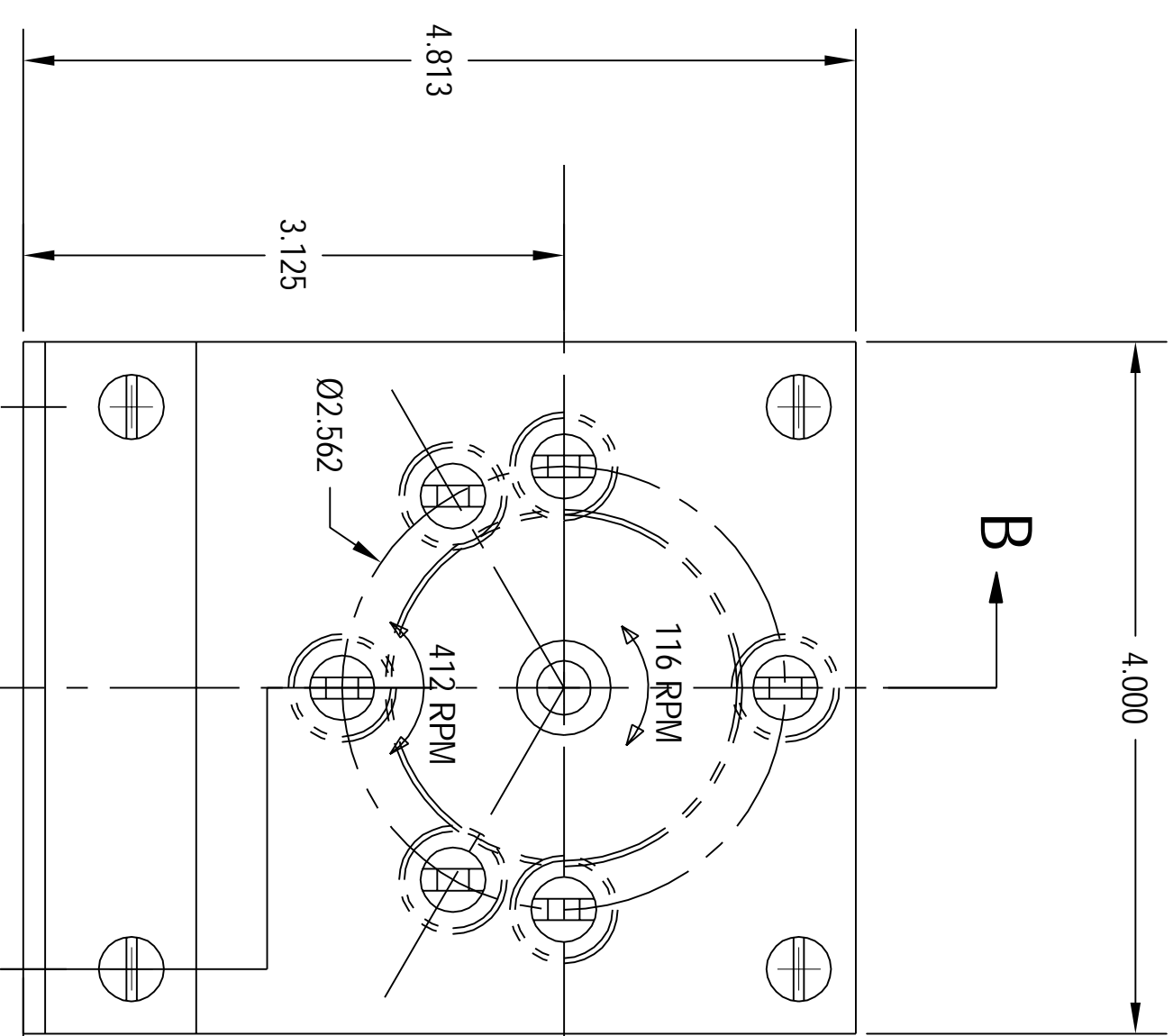
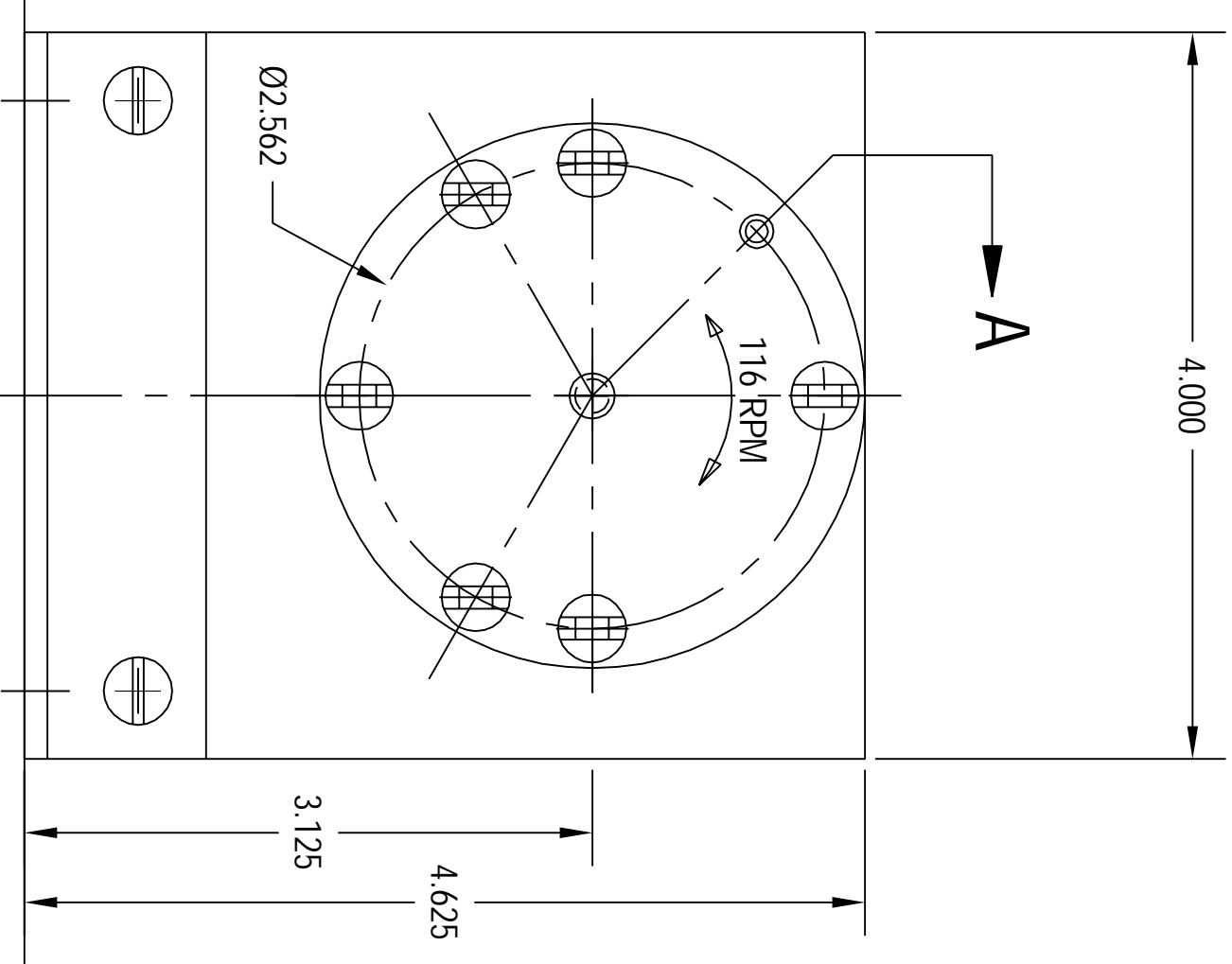
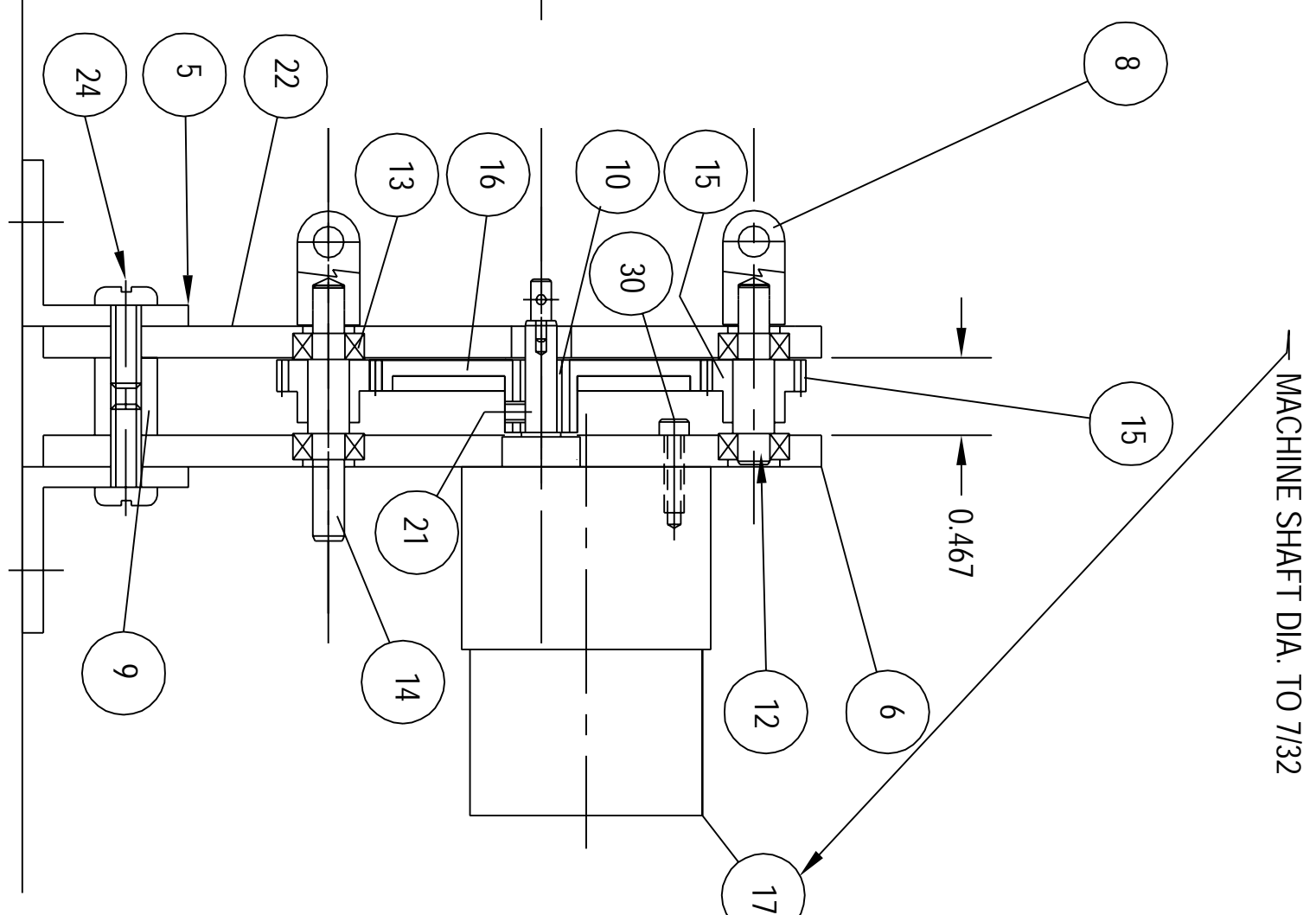


A - A

LOOPER

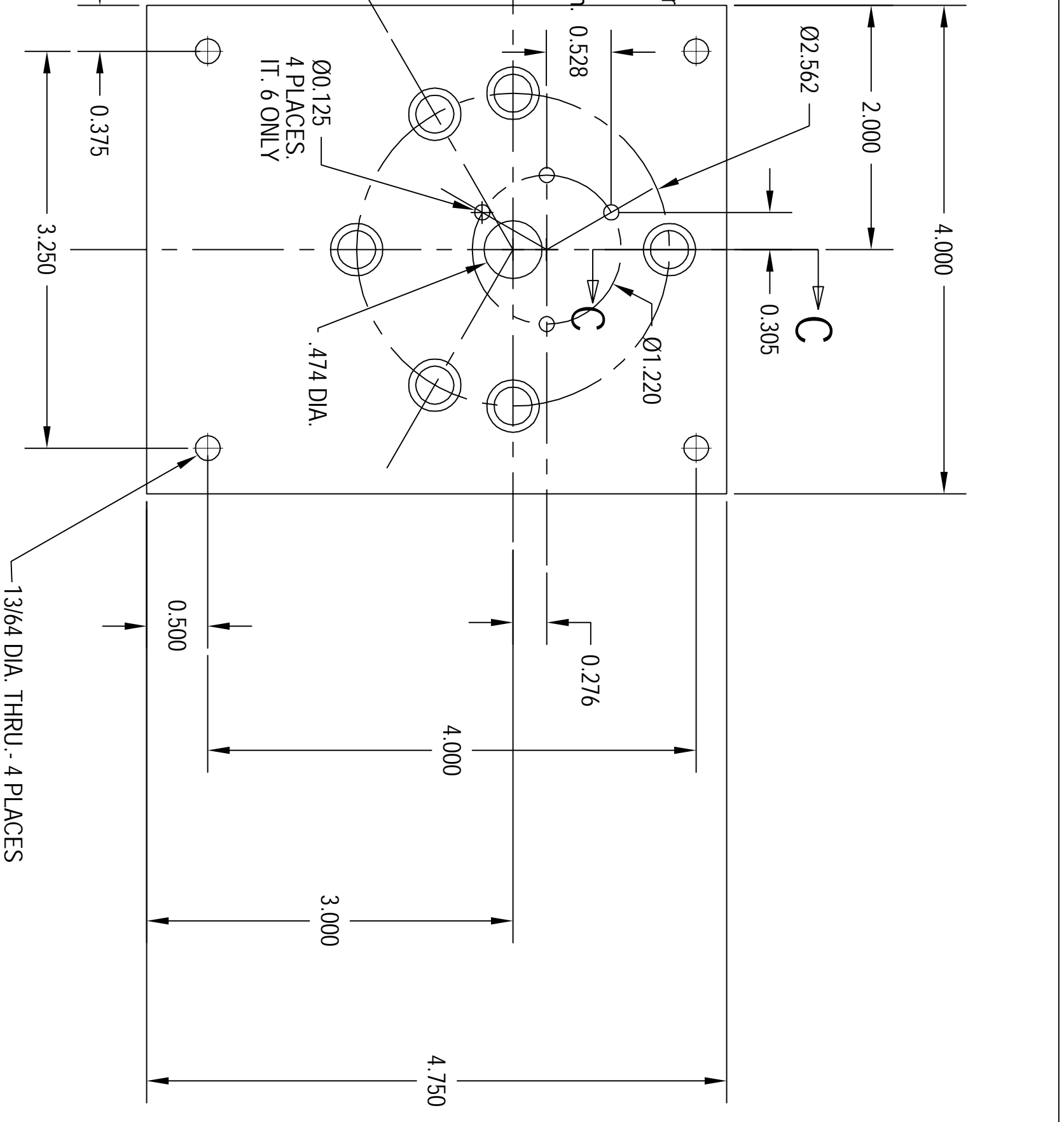
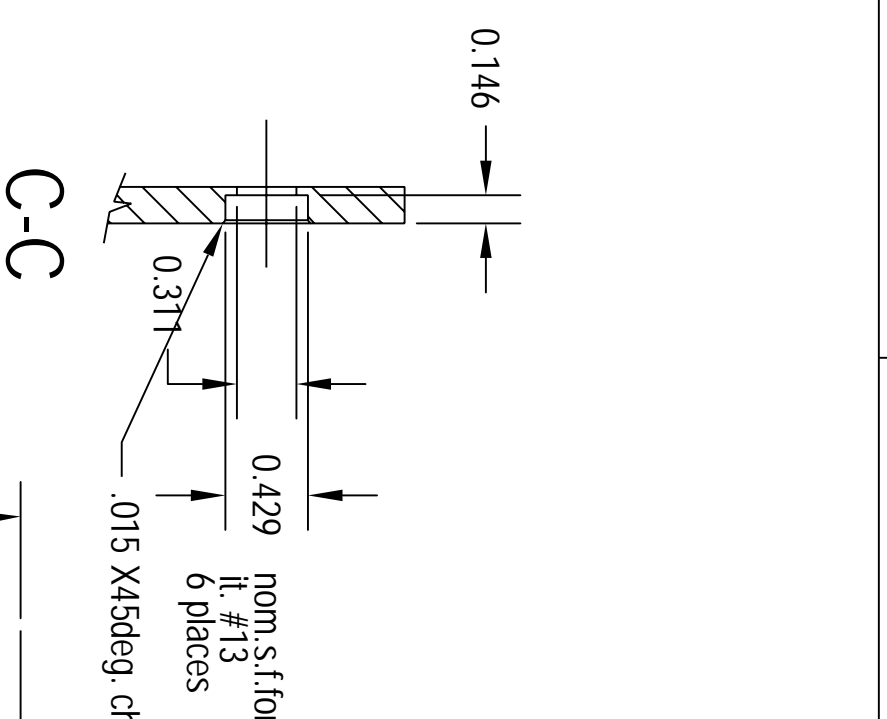
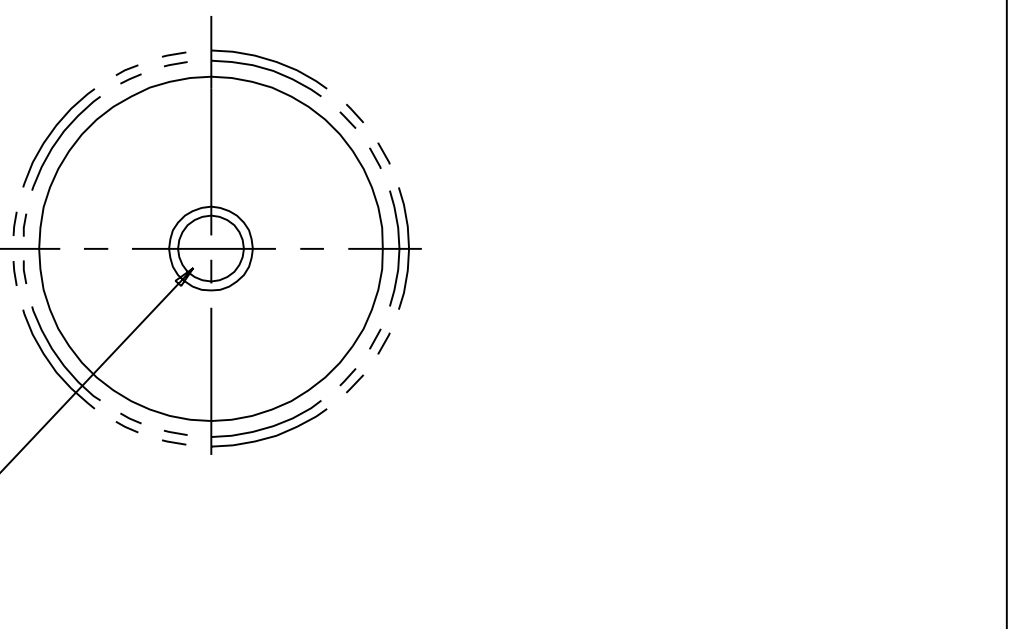
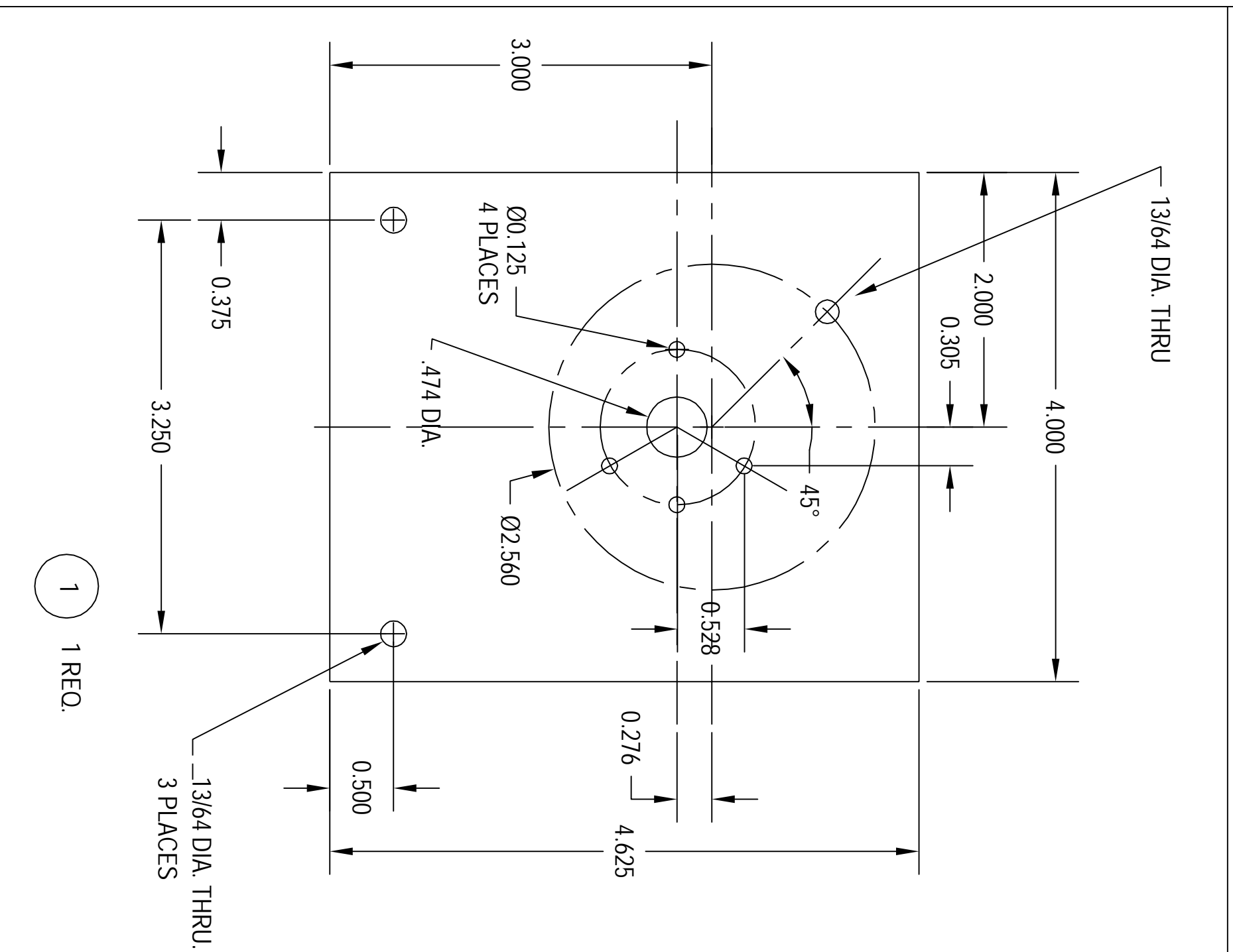


WHIRLS



WOPES.CO.COM

1. THIS PART IS SOLD BY SMALL PARTS INC. 13980 N.W. 58TH COURT. P.O. BOX 4650. MIAMI LAKES, FLORIDA 33014-0650. TEL. 1-800-220-4242.
2. IT #18 IS 8 X 16 X 6MM. DOUBLE SHIELDED AVAILABLE FROM HOBBY RACE CAR STORES
3. IT #13 IS 5 X 11 X 4MM. DOUBLE SHIELDED AVAILABLE FROM HOBBY RACE CAR STORES.
4. THESE PARTS ARE PURCHASED FROM SERV-O-LINK CORP.
5. THESE PARTS PURCHASED FROM



| ITEM | QTY. | DESCRIPTION        | SIZE                  | MATL.        |
|------|------|--------------------|-----------------------|--------------|
| 1    | 1    | PLATE              | 3/8 X 4 X 4.5/8       | ALUM.        |
| 2    | 1    | DISC               | 3/16 X 3 DIA.         | ALUM.        |
| 3    | 1    | STUB SHAFT         | 3/8 DIA. X 5/8        | M.S.         |
| 4    | 1    | LOCK PIN           | 3/16 DIA. X 2 1/4     | M.S.         |
| 5    | 4    | ANGLE              | 1 X 1 X 1/8 X 4       | ALUM.        |
| 6    | 1    | PLATE              | 3/16 X 4 X 4.3/4      | ALUM.        |
| 7    | 6    | POST               | 3/8 DIA. X 1 1/16     | M.S.         |
| 8    | 6    | POST               | 3/8 DIA. X 1 1/16     | M.S.         |
| 9    | 4    | SPACER             | 3/8 DIA. X 1 1/32     | M.S.         |
| 10   | 1    | PIN-WHIRLS         | 3/8 DIA. X 1 1/4      | M.S.         |
| 11   | 1    | HOUSING            | 3/8 DIA X 1 7/8       | ALUM.        |
| 12   | 6    | PIN                | 1/4 DIA. X 1.332      | M.S.         |
| 13   | 12   | BALL BEARING       | (SEE NOTE 3)          | STL.         |
| 14   | 1    | PIN                | 1/4 DIA. X 1 1/2      | M.S.         |
| 15   | 6    | GEAR-18 T          | GC 184 (SEE NOTE 4)   | DEL.RIN      |
| 16   | 1    | GEAR-64T           | GC 644 (SEE NOTE 4)   | DEL.RIN      |
| 17   | 2    | GEARMOTOR          | 161373CH (SEE NOTE 5) | STL.         |
| 18   | 1    | BALL BEARING       | (SEE NOTE 2)          | STL.         |
| 19   | 1    | WALL ADAPTER       | 114825CA (SEE NOTE 5) | STL.         |
| 20   | 2    | SWITCH             | ?                     | (SEE NOTE 5) |
| 21   | 2    | SETSCREW           | #5-40 N.C. X 3/16     | STL.         |
| 22   | 1    | PLATE              | 3/16 X 4 X 4.3/4      | ALUM.        |
| 23   | 1    | PIN-LOOPER         | 3/8 DIA. X 3/4        | M.S.         |
| 24   | 8    | PAN HD. MACH. SCR  | #10-24 N.C. X 1/2     | STL.         |
| 25   | 4    | FLAT HD. MACH. SCR | #6-32 N.C. X 1/2      | STL.         |
| 26   | 6    | FLAT HD. MACH. SCR | #8-32 N.C. X 1/2      | STL.         |
| 27   | 2    | PAN HD. MACH. SCR  | #10-24 N.C. X 7/8     | STL.         |
| 28   | 2    | HEX. NUT           | #8-32 N.C.            | STL.         |
| 29   | 2    | PLAIN WASHER       | #8                    | STL.         |
| 30   | 8    | PAN HD. MACH. SCR  | M3 X 20               | STL.         |
| 31   | 4    | FL. HD. MACH. SCR  | #6-40 N.C. X 1/2      | STL.         |

DWG. TITLE:

ROPEWALK---MOTORISED---ASSY. & DETAILS

| DRAWN | DATE     | SCALE | DWG. NO. | REV         |
|-------|----------|-------|----------|-------------|
| K.H.  | JUL.2005 | FULL  | 1056     | SHT. 1 OF 2 |