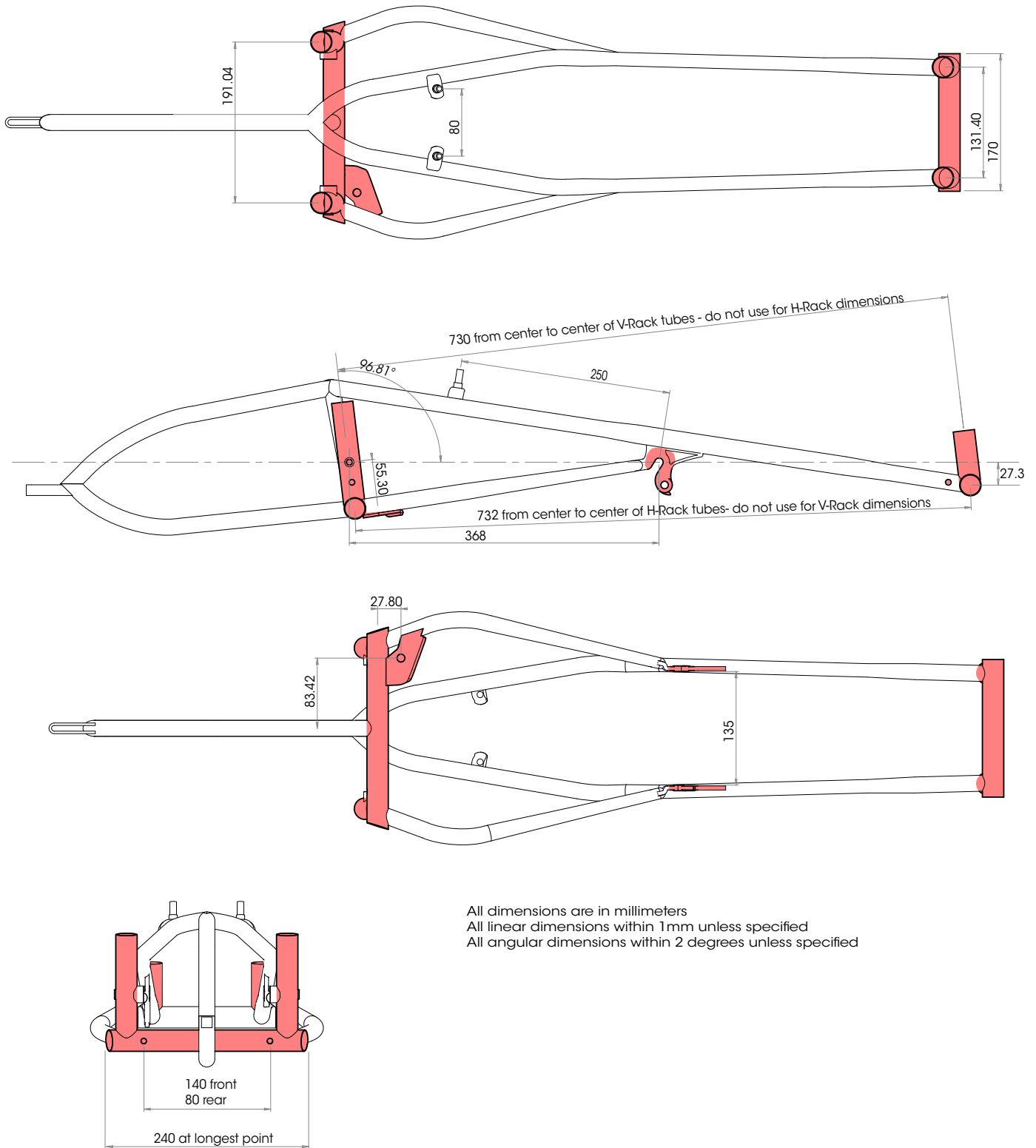




# Essential Longtail Dimensions

All parts shown in bold are needed for the Longtail Standard. All other tubes and hardware are free to be changed at the designer's discretion, provided they don't interfere with the keep-out areas where other parts interface.



All dimensions are in millimeters  
 All linear dimensions within 1mm unless specified  
 All angular dimensions within 2 degrees unless specified