

STOP!

YOU MUST READ INSTRUCTION SHEET

Always keep it with the rifle. If you lend, give, or sell this rifle, be sure the instruction sheet goes with it. You can get a free instruction sheet from: **Hi-Point Firearms, Beemiller Inc., 1015 Springmill Road, Mansfield, Ohio 44906.**

GET INSTRUCTIONS FROM A COMPETENT FIREARM INSTRUCTOR BEFORE USING ANY GUN.

STATEMENT OF LIMITED WARRANTY

The Model 4095 Carbine is warranted to the original retail customer for life from date of original purchase against defects in material and/or workmanship. All parts and labor or replacement, at our option, are covered.

Transportation to and from repair facilities, damage caused by failure to perform normal maintenance, sales outside the United States, damage due to the use of high pressure, reloaded or other nonstandard ammunition, or any unauthorized repair, modification, misuse, abuse, or alteration of the product is not covered by this Limited Warranty.

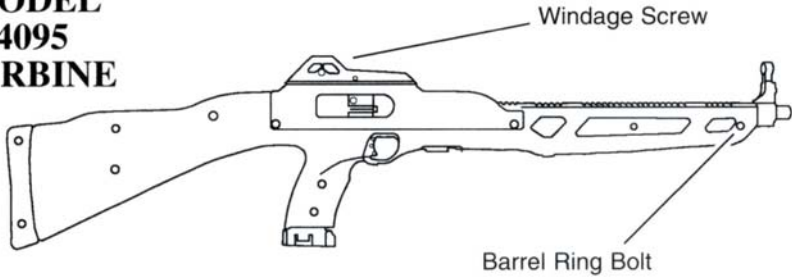
Any implied warranties, including the implied warranties of merchantability and fitness for a particular purpose, are limited to the lifetime of the original retail purchaser. Consequential or incidental damages or expenses, or any other expenses are not covered by this warranty.

TO OBTAIN SERVICE UNDER WARRANTY

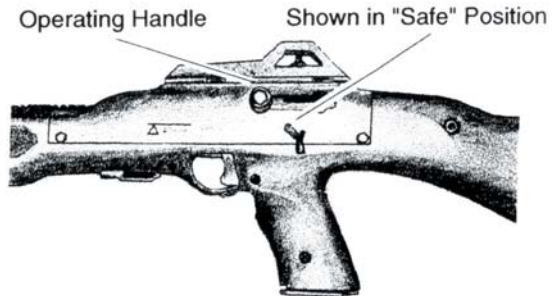
Send your firearm to us via UPS along with a photocopy of your proof of retail purchase freight charges prepaid. Be sure to include a statement as to the reason for return and make sure to include your complete return street address. Ship your product to the following address: **Hi-Point Firearms, Beemiller Inc., 1015 Springmill Road, Mansfield, Ohio 44906.**

FOR BEST RESULTS USE JACKETED AMMUNITION.

**MODEL
4095
CARBINE**



Operating handle should be installed as shown and tightened BY HAND aggressively with the ADJUSTMENT TOOL to avoid loosening.



**ALL FIREARMS ARE DANGEROUS
PLEASE BE CAREFUL**

**** NO SAFETY DEVICE REPLACES COMMON SENSE. ****

We strongly advise that you familiarize yourself with all the mechanisms of this gun, or any gun, before putting any ammunition into it. *We also strongly advise that the yellow safety plug we provide be kept in the chamber during transportation or storage of this firearm. A new plug will be provided free of charge upon request.*

We provide reasonable care in the manufacture of this rifle, but assume no responsibility for its care, handling and use.

CAUTION

For your safety, and that of others, we strongly recommend that you do not store, carry or handle this, or any other firearm with a cartridge in the barrel until you are ready to shoot. A cartridge from the magazine supply can be placed in the barrel, ready to shoot, in about the same length of time as required to move the safety bolt from the "Safe" position to the "Fire" position. **Magazine capacity is ten cartridges.**

BE CAREFUL!

CAUTIONS:

ALWAYS handle your rifle as if it were loaded, so that you never fire it accidentally when you think it is unloaded.

NEVER point your rifle at anything you do not intend to shoot so if it fires accidentally, injury, death, or damage to property will be prevented.

NEVER take anyone's word that a gun is unloaded; check for yourself with fingers off the trigger and gun pointed in a safe direction, so that you never fire the gun accidentally when you think it is unloaded.

ALWAYS be sure barrel and action are clear of obstructions. Clean a fouled rifle immediately so that it will function correctly and safely.

NEVER squeeze the trigger or put your finger in the trigger guard until you are aiming at a target and ready to shoot. This will prevent you firing the rifle when it is pointing in an unsafe direction.

NEVER put your finger on the trigger while cocking. (See "Loading the Rifle")

NEVER extend your fingers past the end of the muzzle.

ALWAYS be absolutely sure of your target and the area behind it before you squeeze the trigger. A bullet could travel through or past your target up to 1-1/2 miles ... if in doubt, don't shoot.

NEVER leave a loaded rifle unattended. Someone, especially a child, may fire it and cause injury, death, or damage to property.

NEVER use your rifle if it fails to function properly, and never force a jammed action, as a round may explode causing serious injury, possible death, or severe damage to your rifle.

NEVER leave your rifle cocked, ready to fire, as this condition is extremely dangerous, and the rifle could easily be accidentally discharged, causing injury, death or damage to property.

NEVER leave the magazine partially in the handle. The magazine should either be completely inserted in the handle, with the magazine in its proper position or completely removed.



BEE MILLER INC.
1015 SPRINGMILL ROAD
MANSFIELD, OH 44906

PARTS LIST FOR MODEL 4095 CARBINE

SIGHTING ASSEMBLY

- | | |
|-------------------------------|-------------------------------------|
| 1. Sight Holder Assembly | 7. Back Up Plates (2) |
| 2. Sight Holder Screws (3) | 8. Barrel Shroud |
| 3. Sight Elevation Screw | 9. Front Sight Base |
| 4. Receiver Shroud | 10. Front Sight |
| 5. Receiver Shroud Nuts (2) | 11. Front Sight Screw |
| 6. Receiver Shroud Screws (2) | 12. Front Sight Base Set Screws (2) |

FIRING ASSEMBLY

- | | |
|-------------------------------|------------------------------|
| 13. Breech Bolt | 25. Sear Cam |
| 14. Firing Pin | 26. Sear Pin |
| 15. Firing Pin Spring | 27. Sear Pin Spring |
| 15a. Firing Pin Spring Sleeve | 28. Counter Weight |
| 16. Bolt Retainer | 29. Counter Weight Pivot Pin |
| 17. Ejector Key Pin | 30. Barrel Ring |
| 18. Ejector Keys | 31. Receiver |
| 19. Ejector Key Spring | 32. Barrel |
| 20. Operating Handle | 33. Receiver Clip |
| 21. Roller | 34. Hold Open |
| 22. Bolt Retainer Clip | 35. Hold Open Spring |
| 23. Recoil Spring | 36. Hold Open Pin |
| 24. Trigger Assembly | |

STOCK ASSEMBLY

- | | |
|-------------------------------|---------------------------|
| 37. Stock | 42. Handle Support (2) |
| 38. Stock Bolts (7) | 43. Magazine Catch Cap |
| 39. Stock Nuts (7) | 44. Magazine Catch |
| 40. Stock Clips | 45. Magazine Catch Spring |
| 41. Handle Support Screws (4) | 46. Magazine Assembly |

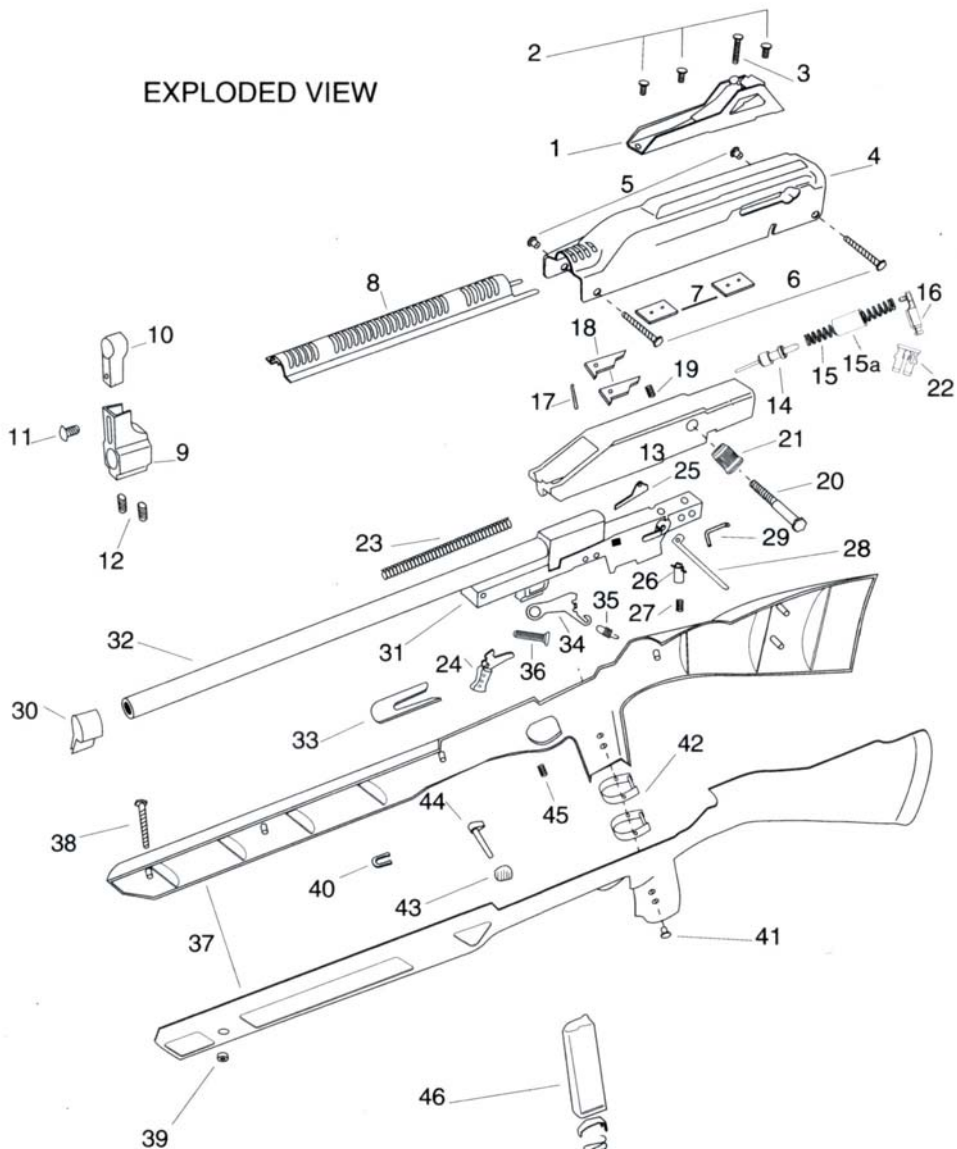
To order extra magazines, send a \$18 money order
(includes shipping & handling) per magazine to:

Beemiller Inc., 1015 Springmill Road, Mansfield, OH 44906

We accept major credit cards.

Prices available upon request. Changes in design may occur from time to time. Always specify the serial number of your rifle with your inquiry.

EXPLODED VIEW



Adjustment Tool



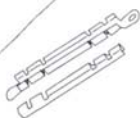
Sling



Dual Lok

NOTE: When installing sear pin, ramp on top of sear pin faces to the front of rifle.

Scope Base



FRONT 

Safety/Bolt Lock is located at top of left grip. Sliding safety lever upward, into notch engages safety and places rifle in “SAFE” position.

Sliding safety lever down, out of notch, places rifle in “Firing” position.

Bolt can be locked open by moving operating handle to rearmost position and at this time pushing roller into the notch in the shroud. Breech, chamber, and barrel cleaning are easily performed in this position.

Safety is engaged **only** when lever is up in the notch, when lever is out of notch, rifle is in “Firing” position.

LOADING THE RIFLE: After loading your magazine, insert it into the bottom of the handle and push it into the rifle as far as possible. When fully inserted, the magazine catch will hook the magazine and hold it in its proper position. Making sure your fingers are not touching the trigger, **point your rifle in a safe direction** and with your other hand firmly grasp the operating handle and pull it as far rearward as it will go. **RELEASE THE OPERATING HANDLE FROM ITS REARMOST POSITION ALLOWING IT TO GO FORWARD ON ITS OWN ACCORD.** This procedure places the first cartridge into the chamber and the rifle is ready for firing. Subsequent feeding and ejection operations are performed automatically until the last round is fired. At this time the bolt will lock open.

CONTINUE FIRING: Remove empty magazine from the magazine well, then insert a loaded magazine into the magazine well. Pull operating handle backward until you hear an audible click. Release and allow the bolt to go forward on its own accord. This will load the first cartridge into the chamber and the rifle is again ready to fire.

DISENGAGE HOLD OPEN: To disengage the Hold Open - remove empty magazine, then grasp operating handle and pull backward until you hear an audible click. Releasing the bolt will return it to the closed position.

CAUTION: UNLOAD YOUR RIFLE IF YOU DO NOT INTEND TO SHOOT IMMEDIATELY!

UNLOADING WITHOUT FIRING: Always point your rifle in a safe direction before attempting to unload it. To unload unfired cartridges, move the magazine catch inward until the magazine can be pulled from the rifle. **AFTER THE MAGAZINE IS REMOVED, PULL THE OPERATING HANDLE TO THE REAR TO REMOVE THE CARTRIDGE FROM THE BARREL CHAMBER.** *As a safety precaution, always check the barrel chamber visually by holding the operating handle back and looking into the bolt, chamber and magazine cavities.*

Care and Use / Maintenance

Bolt can be locked open by inserting an empty magazine and pulling operating handle rearward until bolt locks open or by moving operating handle to rearmost position and at this time pushing roller into the notch in the receiver shroud. Breech, chamber, and barrel inspection and cleaning is easily performed in this position. Barrel should be brushed every 300-400 rounds. Complete disassembly and cleaning should be performed at 1500-2000 rounds.

DISASSEMBLY:

Rifle must be unloaded to perform disassembly. Magazine must be removed. Using a 5/16" wrench or nut driver and the adjustment tool provided with the rifle, unscrew the shroud screws and set them aside. Next, unscrew the operating handle (7/16") and the barrel ring bolt, then remove the receiver clip. The receiver shroud and barrel shroud can be lifted off at this time and the firing assembly can be removed. Pull bolt retainer clip rearward until it stops. Pull breech bolt rearward 1/4" and lift upward. This removes bolt assembly from receiver. **Reassemble** by reversing disassembly procedure. **DO NOT OVERTIGHTEN ANY SCREWS OR NUTS. SNUG IS SUFFICIENT.**

SIGHT ADJUSTMENT

VERTICAL CORRECTION (ELEVATION)

COARSE ADJUSTMENT (Front Sight): To raise point of impact, lower front sight. To lower point of impact, raise front sight. *DO NOT OVERTIGHTEN SET SCREWS.*

FINE ADJUSTMENT (Rear Sight): To raise point of impact, raise rear sight. To lower point of impact, lower rear sight.

The sight can be raised and lowered by turning the sight elevation screw.

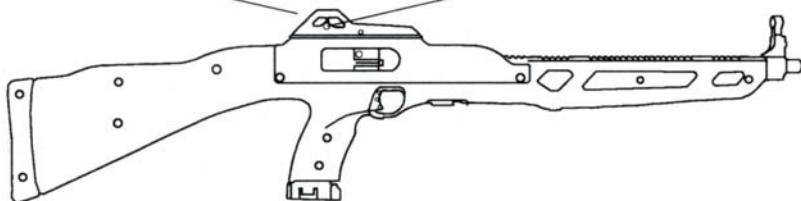
HORIZONTAL CORRECTION (WINDAGE)

To move point of impact to the right, move peep sight to the right. This is accomplished by turning the windage screw on the right side of the sight holder.

**ALL FIREARMS ARE DANGEROUS
PLEASE BE CAREFUL**

Sight Elevation Screw

Windage Screw



ATTENTION

This rifle is classified by the A.T.F. Division of the Internal Revenue Service, U.S. Treasury Dept. as a firearm or dangerous weapon and is released by **Hi-Point Firearms, Beemiller Inc.** with the express understanding that **Hi-Point Firearms, Beemiller Inc.** is not responsible and assumes no liability in any manner whatsoever for injury, death, or damage to property resulting from either intentional or accidental discharge of this firearm, or from its function when used for purposes or subjected to treatment for which it was not designed. **Hi-Point Firearms, Beemiller Inc.** will not honor claims involving this firearm which result from any or a combination of any of the following:

- a) Improper, careless or unsafe handling.
- b) Use of the wrong caliber ammunition.
- c) Use of ammunition, other than original high quality commercially manufactured ammunition, in **GOOD CONDITION.**
- d) Unauthorized adjustments, repairs or alterations.
- e) Corrosion or neglect.
- f) Other influences beyond our direct and immediate control.

Hi-Point Firearms, Beemiller, Inc. will not honor any claim whatsoever by second or subsequent owner of this firearm.

Hi-Point Firearms, Beemiller, Inc. will not be held liable for any injury or damages to any person resulting from the use of this firearm for any purpose, including civil defense, police activity, hunting dangerous game, or combat.

This statement of liability supersedes any other statement of liability, whether expressed or implied.

Care and Use / Maintenance

Bolt can be locked open by inserting an empty magazine and pulling operating handle rearward until bolt locks open or by moving operating handle to rearmost position and at this time pushing roller into the notch in the receiver shroud. Breech, chamber, and barrel inspection and cleaning is easily performed in this position. Barrel should be brushed every 300-400 rounds. Complete disassembly and cleaning should be performed at 1500-2000 rounds.

