

Thor

by runoffgroove.com

gaussmarkov

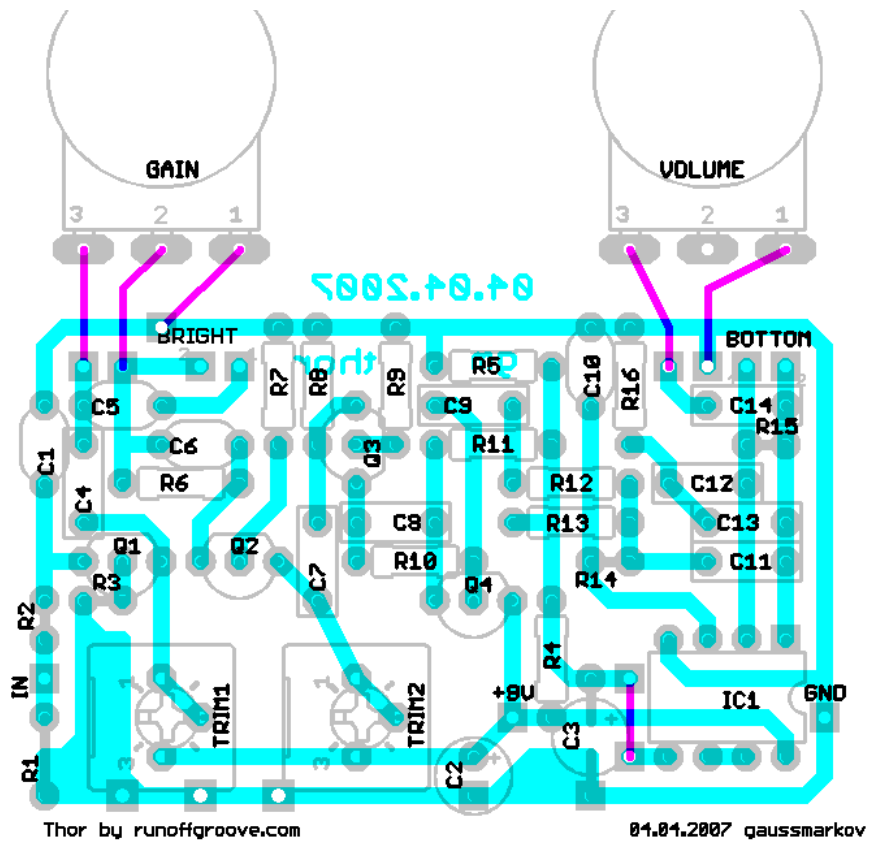
April 4, 2007

<http://gaussmarkov.net/index.php?page=layouts#thor>

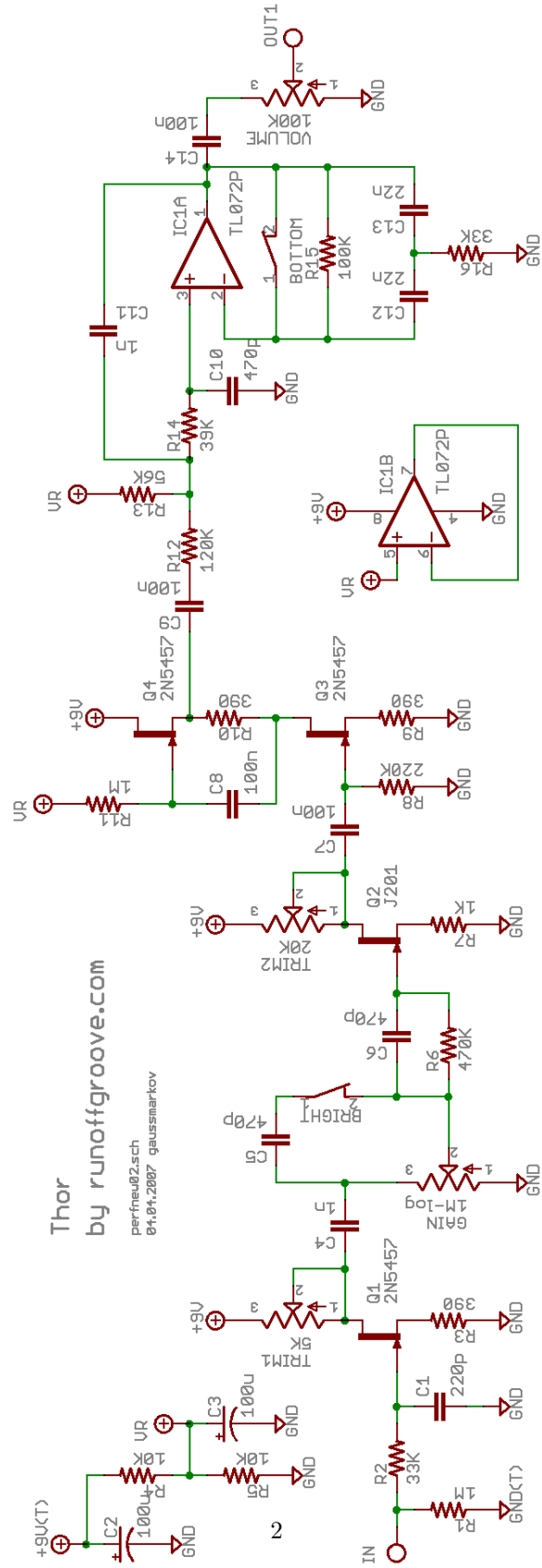
Notes

The online source is <http://www.runoffgroove.com/thor.html>. This version differs in one way: the TL071 is replaced by the dual op amp counterpart, the TL072. These two ICs cost about the same and many builders stock only the TL072.

Layout



Schematic



Parts List

Part	Value	Library	Part	Value	Library
BOTTOM	SPST	gm-switches	R1	1M	gm-resistors
BRIGHT	SPST	gm-switches	R2	33K	gm-resistors
C1	220p	gm-caps-ceramic	R3	390	gm-resistors
C2	100u	gm-caps-electro-pol	R4	10K	gm-resistors
C3	100u	gm-caps-electro-pol	R5	10K	gm-resistors
C4	1n	gm-caps-film-box	R6	470K	gm-resistors
C5	470p	gm-caps-ceramic	R7	1K	gm-resistors
C6	470p	gm-caps-ceramic	R8	220K	gm-resistors
C7	100n	gm-caps-film-box	R9	390	gm-resistors
C8	100n	gm-caps-film-box	R10	390	gm-resistors
C9	100n	gm-caps-film-box	R11	1M	gm-resistors
C10	470p	gm-caps-ceramic	R12	120K	gm-resistors
C11	1n	gm-caps-film-box	R13	56K	gm-resistors
C12	22n	gm-caps-film-box	R14	39K	gm-resistors
C13	22n	gm-caps-film-box	R15	100K	gm-resistors
C14	100n	gm-caps-film-box	R16	33K	gm-resistors
IC1	TL072P	gm-ics	TRIM1	5K	gm-pots
Q1	2N5457	gm-trans	TRIM2	20K	gm-pots
Q2	J201	gm-trans	GAIN	1M-log	gm-pots
Q3	2N5457	gm-trans	VOLUME	100K	gm-pots
Q4	2N5457	gm-trans			

PCB Image

When printing this image, use “Page Scaling: None” in the Adobe Reader print dialog.

