



US006149589A

United States Patent [19]

[11] Patent Number: 6,149,589

Diaconu et al.

[45] Date of Patent: Nov. 21, 2000

[54] ON-LINE AND REAL-TIME SPECTROREFLECTOMETRY MEASUREMENT OF OXYGENATION IN A PATIENT'S EYE

5,553,617 9/1996 Berkenhagen .
5,582,168 12/1996 Samuels et al. .
5,608,526 3/1997 Piwonka-Corle et al. .
5,673,097 9/1997 Heacock .
5,776,060 7/1998 Smith et al. .
5,919,132 7/1999 Faubert et al. .

[75] Inventors: Vasile Diaconu, Ile Perrot; Jocelyn Faubert, Notre-Dame-de-l'Ile-Perrot, both of Canada

FOREIGN PATENT DOCUMENTS

2537428 6/1984 France .

[73] Assignee: Universite de Montreal, Quebec, Canada

OTHER PUBLICATIONS

[21] Appl. No.: 09/273,857

Dietrich Schweitzer, Lutz Leistritz, Martin Hammer, Mateusz Seibor, Ulrich Bartsch and Jurgen Strobel; "Calibration-free measurement of the oxygen saturation in retinal vessels of men"; SPIE; vol. 2393, pp. 210-218.

[22] Filed: Mar. 22, 1999

"Ocular Hazards from Clinical Instruments" D.G. Pitts, R.N. Kleinstein, Environmental Vision, Interactions of the Eye, Vision, and the Environment, pp. 379-386.

Related U.S. Application Data

[63] Continuation-in-part of application No. 09/048,721, Mar. 26, 1998, Pat. No. 5,919,132.

"Imaging Spectrometry in Ophthalmology-Principle and Application in Microcirculation and in Investigation of Pigments" D. Schweitzer et al, Ophthalmic Res. 1996, pp. 37-44.

[51] Int. Cl. 7 A61B 5/00

[52] U.S. Cl. 600/318; 600/340; 600/473; 600/476

Primary Examiner-Eric F. Winakur

Attorney, Agent, or Firm-Merchant & Gould P.C.

[58] Field of Search 600/318, 320, 600/322, 323, 340, 473, 476; 606/2, 3, 4, 5, 6, 10, 11, 13, 17, 18

[57]

ABSTRACT

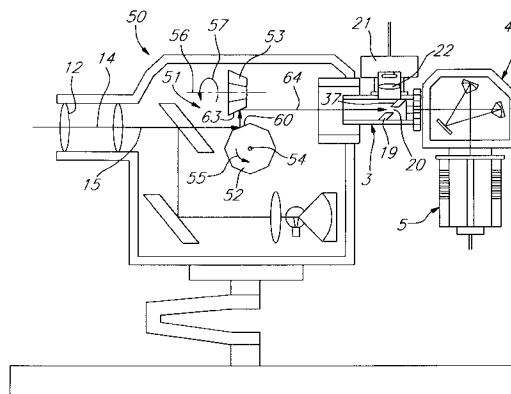
[56] References Cited

U.S. PATENT DOCUMENTS

- 4,253,744 3/1981 Sawa .
4,305,398 12/1981 Sawa .
4,413,890 11/1983 Belkin et al. .
4,485,820 12/1984 Flower .
4,569,354 2/1986 Shapiro et al. .
4,579,430 4/1986 Bille .
4,621,643 11/1986 New, Jr. et al. .
4,644,948 2/1987 Lang et al. .
4,770,179 9/1988 New, Jr. et al. .
4,877,322 10/1989 Hill .
4,922,919 5/1990 Novack .
5,069,214 12/1991 Samaras et al. .
5,090,416 2/1992 Ogino et al. .
5,119,814 6/1992 Minnich .
5,186,173 2/1993 Zuckerman .
5,219,400 6/1993 Jacot et al. .
5,240,006 8/1993 Fujii et al. .
5,308,919 5/1994 Minnich .
5,318,022 6/1994 Taboada et al. .
5,433,197 7/1995 Stark .

In the spectroreflectometry oxygenation measuring method and device, a light source produces a light beam having a spectral bandwidth including the wavelengths from 450 nm to 850 nm. A first optical system propagates the light beam from the light source to a two-dimensional area of the fundus of a patient's eye, the light beam being reflected at least in part by the fundus of the patient's eye to produce a reflected light beam. A detector unit detects the spectral content of the reflected light beam and produces a signal indicative of the spectral content of this reflected light beam. A second optical system propagates the reflected light beam from the fundus of the patient's eye to the detector unit. This second optical system comprises an optical scanning sub-system for scanning a plurality of points of the two-dimensional area of the fundus of the patient's eye. Finally, the optical scanning sub-system comprises optical elements for transmitting to the detector unit only a portion of the reflected light beam corresponding to the point of the two-dimensional area being scanned to thereby conduct at this point a spectroreflectometry oxygenation measurement.

14 Claims, 6 Drawing Sheets



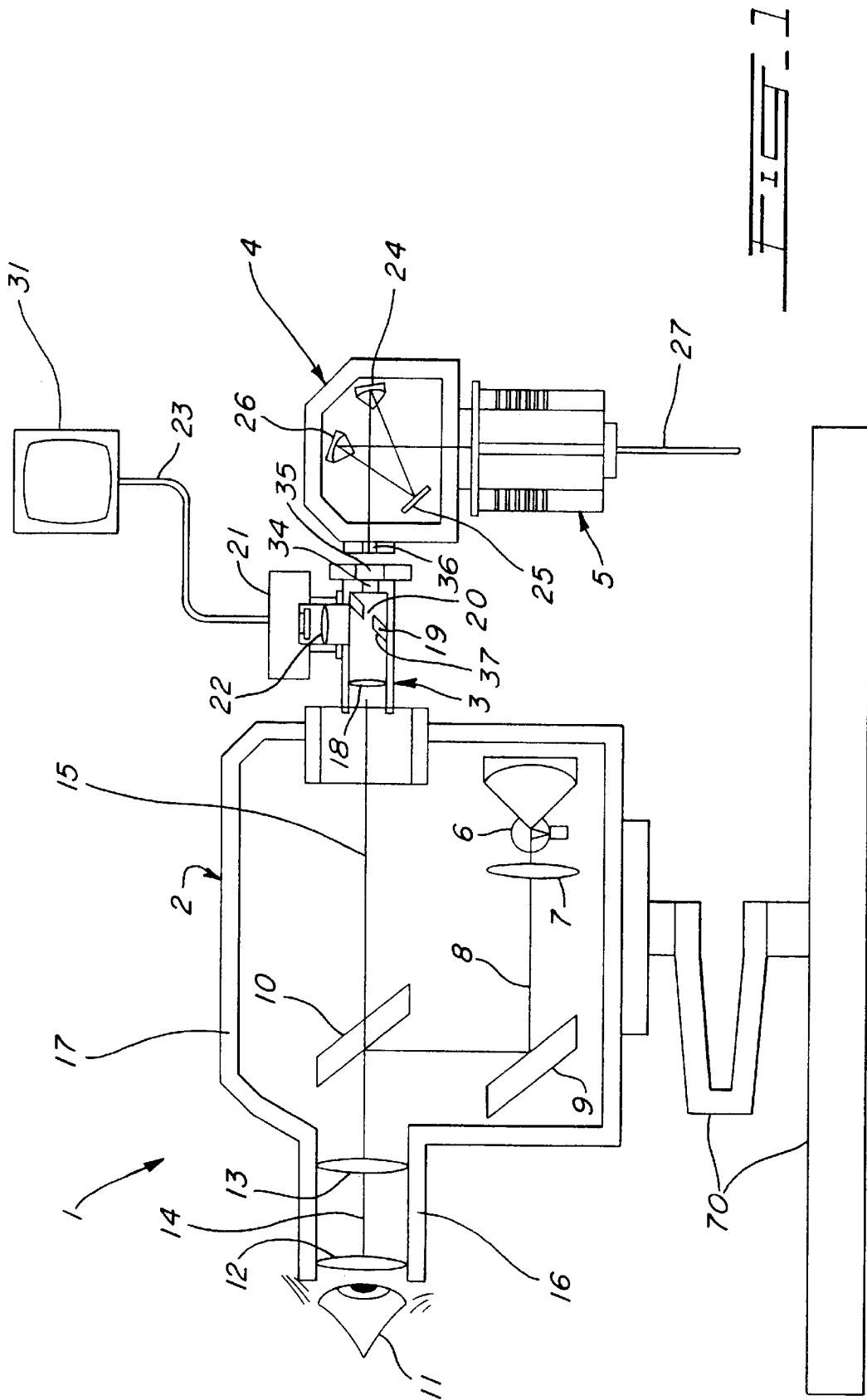
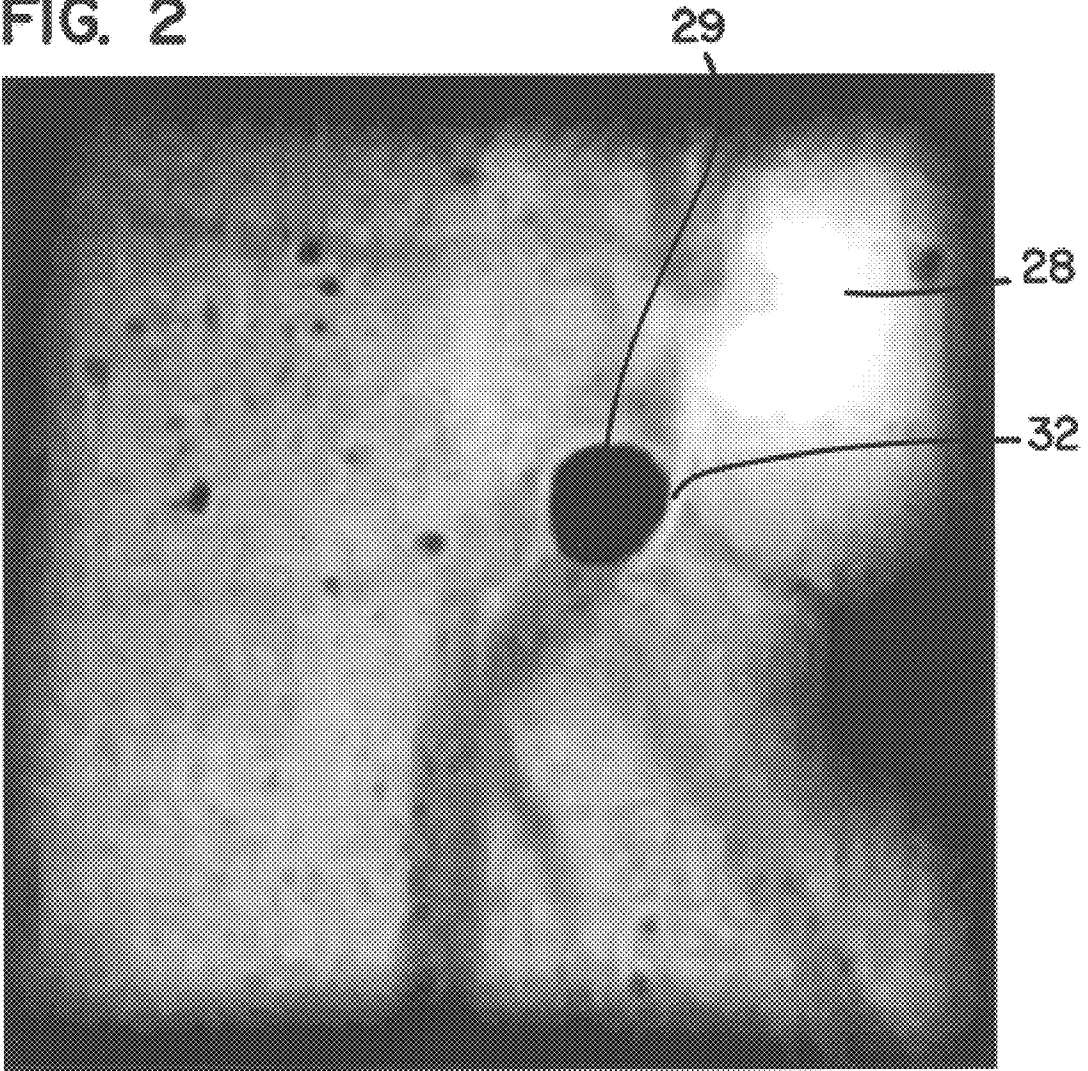


FIG. 2



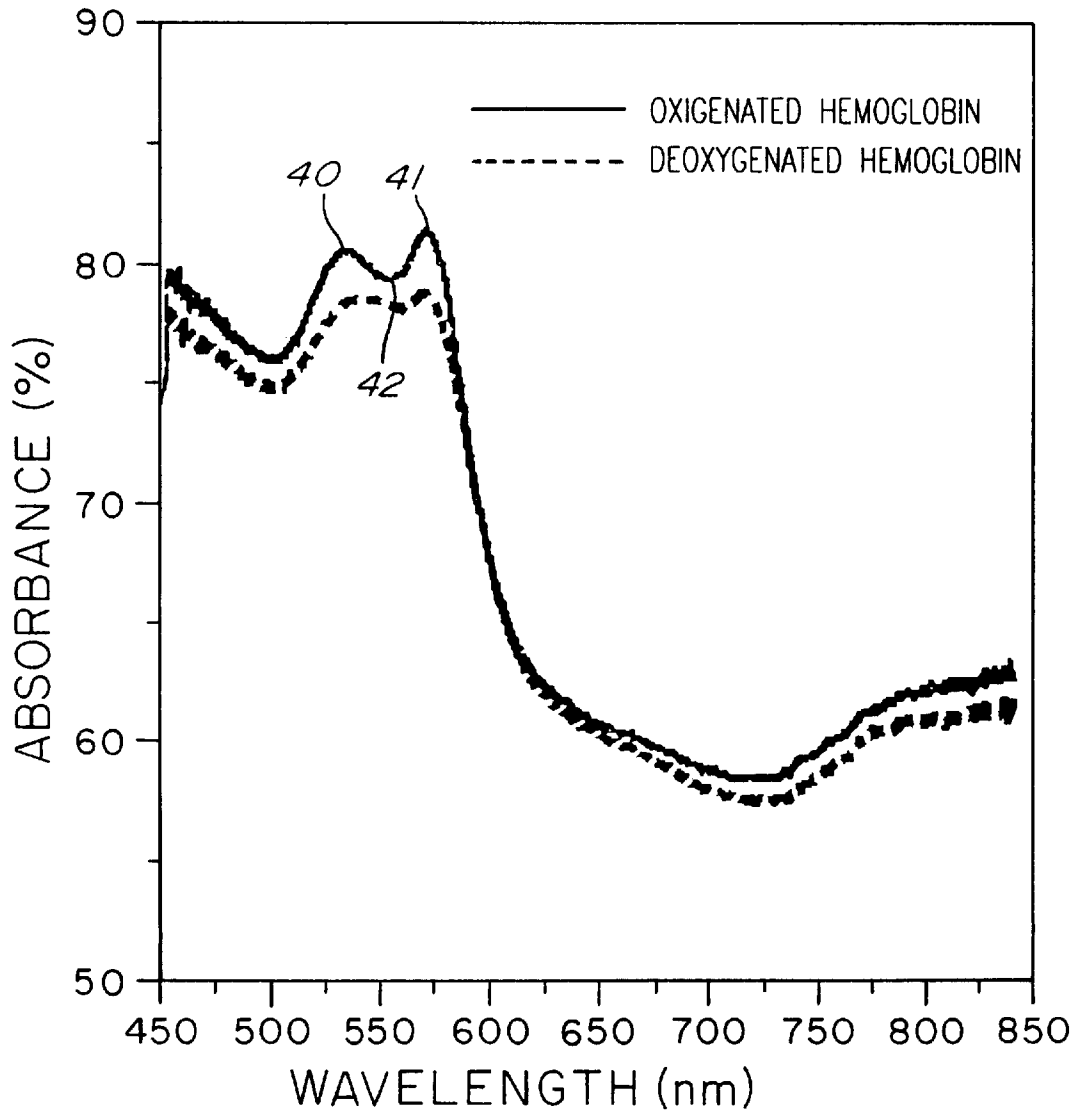


FIG. 3

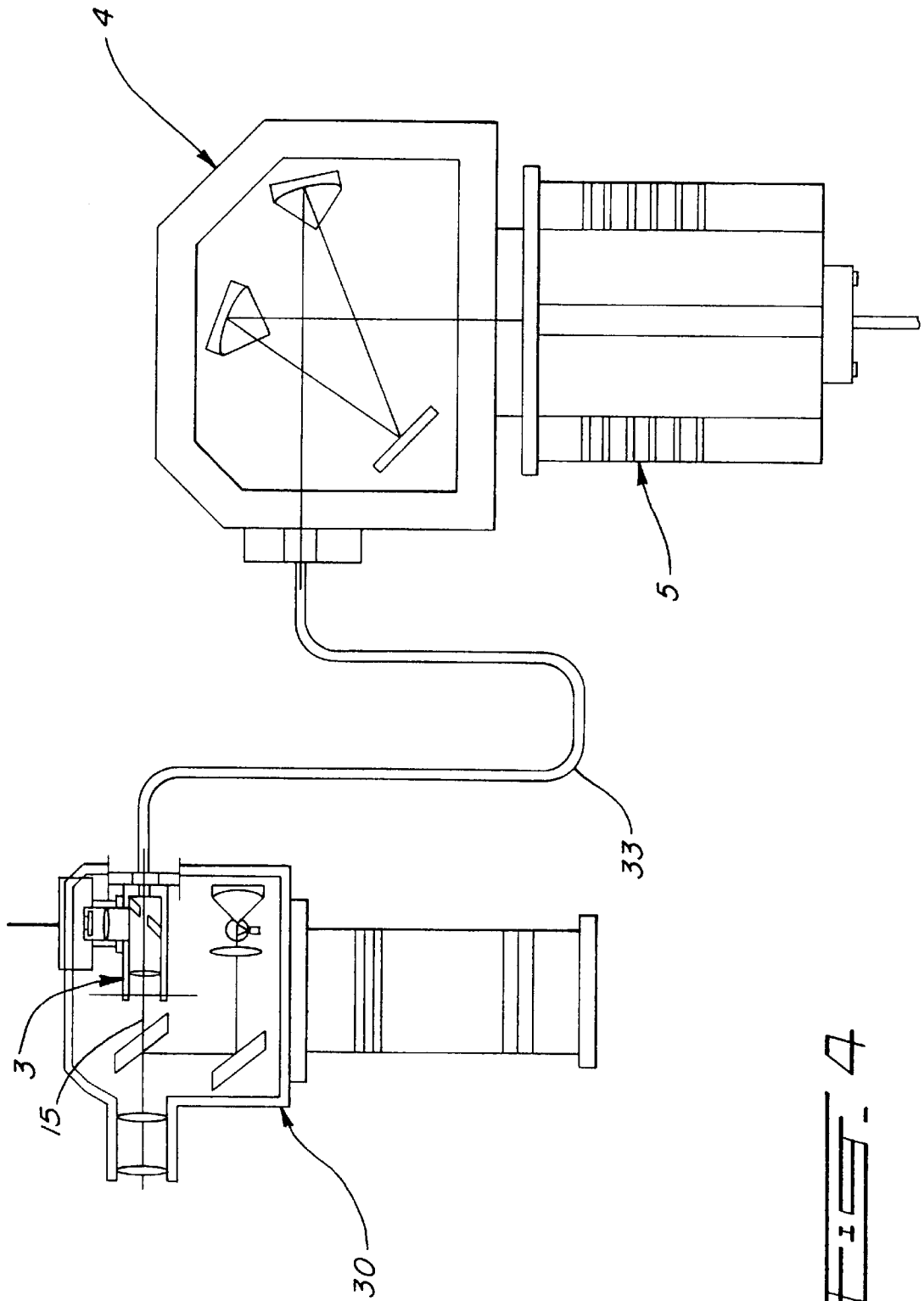


FIG. 4

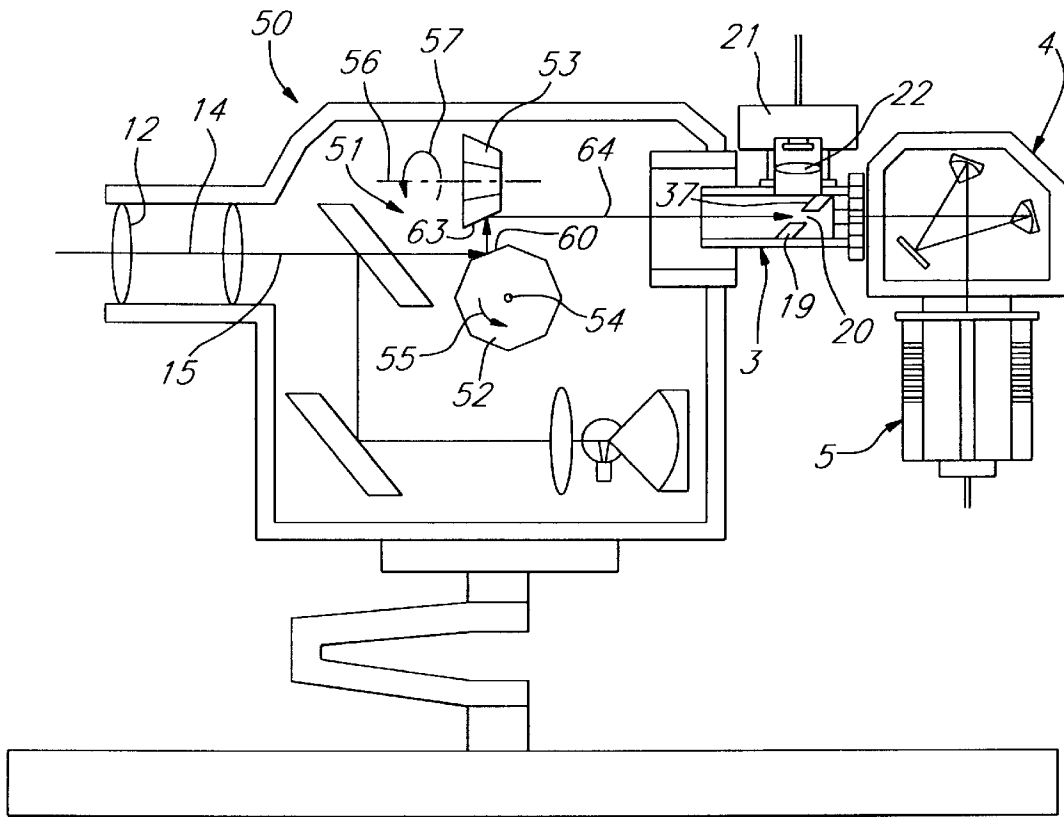


FIG. 5

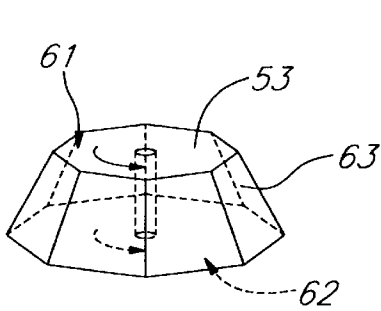


FIG. 6

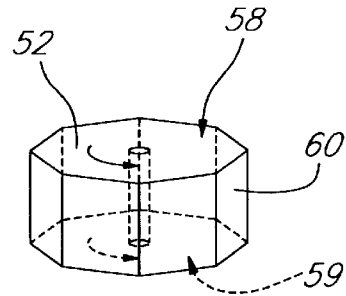
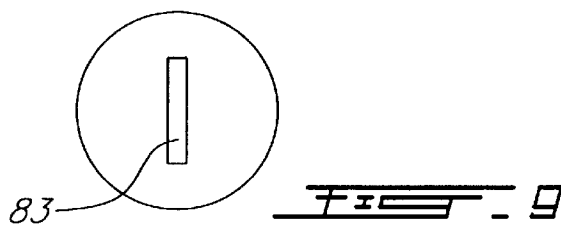
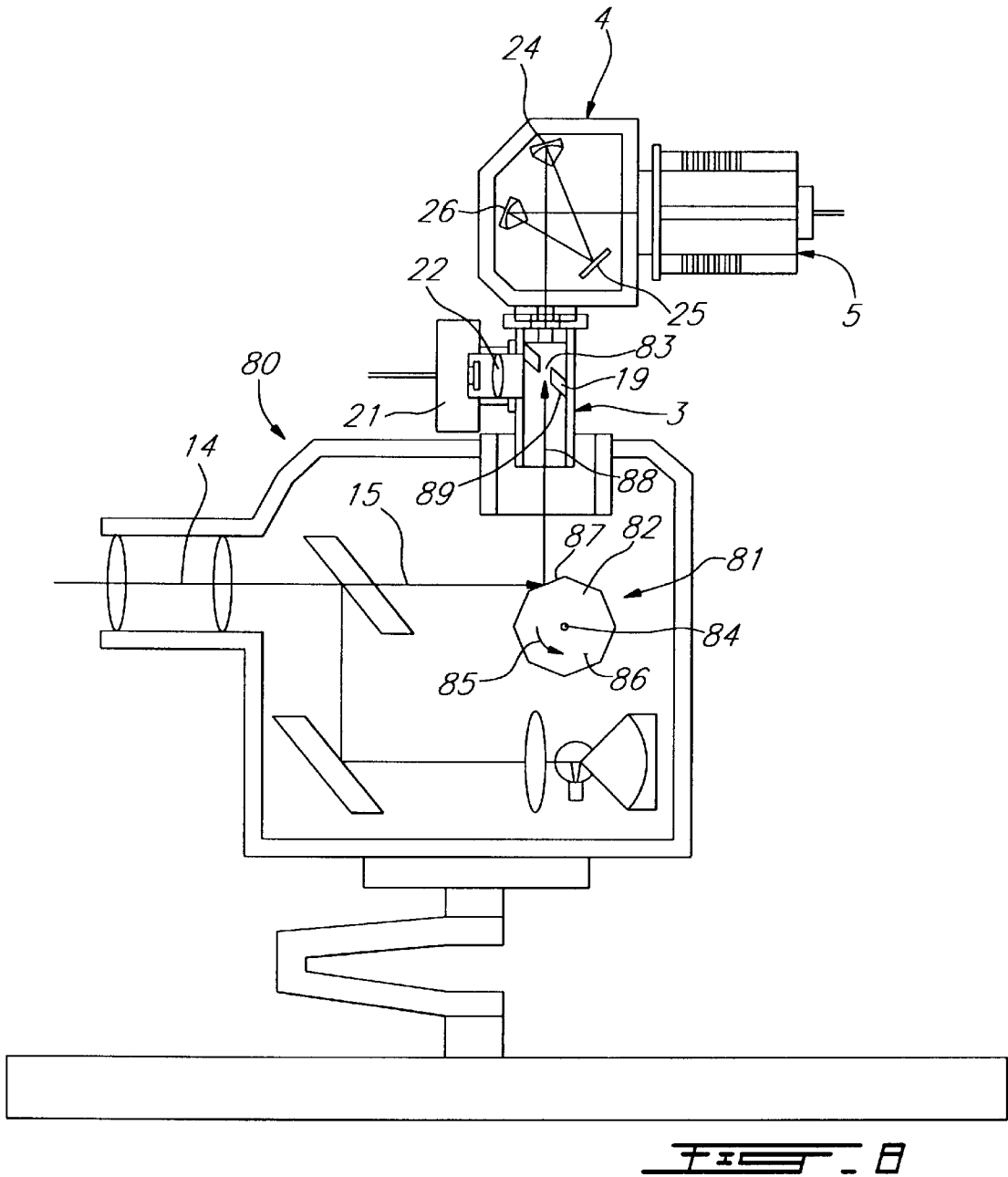


FIG. 7



**ON-LINE AND REAL-TIME  
SPECTROREFLECTOMETRY  
MEASUREMENT OF OXYGENATION IN A  
PATIENT'S EYE**

This application is a continuation-in-part of Ser. No. 09/048,721, filed Mar. 26, 1998, and issued as U.S. Pat. No. 5,919,132 on Jul. 6, 1999.

**BACKGROUND OF THE INVENTION**

**1. Field of the Invention**

The present invention relates to a method and device for conducting on-line and real-time spectrometry oxygenation measurement in the eye.

**2. Brief Description of the Prior Art**

A known prior art method uses a xenon flash, a fundus camera and a CCD (Charge Coupled Device) detector to make spectrographic measurements of the fundus of the eye. The xenon flash illuminates the eye during a short period of time for a single measurement. Due to the high intensity of the xenon light, such measurement could not be repeated on a continuous basis without harming the eye.

For measuring the oxygen content of blood, other prior art methods perform blood flow measurements using Doppler based procedures.

Another prior art method is described in U.S. Pat. No. 4,569,354 (Shapiro et al.) issued on Feb. 11, 1986. In accordance with this method, oxygenation of the retina is determined by measuring the fluorescence of flavoprotein in the retina. A spot of excitation light of a frequency of about 450 nanometers is scanned across the retina. Fluorescent light emitted from the retina at a frequency of about 520 nanometers is detected. The emission light may be detected at two frequencies of about 520 nm and 540 nm to allow for compensation for absorption and transmission variables in the eye. The center of the lens is imaged onto an optical stop in the emission optical path so that emitted light which passes back through the lens periphery, and not fluorescent light from the center of the lens, is detected.

U.S. Pat. No. 5,433,197 granted to Edward W. Stark on Jul. 18, 1995 discloses a glucose sensor for determining blood glucose which is of particular value in the diagnosis and treatment of diabetes. The patient's eye is illuminated with near-infrared radiation which passes into the eye through the cornea and the aqueous humor, is reflected from the iris and/or lens surface, and then passes out through the aqueous humor and cornea. The reflected radiation is collected and detected by a near-infrared sensor which measures the reflected energy in one or more wavelength bands. Comparison of the reflected energy with the source energy provides a measure of the spectral absorption by the eye which is characteristic of the composition of the cornea, the aqueous humor, and the other structures within the eye through which the energy is transmitted or from which it is reflected.

The above prior art shows that need still exists for an efficient method and device for performing on-line and real-time oxygenation measurement in the eye.

**OBJECTS OF THE INVENTION**

A general object of the present invention is to conduct on-line and real-time spectrometry oxygenation measurement in a patient's eye.

Another object of the present invention is to provide a spectrometry oxygenation measuring method and

device capable of scanning a plurality of points of a two-dimensional area of the fundus of the patient's eye in order to make a spectrometry oxygenation measurement.

**SUMMARY OF THE INVENTION**

More specifically, in accordance with the present invention, there is provided a spectrometry oxygenation measuring method comprising the steps of (a) producing a light beam having a predetermined spectral bandwidth by means of a light source, (b) propagating the light beam from the light source to a two-dimensional area of the fundus of a patient's eye, (c) reflecting at least in part the light beam on the fundus of the patient's eye to produce a reflected light beam, (d) by means of a detector unit, detecting the spectral content of the reflected light beam and producing a signal indicative of the spectral content of the reflected light beam, and (e) propagating the reflected light beam from the fundus of the patient's eye to the detector unit. The reflected light beam propagating step comprises the substep of scanning a plurality of points of the two-dimensional area of the fundus of the patient's eye, and this scanning substep comprises the substep of transmitting to the detector unit only a portion of the reflected light beam corresponding to the point of the two-dimensional area being scanned to thereby conduct at this point a spectrometry oxygenation measurement.

The present invention also relates to a spectrometry oxygenation measuring device comprising a light source, a first optical system, a detector unit, and a second optical system. The light source produces a light beam having a predetermined spectral bandwidth. The first optical system propagates the light beam from the light source to a two-dimensional area of the fundus of a patient's eye, the light beam being reflected at least in part by the fundus of the patient's eye to produce a reflected light beam. The detector unit detects the spectral content of the reflected light beam and produces a signal indicative of the spectral content of that reflected light beam. The second optical system propagates the reflected light beam from the fundus of the patient's eye to the detector unit. This second optical system comprises an optical scanning sub-system for scanning a plurality of points of the two-dimensional area of the fundus of the patient's eye, this optical scanning sub-system comprising optical elements for transmitting to the detector unit only a portion of the reflected light beam corresponding to the point of the two-dimensional area being scanned to thereby conduct at that point a spectrometry oxygenation measurement.

In accordance with a preferred embodiment of the spectrometry oxygenation measuring device:

the optical elements comprise:

- a first mirror rotating about a first axis and comprising at least one peripheral light-reflecting facet for deviating the reflected light beam as the first mirror rotates about the first axis; and
- a second mirror rotating about a second axis and comprising at least one peripheral light-reflecting facet for deviating the reflected light beam from the first mirror toward the detector unit;

the first and second rotation axes are perpendicular to each other, and the first rotation axis is perpendicular to the reflected light beam from the fundus of the patient's eye;

the optical elements further comprise a mirror situated between the second mirror and the detector unit, this mirror being formed with an opening for transmitting to the detector unit the above mentioned portion of the reflected light beam corresponding to the point being scanned.



In accordance with another preferred embodiment of the spectroreflectometry oxygenation measuring device:

the scanned points are slit-shaped points;

the optical elements comprise:

a first mirror rotating about a rotation axis and comprising at least one peripheral light-reflecting facet for deviating the reflected light beam as the first mirror rotates about the rotation axis; and

a second mirror formed with a slit opening for transmitting to the detector unit the portion of the reflected light beam corresponding to the slit-shaped point of the two-dimensional area being scanned.

The objects, advantages and other features of the present invention will become more apparent upon reading of the following non restrictive description of preferred embodiments thereof, given by way of example only with reference to the accompanying drawings.

### BRIEF DESCRIPTION OF THE DRAWINGS

In the appended drawings:

FIG. 1 is a schematic diagram of a preferred embodiment of the spectroreflectometry oxygenation measurement device according to the present invention;

FIG. 2 is a photograph showing the fundus of a patient's eye as displayed on a TV monitor to enable the operator to apply a light beam to a desired location of the fundus of the patient's eye;

FIG. 3 is a graph of absorbance (%) versus wavelength (nm) indicative of the spectroreflectometry oxygenation measurement;

FIG. 4 is a schematic diagram of another preferred embodiment of the spectroreflectometry oxygenation measurement device according to the present invention;

FIG. 5 is a schematic diagram of a preferred embodiment of a spectroreflectometry oxygenation measurement device according to the present invention, comprising an optical scanning system for full-spectrum reflectometry measurement of a two-dimensional area of the fundus of the eye;

FIG. 6 is a perspective view of a truncated pyramid rotating mirror of the optical scanning system of the spectroreflectometry oxygenation measurement device of FIG. 5;

FIG. 7 is a perspective view of a multi-sided drum-like rotating mirror of the optical scanning system of the spectroreflectometry oxygenation measurement device of FIG. 5;

FIG. 8 is a schematic diagram of another preferred embodiment of a spectroreflectometry oxygenation measurement device according to the present invention, comprising an optical scanning system for full-spectrum reflectometry measurement of a two-dimensional area of the fundus of the eye; and

FIG. 9 is a bottom plan view of a 45° mirror of the spectroreflectometry oxygenation measurement device of FIG. 8, comprising a central slit therein.

### DETAILED DESCRIPTION OF THE PREFERRED EMBODIMENT

The preferred embodiment of the on-line, real-time spectroreflectometry oxygenation measuring device as illustrated in FIG. 1 is generally identified by the reference 1 and comprises a fundus camera 2, a camera-to-spectrograph interface 3, and a detector unit formed of a spectrograph 4 and a CCD (Charge Coupled Device) detector array 5.

The fundus camera 2 is supported by a mechanical frame 70 schematically illustrated in FIG. 1.

Still referring to FIG. 1, the fundus camera 2 comprises a light source 6 for producing light having a predetermined relatively wide spectral (frequency) bandwidth optimized for spectroreflectometry oxygenation measurement. More specifically, as illustrated in FIG. 3, the spectroreflectometry oxygenation measurement of hemoglobin and its derivatives such as oxyhemoglobin and carboxyhemoglobin is preferably conducted within a spectral bandwidth including the range of wavelengths comprised between 450 nm and 850 nm.

Light from the source 6 is propagated from the light source 6 to a region of the fundus of the patient's eye 11 by a first optical system. This first optical system comprises:

a lens 7 to concentrate light generated by the source 6 into a light beam 8;

45° mirror 9 and 45° beam splitter 10 to reflect the light beam 8 twice and transmit that light beam 8 to the patient's eye 11 along a linear trajectory 14; and

a pair of lenses 12 and 13 mounted along the trajectory 14 to propagate the light beam 8 toward a region of the fundus of the patient's eye 11.

The intensity of the light beam 8 must be sufficiently low for being applied to the fundus of the patient's eye for the duration of the spectroreflectometry oxygenation measurement, without harming the patient's eye. For safety purposes, the light beam 8 of the spectroreflectometry oxygenation measurement device according to the invention has an intensity lower than 5 mW/cm<sup>2</sup>, which is safe for on-line spectroreflectometry measurement involving exposure time as long as 6 minutes.

As can be seen in FIG. 1, the fundus camera 2 is formed with a housing 17 defining a cylindrical portion 16 in which the pair of lenses 12 and 13 are mounted. The cylindrical portion 16 defines with the lens 12 the objective of the fundus camera 2. Obviously, the patient places his (or her) eye 11 close to and in front of the lens 12 of the fundus camera 2 for on-line and real-time spectroreflectometry oxygenation measurement purpose. Preferably, the patient will place his (or her) mandible on a chin rest for positional stability of his (or her) eye 11.

Light beam 8 is reflected at least in part by the fundus of the patient's eye 11 to produce a reflected light beam 15 having a geometrical longitudinal axis (not shown). A second optical system propagates the reflected light beam 15 along the linear trajectory 14 from the fundus of the patient's eye 11 to the detector unit (4, 5).

The second optical system comprises the pair of lenses 12 and 13, and the 45° beam splitter 10 to propagate the reflected light beam 15 from the fundus of the patient's eye 11 along the linear trajectory 14 toward the camera-to-spectrograph interface 3. 45° beam splitter 10 will cause no reflection of the reflected light beam 15 propagating along trajectory 14 from the fundus of the patient's eye 11 to the interface 3.

The second optical system also comprises a lens 18 and a 45° mirror 19 of the camera-to-spectrograph interface 3. More specifically, the lens 18 propagates the reflected light beam 15 along the linear trajectory 14 toward the 45° mirror 19. Mirror 19 defines an angle of 45° and comprises a central, axial opening 20 having a predetermined diameter centered on the geometrical longitudinal axis of the reflected light beam 15. Of course, the central axial opening 20 will transmit to the detector unit (4, 5) only the axial central portion of the reflected light beam 15. The second optical

system further comprises axial apertures such as **34**, **35** and **36** provided in the housings of the camera-to-interface **3** and spectrograph **4** to enable the axial central portion of the reflected light beam **15** to reach the spectrograph **4**.

Just a word to mention that the use of the axial central portion of the reflected light beam enables selection of a small precise area which is optimal for oxygenation measurement of specific structures such as the blindspot, arteries, veins, etc.

The mirror **19** comprises a light-reflecting annular surface **37** surrounding the axial central opening **20**. The reflected light beam **15** comprises an axial peripheral portion surrounding the axial central portion and reflected by the light-reflecting annular surface **37** of the mirror. As illustrated in FIG. **1**, the axial peripheral portion of the reflected light beam **15** is deviated by  $90^\circ$  by reflection on the light-reflecting annular surface **37** of the  $45^\circ$  mirror **19** to propagate toward a TV camera **21** through a lens **22** of the camera-to-spectrograph interface **3**.

The image sensed by the TV camera **21** is displayed on a TV monitor **31** through a cable **23**. This enables the operator to visualize the fundus of the patient's eye and the location of the axial central opening **20** on the fundus of the patient's eye, and therefore to select the small central area of interest where spectroreflectometry oxygenation measurement is desired.

The spectrograph **4** comprises a first concave mirror **24** having a generally elliptical cross section to receive the axial central portion of the reflected light beam **15** and to deflect this axial central light beam portion toward a generally planar diffraction grating **25**. Diffraction grating **25** consists of an array of narrow slits or grooves which produce a large number of beams interfering with each other to produce a light spectrum. As it is well known to those of ordinary skill in the art, this light spectrum includes light components of the axial central portion of the reflected light beam **15** arranged in order of wavelength. The produced light spectrum is reflected by a second concave mirror **26** also having a generally elliptical cross section and deviated toward the CCD detector array **5**.

In other words, the diffraction grating **25** separates the light components of different wavelengths within the range comprised between 450 nm and 850 nm. The intensities of the light components of different wavelengths of the light spectrum are detected and measured by the CCD detector array **5**. For example, the CCD detector array **5** consists of a two-dimensional array comprising 1024 columns and 256 rows of light detectors, in which the rows are summed for each column to give a readout (output signal) indicative of the spectral content of the reflected light beam **15**.

The readout (output signal) from the CCD detector array **5** is transmitted to a computer station (not shown) through an electric cable **27**. This computer station is responsive to the measured intensities of the components of different wavelengths of the light spectrum for computing and displaying a graph of absorbance of the precise small area of the fundus of the patient's eye as a function of wavelength.

An example of image sensed by the TV camera **21** and displayed on the monitor **31** is shown (scale 1:1) on FIG. **2** of the appended drawings. More specifically, FIG. **2** shows the fundus **28** of the patient's eye and a black spot **29**. The black spot **29** is produced by the axial opening **20** of the  $45^\circ$  mirror **19** and corresponds to the axial central portion of the reflected light beam **15** transmitted to the detector unit (spectrograph **4** and CCD detector array **5**). Therefore, the black spot **29** indicates the precise small area of the fundus **28** of the patient's eye **11** which is analysed for oxygen

content. Accordingly, the image on the monitor **31** will enable the operator to position as desired the black spot **29** on the fundus **28** of the patient's eye, by moving the fixation point of the patient relative to the axis of the propagation path **14**.

For example, in the case of glaucoma, the oxygenation measurement can be taken in the region of the optic nerve. Those of ordinary skill in the art know that glaucoma identifies eye diseases characterized by an increase of the intraocular pressure, causing (a) hardening of the eyeball, (b) atrophy of the optic nerve accompanied by a physiologic excavation of the optic disk, (c) narrowing of the field of vision, and (d) a more or less important reduction of the visual acuity. In FIG. **2**, the region of the optic nerve corresponds to the white region **32**. In the case of glaucoma, oxygenation measurement is preferably conducted in a plurality of different positions of the black spot **29** in the region **32** and around that region **32**.

It should however be kept in mind that the above example related to glaucoma is not intended to limit positioning of the black spot **29** on the fundus **28** of the patient's eye **11**. In fact, the position of the black spot **29** on the fundus **28** of the patient's eye is selected in relation to the intended purpose of the spectroreflectometry oxygenation measurement.

FIG. **3** illustrates a graph of absorbance (%) versus wavelength (nm). Display of this graph by the monitor of the computer station will indicate to the operator the percentage of absorption of the different light wavelengths by the fundus **28** of the patient's eye **11**. In particular, the amount of absorption between wavelengths 500–600 nm relative to the spectral bandwidth region between 650–700 nm represents the relative amount of hemoglobin content in the blood, while the characteristic peaks **40** and **41** and trough **42** represent the relative oxygenation of the hemoglobin and thus the oxygen content. The greater the difference between the peaks **40** and **41** and the troughs **42** as shown in the two curves in FIG. **3** the more the blood is oxygenated. Similarly the zone between 700 and 850 nm can be analysed for the carbonylhemoglobin content.

The graph of FIG. **3** includes two curves to show the difference between results obtained when different levels of oxygenation are present: the curve "deoxygenated hemoglobin" corresponds to lack of oxygenation and the curve "oxygenated hemoglobin" corresponds to detection of oxygenation.

In the range of wavelengths 450–600 nm, the shape of the curve between the two peaks **40** and **41** is indicative of the ratio between "deoxygenated hemoglobin" and "oxygenated hemoglobin". Model curves can then be used to evaluate the degree of oxygenation.

In the range of wavelengths 600–850 nm, the presence of a peak at a particular wavelength may indicate the presence of a particular substance and/or a corresponding contamination, to thereby identify and diagnose a given pathology.

Also, the range of wavelengths 450–850 nm further presents the advantage of including wavelengths to which each portion of a patient's eye are transparent. In other words, all the portions of the patient's eye will be transparent to at least some wavelengths of the range 450–850 nm whereby spectroreflectometry oxygenation measurements can be made in any region of the patient's eye including the pigmented regions.

It should also be kept in mind that, although a graph is shown as non limitative example in FIG. **3** of the appended drawings, tables and/or other data related to the spectroreflectometry oxygenation measurement can be displayed on

the monitor of the computer station (not shown) connected to the CCD detector array **5** through the cable **27**.

In the preferred embodiment of FIG. **4**, the camera-to-spectrograph interface **3** has been incorporated into a portable, hand-held fundus camera **30** (ophthalmoscope). The second optical system then comprises an optical fiber **33** to connect the output of the camera-to-spectrograph interface **3** to the input of the spectrograph **4**, i.e. to transmit the axial central portion of the reflected light beam **15** from the camera-to-spectrograph interface **3** to the spectrograph **4**. Otherwise, the structure and operation of the spectroreflectometry oxygenation measurement device is unchanged with respect to the embodiment of FIG. **1**.

The embodiment of FIG. **1**, including a fixed fundus camera **2**, is suitable for use with persons capable of moving and to place their mandible on a chin rest. The embodiment of FIG. **4**, including a portable fundus camera **2**, is suitable for incapacitated persons, for example persons sitting in a wheelchair, confined to bed or transported in an ambulance.

Accordingly, the spectroreflectometry oxygenation measurement device according to the invention is non-invasive and capable of performing, on-line and in real time, an in-vivo spectroreflectometry oxygenation measurement on the fundus of the patient's eye. For that purpose, the on-line spectroreflectometry oxygenation measurement device (a) uses a single light beam **8** having a spectral bandwidth including all the wavelengths (450 nm–850 nm) useful for spectroreflectometry oxygenation measurement and transmitted to a given region of the fundus of the patient's eye, and (b) transmits to the spectrograph **4** the most useful information of the light beam **15** reflected from the fundus of the patient's eye (central portion of the light beam **15**) for spectroreflectometry oxygenation measurement purpose through the central axial hole **20** of the 45° mirror **19**.

Also, the non-invasive spectroreflectometry oxygenation measurement device uses a display system including a TV camera **21** and monitor **31** providing for direct visualization of the fundus of the patient's eye coupled with a spectroreflectometry detector unit (spectrograph **4** and CCD detector array **5**) providing for on-line, real-time oxygenation measurement over a large spectral bandwidth. This results in characterizing absorbance at precise locations of the spectrum corresponding to the unique characteristic of the oxygen content in the blood. With the same spectroreflectometry oxygenation measurement device, it is also possible to measure hemoglobin and most of its derivatives (e.g. oxyhemoglobin, carbonylhemoglobin, etc.).

The range of potential applications of the spectroreflectometry oxygenation measurement device according to the invention is extremely large. The diagnostic potential of directly measuring oxygenation in the eye, on-line and in real time, for visual pathologies is obvious. The medical assessment of almost all visual pathologies such as diabetic retinopathy, glaucoma, macular degeneration, retinal detachment, rod/cone dystrophies, etc., including direct consequences of laser surgery in treatment would benefit from using such a procedure. In fact, the advantage of such a procedure goes beyond the assessment of visual pathologies but expands to the medical management of toxicity, effects of medication, vascular diseases in general, and many other areas. Furthermore, the impact of on-line measurement of hemoglobin and oxygen of patients under surgery or premature babies is of great medical significance.

With the spectroreflectometry oxygenation measurement device, one just needs to stop breathing for several seconds to see the changes of oxygenation in real time, for example on the graph of FIG. **3**. The effect is reversed when the

subject starts breathing again. The same phenomenon is produced by applying a slight pressure to the eye to reduce the blood flow and oxygen content within the eye.

The inventors have conducted a study comparing the oxygenation changes in the eye with blood pressure changes and have compared these changes directly with oxygenation changes in the arm caused by applying pressure. The results of this study are perfectly clear and consistent. All subjects show a decrease of oxygen with increase pressure both in the eye and the arm. In fact, the same subjects show similar pattern changes in the eye and in the arm. This demonstrates that on-line and real time spectroreflectometry oxygenation measurement on the fundus of the eye is of great significance.

FIG. **5** illustrates a further preferred embodiment **50** of the spectroreflectometry oxygenation measurement device according to the present invention. The spectroreflectometry oxygenation measurement device **50** of FIG. **5** is generally similar to the spectroreflectometry oxygenation measurement device **1** of FIG. **1**, but is provided with a two-dimensional optical scanning system **51**. Accordingly, the corresponding elements will be identified by the same reference numerals.

The embodiment of the optical scanning system **51** as illustrated in FIG. **5** comprises a multi-sided drum-like rotating prismatic mirror **52** and a truncated pyramid rotating mirror **53**.

The multi-sided drum-like prismatic rotating mirror **52** rotates about a transversal, generally horizontal axis **54** in direction **55**. Truncated pyramid rotating mirror **53** rotates about a longitudinal, generally horizontal axis **56** in direction **57**. As illustrated in FIG. **5**, axes **54** and **56** are perpendicular to each other.

Multi-sided drum-like rotating mirror **52** comprises, as shown in FIG. **7**, two opposite and parallel flat faces **58** and **59** delimiting the thickness of the rotating mirror **52**, and a series of eight (8) tangential, peripheral light-reflecting facets such as **60**. It should be kept in mind that a number of peripheral light-reflecting facets such as **60** different from eight (8) can be used (not shown), and that these peripheral light-reflecting facets such as **60** can be concave (not shown). Truncated pyramid rotating mirror **53** comprises, as shown in FIG. **6**, two opposite and parallel flat faces **61** and **62** delimiting the thickness of mirror **53**, and a series of eight (8) peripheral light-reflecting facets such as **63** converging at the same angle toward the rotation axis **56**. Again, it should be kept in mind that a number of peripheral light-reflecting facets such as **63** different from eight (8) can be used (not shown), and that the peripheral light-reflecting facets such as **63** can be concave (not shown).

Referring back to FIG. **5**, the light beam **15** reflected by the fundus of the patient's eye **11** and propagating along the linear trajectory **14** reflects on one of the facets **60** to deviate toward one of the facets **63**, and reflects on the latter facet **63** to deviate along a linear trajectory **64**. The light beam **15** then propagates along the linear trajectory **64** toward the mirror **19**. Again, the axial central portion of the reflected light beam **15** propagates toward the detector unit (**4**, **5**) through the central axial opening **20** of the mirror **19**. The axial peripheral portion of the reflected light beam **15** surrounding the axial central portion thereof is reflected by the light-reflecting annular surface **37** of mirror **19** surrounding the opening **20** to deviate toward the camera **21** through a lens **22** of the camera-to-spectrograph interface **3**.

As can be appreciated by those of ordinary skill in the art, rotation of the multi-sided drum-like mirror **52** in direction **55** produces along the linear trajectory **64** a vertical sweep

of a two-dimensional area of the fundus of the patient's eye **11**. A vertical sweep is produced at each passage of one facet **60**.

Rotation of the truncated pyramid mirror **53** produces along the linear trajectory **64** a horizontal sweep of the two-dimensional area of the fundus of the patient's eye **11**. A horizontal sweep is produced at each passage of one facet **63**.

For instance, if the two-dimensional image of the two-dimensional area of the fundus of the patient's eye is composed of  $m$  points on the horizontal  $x$ -axis and of  $n$  points on the vertical  $y$ -axis, the rotational speed of the truncated pyramid mirror **53** will be equal to  $n$  times the rotational speed of the multi-sided drum-like mirror **52** (this is true for the condition where the number of light-reflecting facets **60** of the multi-sided drum-like rotating mirror **52** is equal to the number of light-reflecting facets **63** of the truncated pyramid mirror **53**). In this manner the reflected light beam **15** will scan the  $m \times n$  points of the two-dimensional area of the fundus of the patient's eye **11** to form a corresponding two-dimensional image at each passage of a facet **60** of the multi-sided drum-like rotating mirror **52**.

Those of ordinary skill in the art will appreciate that the axial central portion of reflected light beam propagating along the linear trajectory **64** toward the detector unit (**4**, **5**) through the central axial opening **20** of the mirror **19** corresponds to the point of the two-dimensional area of the fundus of the patient's eye **11** being scanned and is representative of a spectrometry oxygenation measurement conducted at this point being scanned.

Therefore, this approach is capable of conducting the same kinds of measurements as the one-dimensional design of FIGS. **1** and **4** but over a predetermined two-dimensional area. By appropriately adjusting the angular positions of the mirrors **52** and **53** about their respective axes **54** and **56**, the design of FIG. **5** has the additional advantage of enabling the operator to reposition a measurement point on different areas of the fundus of the patient's eye **11**; the patient does not have to move his (her) eyes to reposition the measurement point.

In the embodiment of the two-dimensional scanning system **51** of FIG. **5**:

the truncated pyramid rotating mirror **53** can be replaced by a drum-like prismatic rotating mirror (not shown), similar to mirror **52**, but having an axis of rotation still perpendicular to rotation axis **54** but defining an angle of, for example,  $45^\circ$  with respect to the horizontal; and at least one of the multi-sided drum-like prismatic mirror **52** and the truncated pyramid rotating mirror **53** can be replaced by a galvanometer mirror (not shown), such as a galvanometer mirror being well known to those of ordinary skill in the art and, accordingly, will not be further described in the present specification.

FIG. **8** illustrates a further implementation of the spectrometry oxygenation measurement device according to the invention, comprising a scanning system.

The spectrometry oxygenation measurement device **80** of FIG. **8** is generally similar to the spectrometry oxygenation measurement device **50** of FIG. **5**, but comprise an alternative version **81** of the optical scanning system. Again, the corresponding elements will be identified by the same reference numerals.

The optical scanning system **81** comprises a multi-sided drum-like rotating mirror **82** and a slit **83** (see FIG. **9**) formed in the  $45^\circ$  mirror **19**.

The multi-sided drum-like rotating mirror **82** rotates about a transversal, generally horizontal axis **84** in direction **85**.

Multi-sided drum-like rotating mirror **82** is identical to multi-sided drum-like rotating mirror **52** and comprises, as shown in FIG. **8**, two opposite and parallel flat faces such as **86** to delimit the thickness of this mirror **82**, and a series of eight (8) tangential, peripheral light-reflecting flat facets such as **87**. It should be kept in mind that a number of peripheral light-reflecting facets such as **87** different from eight (8) can be used (not shown), and that the peripheral light-reflecting facets such as **87** can be concave (not shown).

The light beam **15** reflected by the fundus of the patient's eye **11** and propagating along the linear trajectory **14** reflects on one of the facets **87** to deviate toward the mirror **19**. A deviated light beam then propagates along a linear trajectory **88** through the slit **83** to reach the detector unit (**4**, **5**). The axial peripheral portion of the reflected light beam **15** is reflected by a light-reflecting annular surface **89** surrounding the slit **83** to deviate toward the camera **21** through the lens **22** of the camera-to-spectrograph interface **3**.

As can be appreciated by those of ordinary skill in the art, rotation of the multi-sided drum-like mirror **82** in direction **85** produces along the linear trajectory **88** a vertical sweep of a two-dimensional area of the fundus of the patient's eye **11**. A vertical sweep is produced at each passage of one facet **87**. More specifically, the spectrometry oxygenation measurement device of FIG. **8** produces a reflected slit-shaped light beam **15**. Rotation of the multi-sided drum-like mirror **82** in direction **85** produces along the linear trajectory **88** a vertical sweep of the slit-shaped light beam **15** to cover the entire two-dimensional area of the fundus of the patient's eye **11**.

Therefore, in the embodiment of FIG. **8**, a plurality of slit-shaped points are scanned vertically at each sweep to cover the two-dimensional area of the fundus of the patient's eye.

The design of FIG. **8** enables the use of a single multi-sided drum-like mirror **82** where the slit-shaped light beam is distributed over a detector column. The design presented in FIG. **8** constitutes a further two-dimensional implementation of the system.

Again, the slit-shaped reflected and deviated light beam corresponding to each scan propagates toward the detector unit (**4**, **5**) through the slit **83** of the mirror **19** and along the trajectory **88** for analysis purposes.

Of course, the concave mirrors **24** and **26**, the diffraction grating **25**, and the CCD detector array **5** are adapted for the analysis of the slit-shaped reflected and deviated light beam. More specifically, the spectrograph **5** and CCD detector array **5** operates in the "imaging" mode. In the "imaging mode", a portion of the reflected light beam **15** is propagated through the slit **83** to form a slit light beam transmitted to the spectrograph **4**. The spectrograph **4** spreads apart light in the direction perpendicular to the slit light beam, and the spread apart light beam is projected onto the CCD detector array **5**. The different lines of the CCD array detector **5** respectively detect, in the direction perpendicular to the slit light beam, the chromatic components of corresponding portions of the slit light beam.

In the embodiment of the scanning system **81** of FIG. **9**: the multi-sided drum-like prismatic mirror **86** can be replaced by a galvanometer mirror (not shown); and the multi-sided drum-like prismatic mirror **82** can be replaced by a double-axis galvanometer mirror (not shown) to deviate, by means of a single light-reflecting surface, the reflected light beam toward the opening of the mirror **19**, the single light-reflecting surface of this double-axis galvanometer mirror being rotatable about

two axes to enable scanning of the two-dimensional area of the fundus of the patient's eye **11**. The opening of the mirror **19** can then be a slit such as **83** or a central axial opening as illustrated in FIG. **5**.

Although the present invention has been described hereinabove by way of preferred embodiments thereof, these embodiments can be modified at will, within the scope of the appended claims, without departing from the spirit and nature of the subject invention.

What is claimed is:

**1.** A spectroreflectometry oxygenation measuring device, comprising:

a light source for producing a light beam having a predetermined spectral bandwidth;

a first optical system for propagating the light beam from the light source to a two-dimensional area of the fundus of a patient's eye, the light beam being reflected at least in part by the fundus of the patient's eye to produce a reflected light beam;

a detector unit for detecting the spectral content of the reflected light beam and for producing a signal indicative of the spectral content of said reflected light beam; and

a second optical system for propagating the reflected light beam from the fundus of the patient's eye to the detector unit, wherein said second optical system comprises:

an optical scanning sub-system for scanning a plurality of points of the two-dimensional area of the fundus of the patient's eye, said optical scanning sub-system comprising:

optical elements for transmitting to the detector unit only a portion of the reflected light beam corresponding to the point of said two-dimensional area being scanned to thereby conduct at said point a spectroreflectometry oxygenation measurement.

**2.** The spectroreflectometry oxygenation measuring device as recited in claim **1**, wherein the predetermined spectral bandwidth includes a range of wavelengths comprised between 450 nm and 850 nm.

**3.** The spectroreflectometry oxygenation measuring device as recited in claim **1**, wherein the detector unit comprises:

a spectrograph responsive to said portion of the reflected light beam to produce a light spectrum including light components of said portion of the reflected light beam arranged in order of wavelengths; and

an array of detectors for measuring intensities of the light components of different wavelengths of the light spectrum.

**4.** The spectroreflectometry oxygenation measuring device as recited in claim **1**, wherein the light beam produced by the light source has an intensity sufficiently low for being applied to the fundus of the patient's eye for the duration of the spectroreflectometry oxygenation measurement while causing no harm to the patient's eye.

**5.** The spectroreflectometry oxygenation measuring device as recited in claim **1**, wherein said optical elements comprise:

a first mirror rotating about a first axis and comprising at least one peripheral light-reflecting facet for deviating the reflected light beam as the first mirror rotates about the first axis; and

a second mirror rotating about a second axis and comprising at least one peripheral light-reflecting facet for deviating the reflected light beam from the first mirror toward the detector unit.

**6.** The spectroreflectometry oxygenation measuring device as recited in claim **5**, wherein the first and second axes are perpendicular to each other, and wherein the first axis is perpendicular to the reflected light beam from the fundus of the patient's eye.

**7.** The spectroreflectometry oxygenation measuring device as recited in claim **5**, wherein said optical elements further comprise a mirror situated between the second mirror and the detector unit, this mirror being formed with an opening for transmitting to the detector unit the above mentioned portion of the reflected light beam corresponding to the point being scanned.

**8.** The spectroreflectometry oxygenation measuring device as recited in claim **1**, wherein the scanned points are slit-shaped points, and wherein said optical elements comprise:

a first mirror rotating about a rotation axis and comprising at least one peripheral light-reflecting facet for deviating the reflected light beam as the first mirror rotates about the rotation axis; and

a second mirror formed with a slit opening for transmitting to the detector unit the portion of the reflected light beam corresponding to the slit-shaped point of the two-dimensional area being scanned.

**9.** A spectroreflectometry oxygenation measuring method comprising the steps of:

producing a light beam having a predetermined spectral bandwidth by means of a light source;

propagating the light beam from the light source to a two-dimensional area of the fundus of a patient's eye; reflecting at least in part the light beam on the fundus of the patient's eye to produce a reflected light beam;

by means of a detector unit, detecting the spectral content of the reflected light beam and producing a signal indicative of the spectral content of said reflected light beam; and

propagating the reflected light beam from the fundus of the patient's eye to the detector unit, wherein said reflected light beam propagating step comprises the substep of:

scanning a plurality of points of the two-dimensional area of the fundus of the patient's eye, said scanning substep comprising the substep of:

transmitting to the detector unit only a portion of the reflected light beam corresponding to the point of said two-dimensional area being scanned to thereby conduct at said point a spectroreflectometry oxygenation measurement.

**10.** The spectroreflectometry oxygenation measuring method as recited in claim **9**, wherein said light beam producing step comprises producing a light beam having a spectral bandwidth including a range of wavelengths comprised between 450 nm and 850 nm.

**11.** The spectroreflectometry oxygenation measuring method as recited in claim **9**, wherein the light beam producing step comprises producing a light beam having an intensity sufficiently low for being applied to the fundus of the patient's eye for the duration of the spectroreflectometry oxygenation measurement while causing no harm to the patient's eye.

**12.** The spectroreflectometry oxygenation measuring method as recited in claim **9**, wherein said scanning substep comprises:

rotating about a first axis a first mirror comprising at least one light-reflecting facet for deviating the reflected light beam as said first mirror rotates about the first axis; and

**13**

rotating about a second axis a second mirror comprising at least one light-reflecting facet for deviating the reflected light beam from the first mirror toward the detector unit.

**13.** The spectroreflectometry oxygenation measuring method as recited in claim **12**, wherein said transmitting substep comprises transmitting to the detector unit said portion of the reflected light beam corresponding to the point of said two-dimensional area being scanned through an opening of a third mirror situated between the second mirror and the detector unit.

**14.** The spectroreflectometry oxygenation measuring method as recited in claim **9**, wherein:

**14**

the scanned points are slit-shaped points;

the scanning substep comprises rotating about a rotation axis a first mirror comprising at least one light-reflecting facet for deviating the reflected light beam as said first mirror rotates about said rotation axis; and

the transmitting substep comprises transmitting to the detector unit and through a slit opening of a second mirror said portion of the reflected light beam corresponding to the slit-shaped point of said two-dimensional area being scanned.

\* \* \* \* \*