

Technical data sheet

# Mobile Bleacher Seating

## Technical description

Rugged, outdoor, all-weather, code-compliant grandstand bleacher seating featuring fast installation for significantly increased utility and flexibility. All-weather aluminum seat and footboards with anodized finish to protect spectator clothing. Comfortable 24" row spacing.

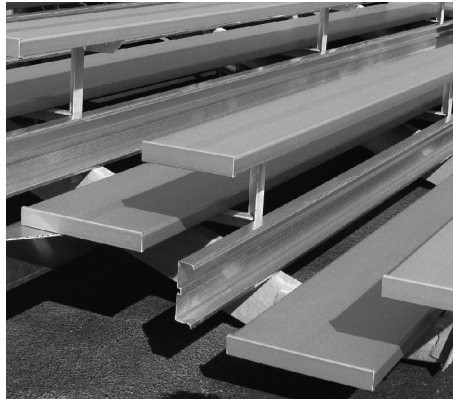
Mobile Bleachers can be the last in and first out, making way for fast site reconfiguration, offering event planners more flexibility than with other bleacher systems. Applications include parades, fairs, races, sporting events, air shows, graduations, tournaments, rallies, fund raising events, promotions, demonstrations & training.



## Construction details – Quality, stability and safety



Four foot aisle with aluminum handrails and steps with marked front edges. Uniform seat slope increases safety when walking up or down bleachers.



One-piece foot planks offer increased walking stability and safety.



Spectator-friendly rounded aluminum guardrails with vertical balustrades.



Cantilevered upper seat rows allow bleacher to be positioned at far back edge of surface or walkway, or overhang surface obstructions, increasing available area for front walkway.



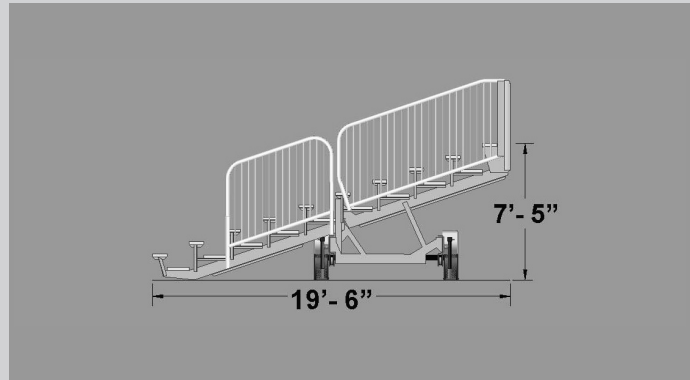
Seating can be easily relocated to other event areas and sites within hours.

## Technical specifications

- 10 row seating
- Galvanized steel support structure
- Anodized seat and footboards
- Multiple support jacks for use on soft surfaces
- Lighter weight for reduced site impact
- Tandem axle equalizer suspension accommodates off-road towing
- Full length seat planks
- Highway towable



- Consistent, uniform code compliant seat slope
- Concealed hinge points
- Aluminum Guardrails
- Vertical balustrades
- Towing hitch removes/retracts allowing end to end bleacher placement



## Product advantages

The Mobile Bleacher Seating is functional:

- Quick bleacher setup allows last-minute seating installation
- Immediate after-event removal
- Quickly returning the site to other uses
- One person set up
- Reduced site impact
- Integral safety guardrails
- Environmentally friendly seating
- Outdoor weather-resistant durability
- Options to meet local code requirements
- Easily moved across the field or across town
- Offers the fastest set up of any bleacher system
- Lighter weight of mobile bleachers makes for easier towing

## Applications

The Mobile Bleacher Seating is flexible:

- Outdoor - indoor sporting events
- Race track events
- Outdoor concerts
- Community parades
- Golf tournaments
- School commencements