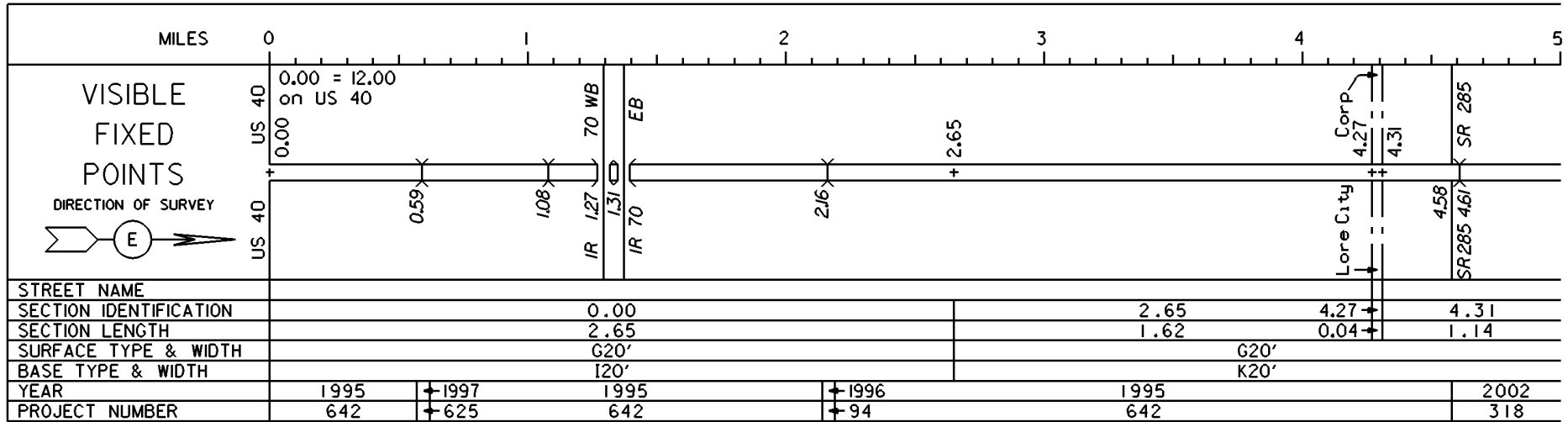
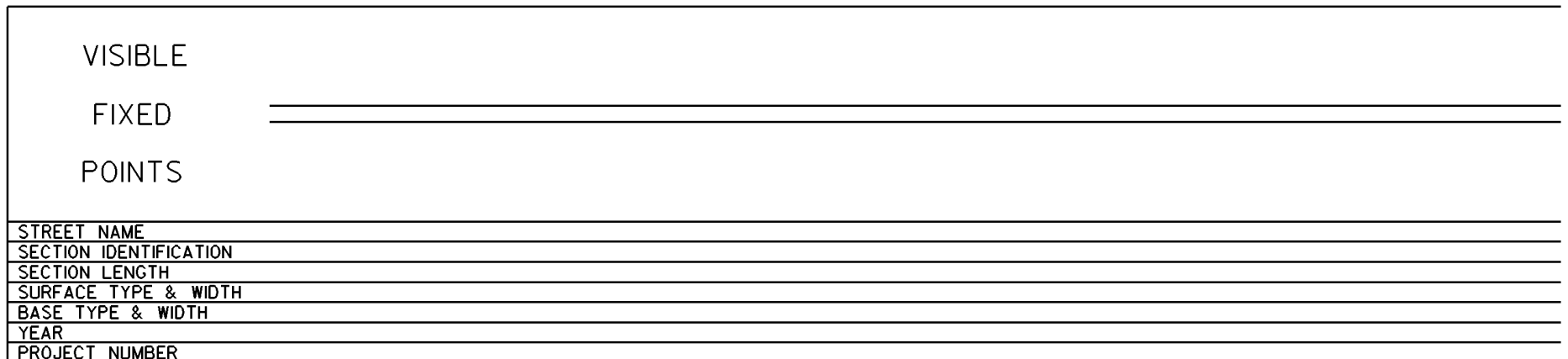
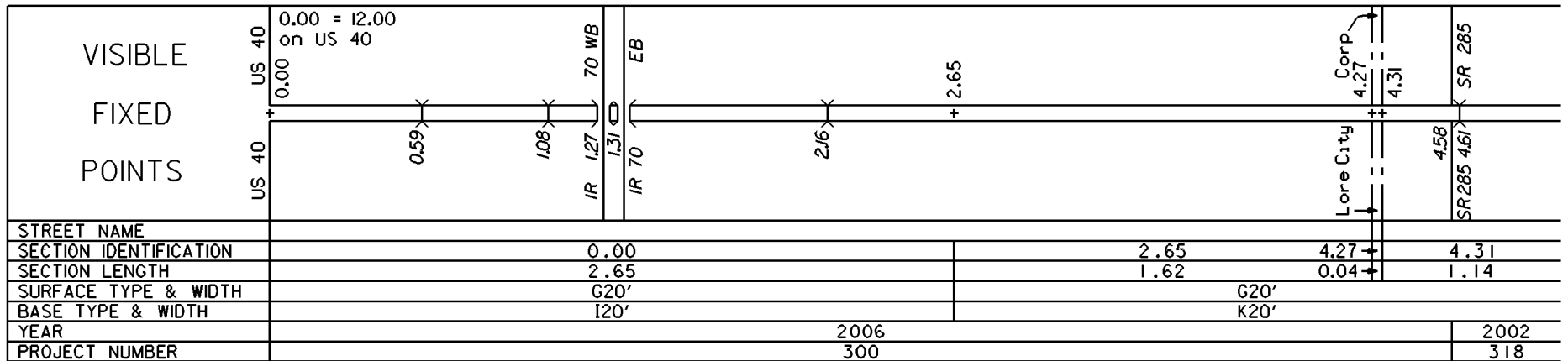


STATE OF OHIO - DEPARTMENT OF TRANSPORTATION
STATE ROUTE SECTIONS ON CONTINUOUS MILEAGE STATIONING

DISTRICT 5
COUNTY GUERNSEY
ROUTE SR 265

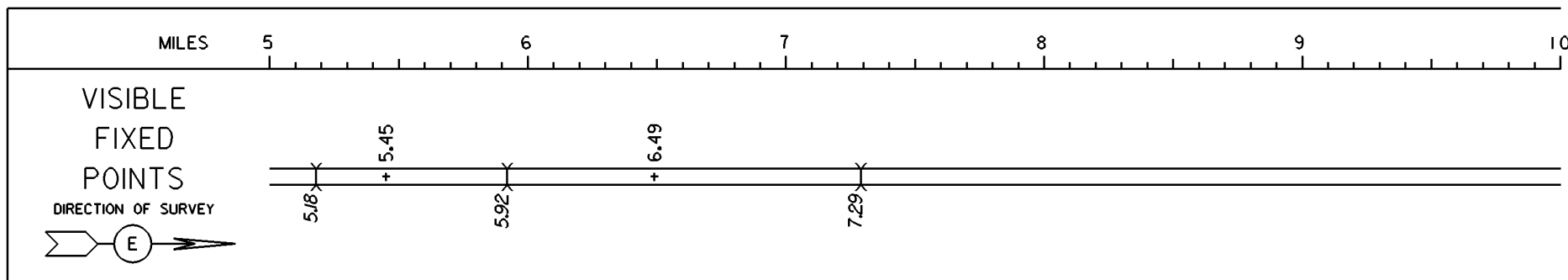


PERPETUATION



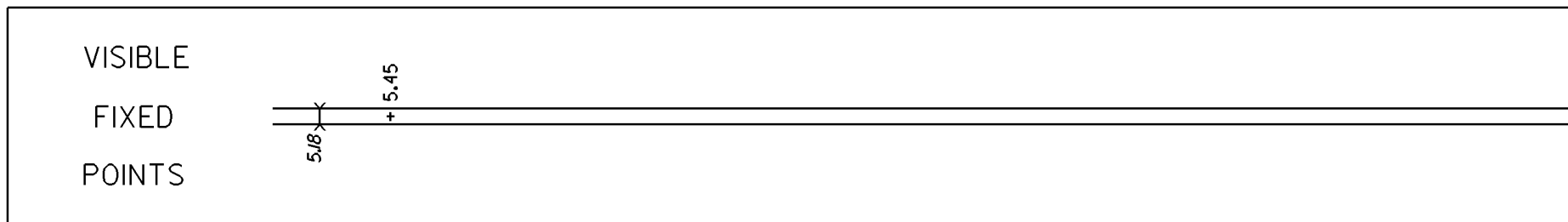
STATE OF OHIO - DEPARTMENT OF TRANSPORTATION
STATE ROUTE SECTIONS ON CONTINUOUS MILEAGE STATIONING

DISTRICT 5
COUNTY GUERNSEY
ROUTE SR 265

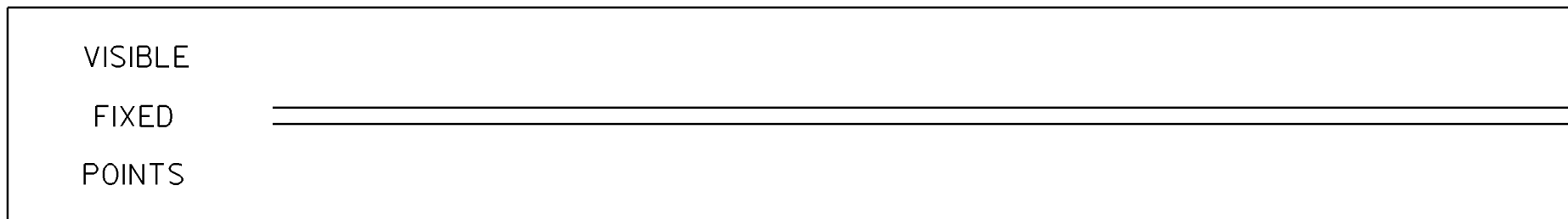


STREET NAME		
SECTION IDENTIFICATION	4.31	5.45
SECTION LENGTH	1.14	1.04
SURFACE TYPE & WIDTH	G20'	G18'
BASE TYPE & WIDTH	K20'	K18'
YEAR	2002	
PROJECT NUMBER	318	

PERPETUATION



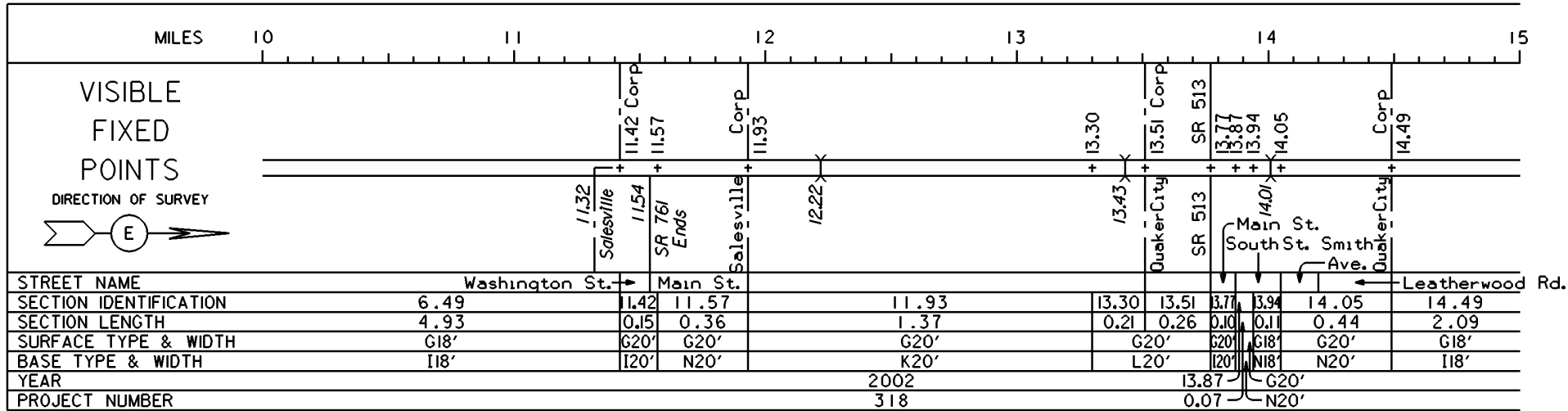
STREET NAME		
SECTION IDENTIFICATION	4.31	
SECTION LENGTH	1.14	
SURFACE TYPE & WIDTH	G20'	
BASE TYPE & WIDTH	K20'	
YEAR	2002	
PROJECT NUMBER	318	



STREET NAME		
SECTION IDENTIFICATION		
SECTION LENGTH		
SURFACE TYPE & WIDTH		
BASE TYPE & WIDTH		
YEAR		
PROJECT NUMBER		

STATE OF OHIO - DEPARTMENT OF TRANSPORTATION
STATE ROUTE SECTIONS ON CONTINUOUS MILEAGE STATIONING

DISTRICT 5
COUNTY GUERNSEY
ROUTE SR 265



PERPETUATION

VISIBLE
FIXED
POINTS

STREET NAME _____
SECTION IDENTIFICATION _____
SECTION LENGTH _____
SURFACE TYPE & WIDTH _____
BASE TYPE & WIDTH _____
YEAR _____
PROJECT NUMBER _____

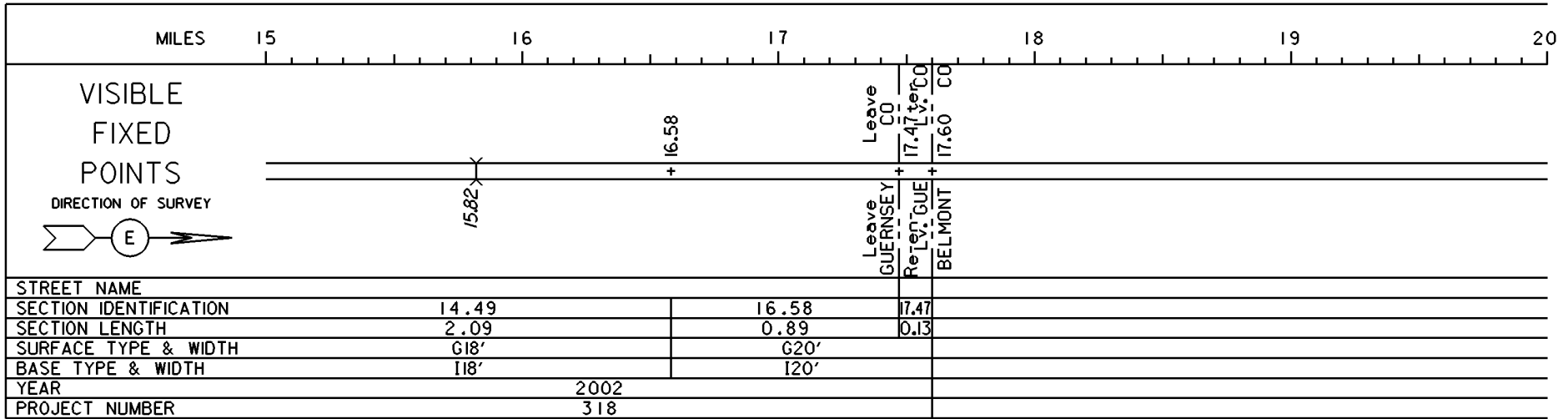
VISIBLE
FIXED
POINTS

STREET NAME _____
SECTION IDENTIFICATION _____
SECTION LENGTH _____
SURFACE TYPE & WIDTH _____
BASE TYPE & WIDTH _____
YEAR _____
PROJECT NUMBER _____

STATE OF OHIO - DEPARTMENT OF TRANSPORTATION

STATE ROUTE SECTIONS ON CONTINUOUS MILEAGE STATIONING

DISTRICT 5
 COUNTY GUERNSEY
 ROUTE SR 265



PERPETUATION

