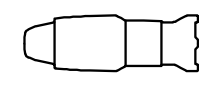
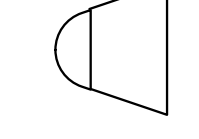

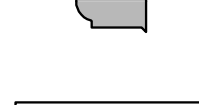

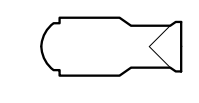

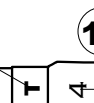

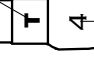

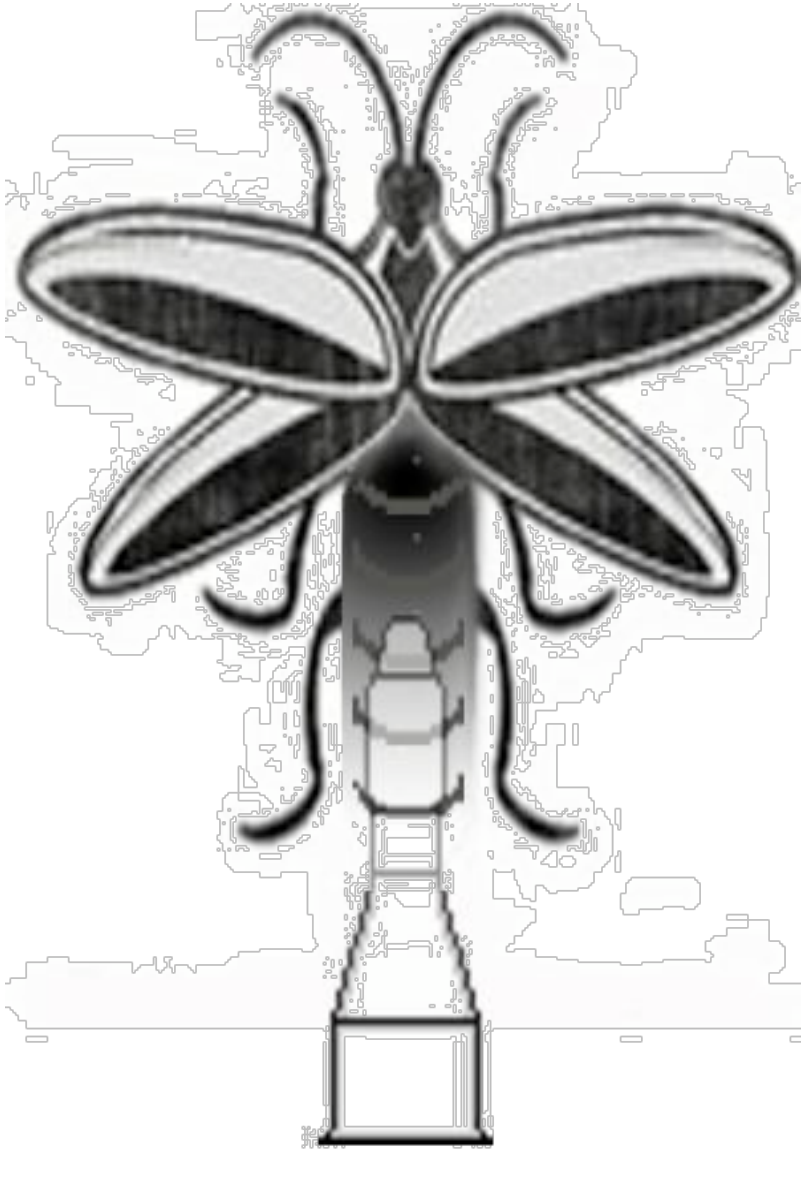


Key / Legend

-  ETC Source4 36 Degree @ 575W
  -  16" Scoop @ 1kW
  -  6" Fresnel @ 500W
  -  6" Fresnel @ 1kW
  -  DeSisti Softlight @ 1kW
  -  Altman 360Q 6x9 @ 575W
- Template  Channel Number 
- Color  Unit Number 
- Unit Type 



# Gene Frankel Theater

## Repertory LIGHT PLOT

Lighting Design : Vadim Ledvin

Venue : The Gene Frankel Theatre

Date : April 1, 2011

Scale : 1'-0" = 1/2"

Plate : 1 of 1

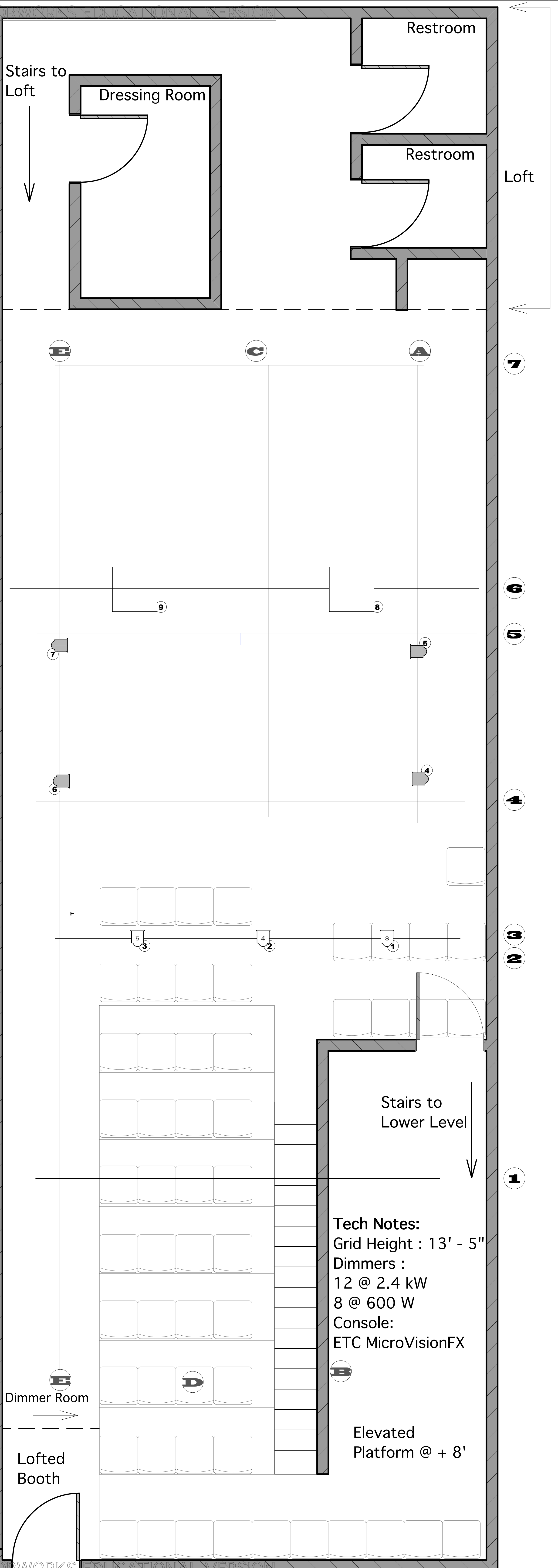
Revision # 2

Contact: 917 650 1909  
Vadim.Ledvin@Gmail.com

Disclaimer: THIS IS A CONCEPTUAL DRAWING ONLY. DESIGNER ASSUMES NO RESPONSIBILITY FOR STRUCTURAL INTEGRITY OR STABILITY OF THE RIG, AND WILL CLAIM NO RESPONSIBILITY FOR ANY INCIDENTS CAUSED IN THE INSTALLATION OR MPLEMENTATION THEREOF.

Notes:

- Please run all cable above and over grid pipes
- Please gaff and label all connections
- Please keep track of gear sources for strike
- Please mind various channel wattages and dimmer capacities
- Do not cut zip ties or move house home runs - use jumpers
- Do not remove or destroy house home run tables
- Limited amount of barn Doors and Top hats available
- Please remember to eat lunch
- Renter responsible for restoring rep plot.
- Renter responsible for replacing bunt out lamps



**Tech Notes:**  
 Grid Height : 13' - 5"  
 Dimmers :  
 12 @ 2.4 kW  
 8 @ 600 W  
 Console:  
 ETC MicroVisionFX

**Elevated Platform @ + 8'**

# The Gene Frankel Theater