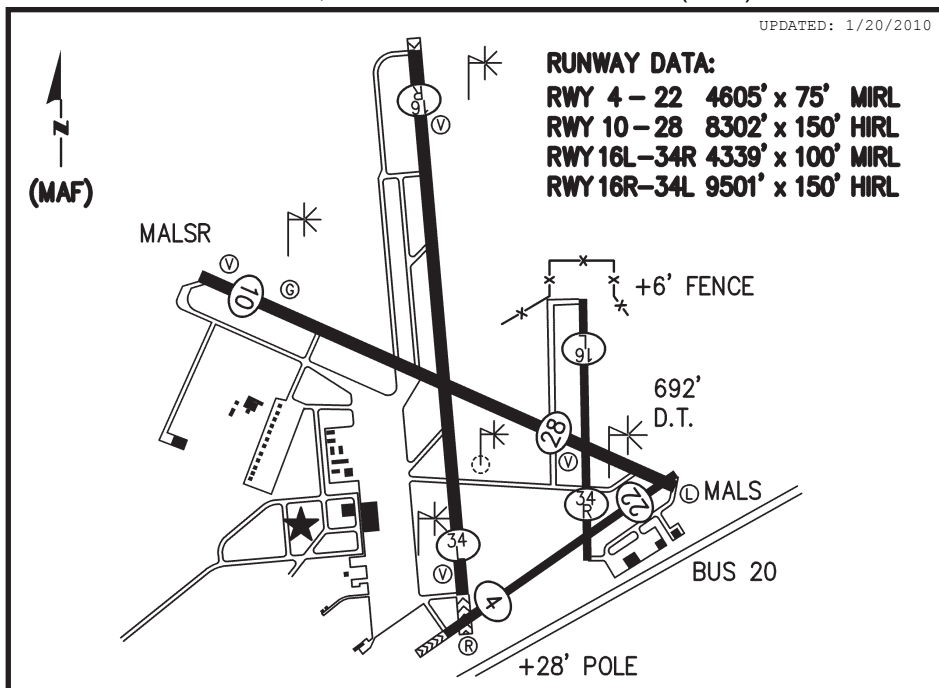


UPDATED: 1/20/2010

**RUNWAY DATA:**

**RWY 4 - 22** 4605' x 75' MIRL  
**RWY 10 - 28** 8302' x 150' HIRL  
**RWY 16L - 34R** 4339' x 100' MIRL  
**RWY 16R - 34L** 9501' x 150' HIRL

**Lat:** N 31° 56.55'  
**Lon:** W 102° 12.12'

**Elev:** 2871' MSL  
**TPA:** STD

**Sectional:** SAN ANTONIO  
**Downtown to Apt:** 08 nm/SW

**Owner:** CITY OF MIDLAND  
 PO BOX 1152  
 MIDLAND TX 79702

**Phone:** 432-685-7100

**Fax:** 432-560-2237 or 5201

**Web:** www.midlandtexas.gov

**Manager:** MARVIN ESTERLY  
 PO BOX 60305  
 MIDLAND TX 79711

432-560-2200

**Email:** mesterly@midlandtexas.gov

**ATTENDANCE SCHEDULE:** 24 HRS

**FUEL:** JET A A1 A1+ B 100LL OXYGEN

**REPAIRS:** Airframe: MAJOR Power Plant: MAJOR

**LIGHTS:** DSK-DWN

**UNICOM:** 122.95

**CTAF:** 118.7

**ASOS:** 432-561-5935

**ATIS:** 126.8

**REMARKS:** FOOD (ON FIELD); LODGING (ADJACENT); TAXI; BUS; TWY B NORTH  
 OF RWY 10/28 CLOSED TO AIRCRAFT OVER 60,000 LBS; RWYS 4/22 AND  
 16L/34R CLOSED TO ACFT OVER 60,000 LBS; BOTTLE/BULK OXYGEN (HIGH/  
 LOW); (VI); FLT INST

**FIXED BASE OPERATORS:** AERO MOD 432-563-1666; AVION 432-563-2033;  
 BASIN 432-685-7000

