

# EXAR-1



World's First  
Production, Electronic Powered Automobile  
*Anything Else is Obsolete!*



## FROM TODAY'S ELECTRONIC TECHNOLOGY

A totally new concept in automotive design that embodies advanced construction, safety and electronic power systems that deliver the most economical transportation in automotive history.

### THE EXAR-1 IS A REALITY TODAY!

The only intelligent automobile for our times with unique styling, solid construction, and virtually maintenance-free systems that have been engineered to free you from costly maintenance and return pride of ownership.

THE EXAR-1...After years of innovative engineering is READY. More than incredible economy and easy responsive handling is the factor of eliminating automotive pollutants from the air we breathe and freeing us from our reliance on imported petroleum for transportation.

The age of the ELECTRONIC AUTOMOBILE HAS BEGUN.

### ...ANYTHING ELSE IS OBSOLETE!

THE EXAR-1...A FUTURISTIC YET CONSERVATIVE MASTERPIECE OF EUROPEAN DESIGN.

#### STANDARD FEATURES

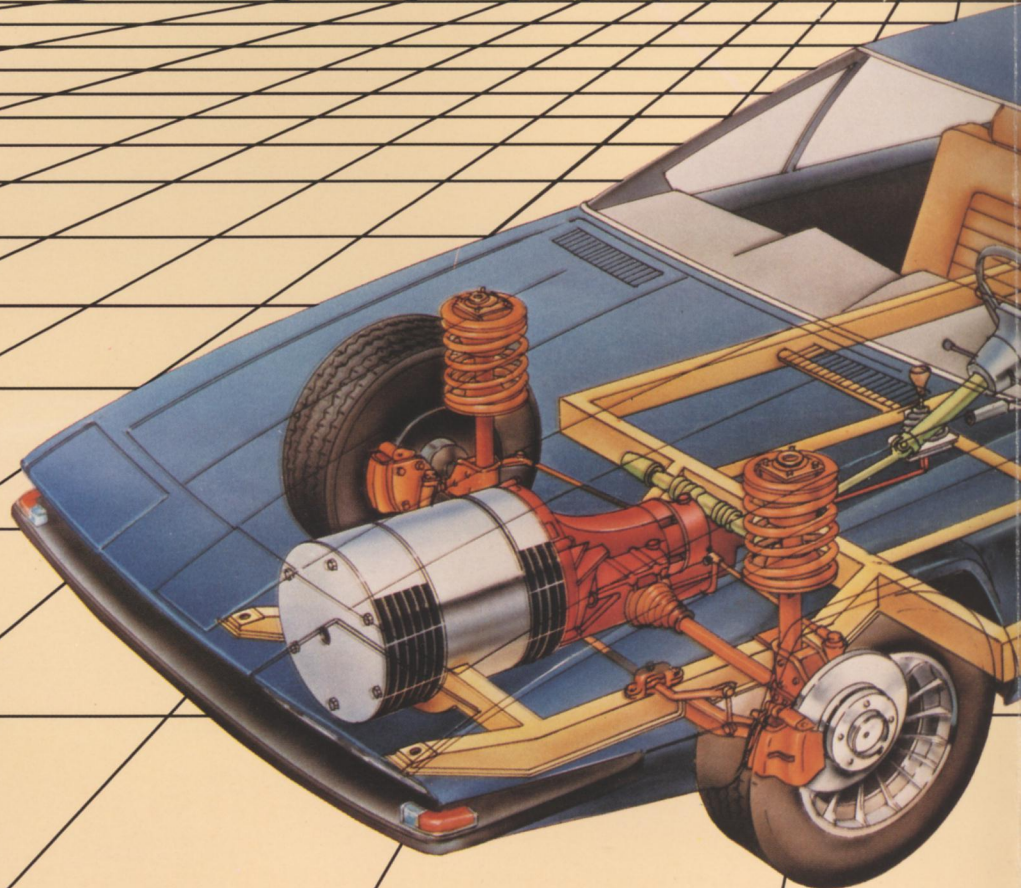
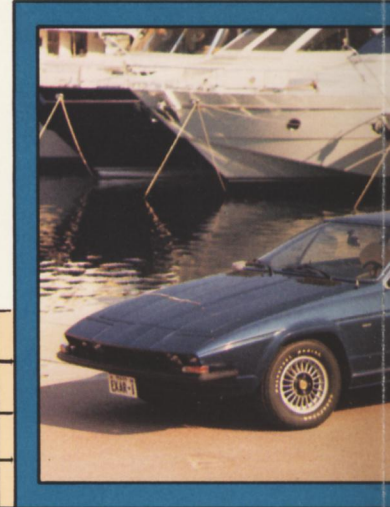
##### BODY/CHASSIS

- FRONT-WHEEL DRIVE
- RACK AND PINION POWER ASSISTED STEERING
- FOUR-WHEEL DISC BRAKES WITH DUAL MASTER CYLINDERS
- 4-SPEED SEMI-AUTOMATIC ELECTRONICALLY CONTROLLED TRANSMISSION
- 4-WHEEL INDEPENDENT SUSPENSION
- GOODYEAR LOW-ROLLING RESISTANCE RADIAL TIRES
- WRAP AROUND ENERGY ABSORBING G.E. ALL-LEXAN® BUMPERS
- RECTANGULAR HALOGEN BEAM HEADLAMPS
- ELECTRIC POWER WINDOWS
- ROOMY 2-DOOR COUPE CAN ACCOMMODATE 5 PASSENGERS
- AERODYNAMIC DESIGN BY PIETRO FRUA OF ITALY
- THICK ACRYLIC PIGMENT FINISH/KELVAR®
- SPORTY ALUMINUM ALLOY WHEELS
- DESIGNER COLORS: BLUE, YELLOW, WHITE, GREEN, RED, BLACK, BRONZE, AND SILVER

##### INTERIOR/COMFORT

- CRAIG AM/FM/CB RADIO AND CASSETTE STEREO SYSTEM
- HEATER-PROGRAMMABLE LIQUID FUEL BY STEWART WARNER
- AIR CONDITIONING-SANKYO NEW GENERATION COMPRESSOR DESIGN
- ON-BOARD AUTOMATIC CHARGER
- RECLINING CONTOURED BUCKET SEATS
- ADJUSTABLE HEAD RESTRAINTS FRONT AND REAR
- INTERIOR UPHOLSTERY IN RUGGED TEX-LEATHER
- THICK STAIN RESISTANT CARPETING
- DELUXE DASH AND INTERIOR

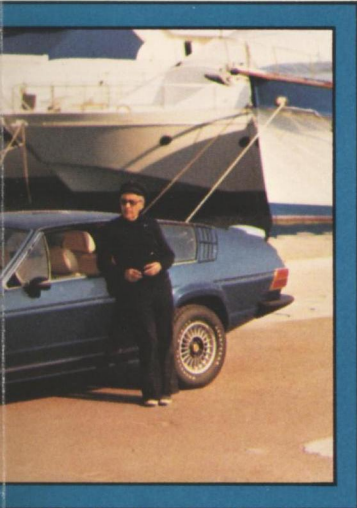
- SEAT BELT AND SHOULDER HARNESS SYSTEM ★
  - TINTED WINDSHIELD
  - REAR WINDOW DEFROSTER
  - 2-SPEED WIPERS/WASHERS
  - EASY-TO-SEE INSTRUMENTATION (SEE SPECIFICATIONS)
- ★ Air Bags if available by production time.





## COMPUTER

CONTROLS/MONITORS...ENERGY FLOW, ANTI-THEFT SYSTEM, INEBRIATION PAD, OPTIMUM GEAR, BRAKE WEAR, BATTERY CONDITION AND WATER LEVEL, CHARGING CYCLE, CABIN TEMPERATURE, MESSAGES, AMMETER, VOLTMETER, PLUS MANY, MANY, MORE...



## PARTS NOT NEEDED

SPARK PLUGS, DISTRIBUTOR, CRANKCASE, PISTONS, RADIATOR, WATER PUMP, FUEL PUMP, CARBURETOR, HOSES, IGNITION, FAN BELT, VALVES, MUFFLER, TAILPIPE, AIR & OIL FILTER, CONDENSOR, STARTER, AND POINTS, ETC...

## DRIVE SYSTEM

The EXAR-1 electric motor powers this automobile at speeds compatible to today's modern highways with ease and silence. The high performance GE electric motor system has been created to keep performing at peak efficiency for more miles than you ever thought possible, virtually maintenance free.

## ENERGY SYSTEM

The energy unit developed by one of America's outstanding makers of automotive batteries can be recharged by using a common 110-volt or 220-volt AC outlet in conjunction with the automatic charger unit that is built into the car. The range of 75 to 100 miles should allow most commuters to travel several days between charging, even allowing for use of the radio, cassette deck, heater/defroster, windshield wipers, headlamps, and the array of exclusive equipment that the EXAR-1 features.

This remarkable energy system brings you 'miles for pennies' economy and is warranted by Amectran and its maker. For convenience, an energy gauge shows you the amount of charge remaining in the system.

## HANDCRAFTED CONSTRUCTION

Engineered safety begins with a molded acrylic body reinforced with 'Kevlar'® that has impact and damage-resistant properties of no other car made. EXAR-1 coachwork will surround you with beauty and reassuring safety for years of driving pleasure. The color is actually pigmented in the material rather than painted on the surface.

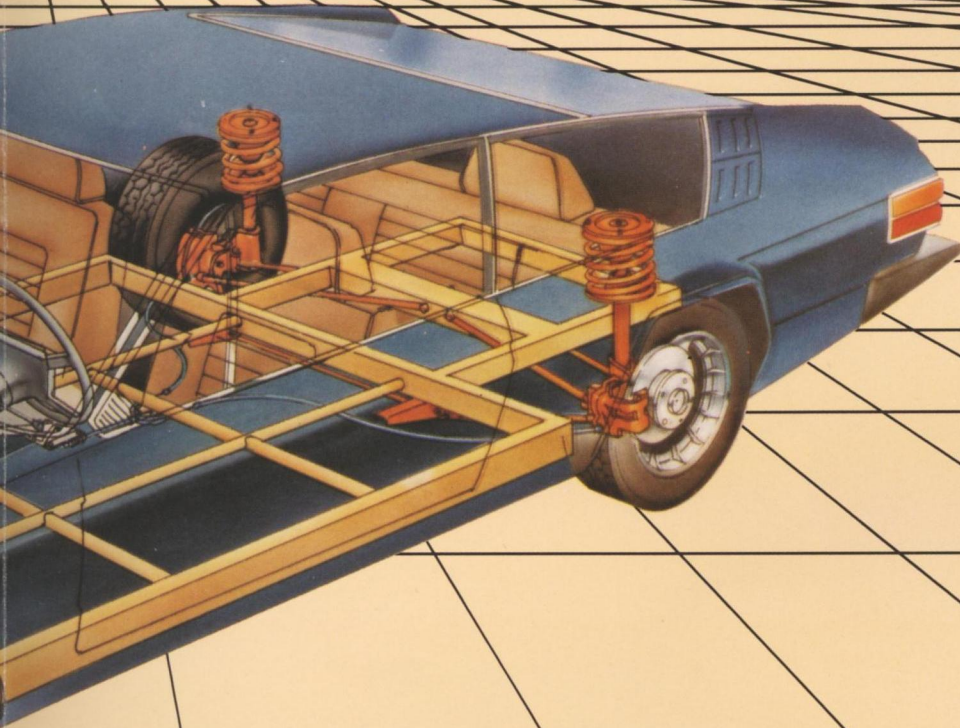
Another innovation is body parts that are easily replaceable at very low cost in modular systems, should severe damage ever cause this to be necessary.

Couple this tough, durable, rust-proof body with steel beam construction in the EXAR-1 frame and you can begin to realize Amectran's emphasis on safety and lasting beauty.

## COMPUTER

The micro-computer in the EXAR-1 is used for a variety of tasks and is central to the advanced technology of the vehicle. Although its major function is to optimize the flow of electricity from the battery system to the motor, it also performs a myriad of tasks for safety, diagnosis, security, and convenience.

Immediately upon stepping into your EXAR-1, the computer acts as an inebriation device asking you to match 6 random numbers that appear on the screen. Next, when you enter in your personal identification code and the screen responds by flashing "POWER ON" you are ready to experience the thrill of driving the EXAR-1.







**SPECIFICATIONS**

**PRICE ★★**

All equipment standard  
No factory options  
(Suggested Price)..... \$7,800

**MANUFACTURER**

AMECTRAN CORPORATION  
(American Ecological  
Transportation)  
13700 Harry Hines Boulevard  
Dallas, Texas 75234  
Phone: (214)484-3343  
TELEX: 732561 (Teleserv Dal)

**GENERAL**

Maximum Speed.....85  
Curb Weight, lb. ....est. 3,000  
Weight Distribution (w/Driver)  
Front/Rear%.....49/51  
Track, Front/Rear....57.9/58.3  
Wheelbase, in. ....105.9  
Length.....198.0  
Width.....69.0  
Height.....49.6  
Ground Clearance.....6.0  
Fuel Capacity/heater  
(U.S. GALLONS).....2.0

**CHASSIS & BODY**

Layout...Front Motor/front drive  
Body/Frame...Separate vacuum  
formed Acrylic/Kevlar® body with  
multi-tubular 4130 Chrome/Alloy  
steel frame.  
Aerodynamics...0.28 Coefficient of  
Drag  
Brake System...Discs front & rear,  
power assisted; regenerative  
braking.  
Wheels.....Cast alloy, 15 x 6  
Tires...Goodyear HR 78-15" low  
rolling resistance radials  
Steering Type Rack & Pinion,  
power assisted  
Suspension.....Independent, by  
MacPherson front & rear  
coil springs/telescopic  
damper struts, lower  
wishbones, anti-roll bar

**SAFETY**

Will meet all Department of  
Transportation Regulations.

**MOTOR & DRIVETRAIN**

Type.....Series wound  
Weight (lbs).....225  
HP rating.....19  
RPM@ 144v.....3000  
Transmission...4-Speed Manual-  
Select Automatic  
Gear Ratios 4th (1.13)...4.18:1  
3rd(1.46).....5.40:1  
2nd(2.11).....7.81:1  
1st(3.46).....12.80:1  
Final Drive Ratio.....3.7:1

**ENERGY STORAGE**

Type.....Lead/Acid, 6-v  
Voltage, v.....144  
Weight, lb.....1,600

**CONTROLLER & CHARGER**

Type...SCR TRANSISTOR, with  
regenerative braking  
Charger.....On-board  
Input voltage....220-v or 110-v  
Maximum Output amperage...40  
Battery Recharge:  
5 hrs. — 220V, 8 hrs. — 110V.

**SPEED IN GEARS**

4th gear...Passing up to 85 mph  
3rd gear.....60 mph & under  
(combination highway and local)  
2nd gear.....Under 30 mph  
(neighborhood traffic)  
1st gearStart & bumper-to-bumper

**ENERGY ECONOMY**

Normal Driving...75-100 miles/  
charge Equivalent to 125-180 mpg  
conventional ICE vehicle.

**INSTRUMENTATION**

Speedometer, Tachometer,  
Odometer, Energy Indicator, Motor  
Temperature, Fuel Gauge (heater),  
digital clock, & on-board computer  
diagnostic system.

Warning Lights: Brake system,  
Power On, Rear Window Heat,  
Seatbelts, Hazard, High/Low  
Beam, Directionals, Tank, Air,  
Low Energy.

**MAINTENANCE**

Service: Air-Tires.....As needed  
Water Batteries As Indicated  
by Computer  
Lubrication-  
Chasis.....As required

