



Jouni Nevalainen, CEO
Suomen Sähköautotehtaat OY



THE SILENT REVOLUTION



SANIFER GREEN CAR



SANIFER GREEN CAR



SANIFER GREEN CAR



SANIFER GREEN CAR



THE SILENT REVOLUTION IN CITY TRAFFIC

- 100% Electric Vehicle
- Zero Noise
- Zero Pollution
- Zero Emissions
- Low Running Costs
- 100% Flexible



REVOLUTION WITH NO NOISE

**Sanifer Green car is No1
L6e class electric vehicle
designed to compete with petrol powered
cars in the traffic in
urban areas and downtown.**



SANIFER GREEN CAR BENEFITS FOR THE OWNER

- **Excellent acceleration**
- **Enjoyable driving experience**
- **Low noise**
- **Low running costs**
- **Low maintenance costs**
- **Simple operation**



SANIFER GREEN CAR L6e

TECHNICAL DETAILS

Top Speed	45 km/h
Driving Distance	80 - 100 km / one charging
Motor	DC, 4 kW, 48 V
Driving controller	Curtis
Batteries	Lithium-ion 180 Ah
Suspension	Front McPerson Rear Independent
Brakes	Disc Brakes in each wheel
Frame	Aluminum
Body	ABS plastic
Colors	Electric Blue, Blue/Silver , Green/Silver, Red, Green



SANIFER GREEN CAR L7e

TECHNICAL DETAILS

Top Speed	80 km/h
Driving Distance	80 - 100 km / one charging
Motor	DC, 15 kW, 96V
Driving controller	Curtis
Batteries	Lithium-ion 180 Ah
Suspension	Front McPerson Rear Independent
Brakes	Disc Brakes in each wheel
Frame	Aluminum
Body	ABS plastic
Colors	Electric Blue, Blue/Silver , Green/Silver, Red, Green



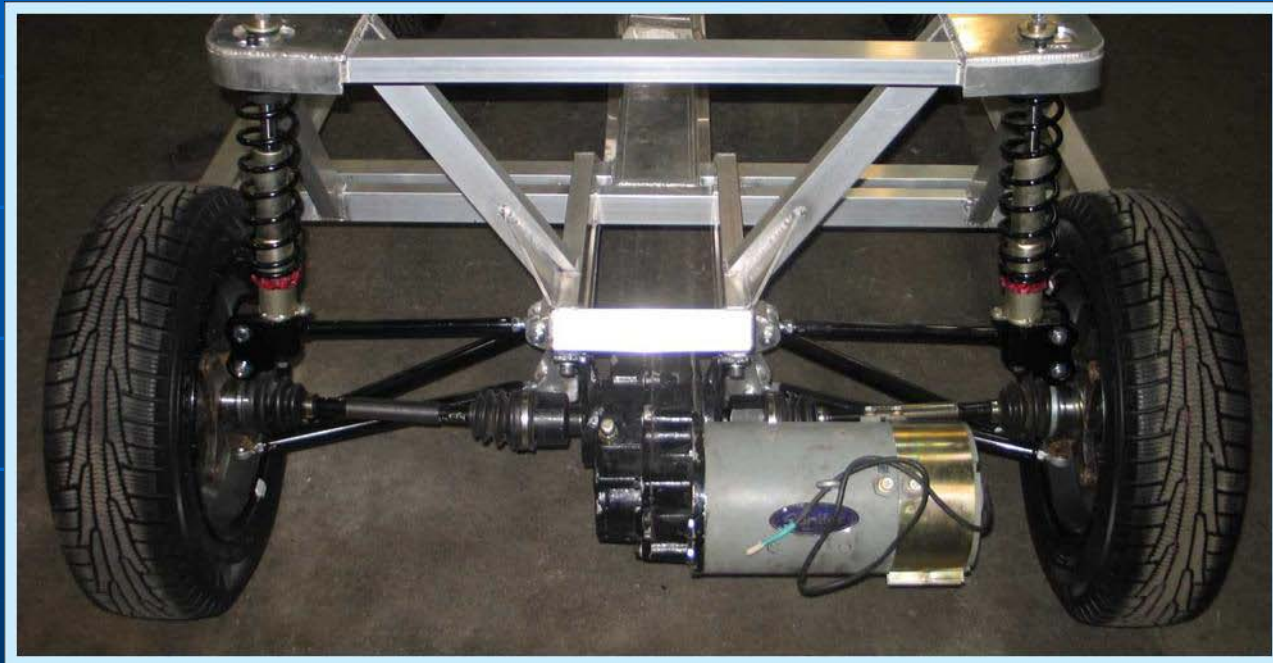
SANIFER GREEN CAR



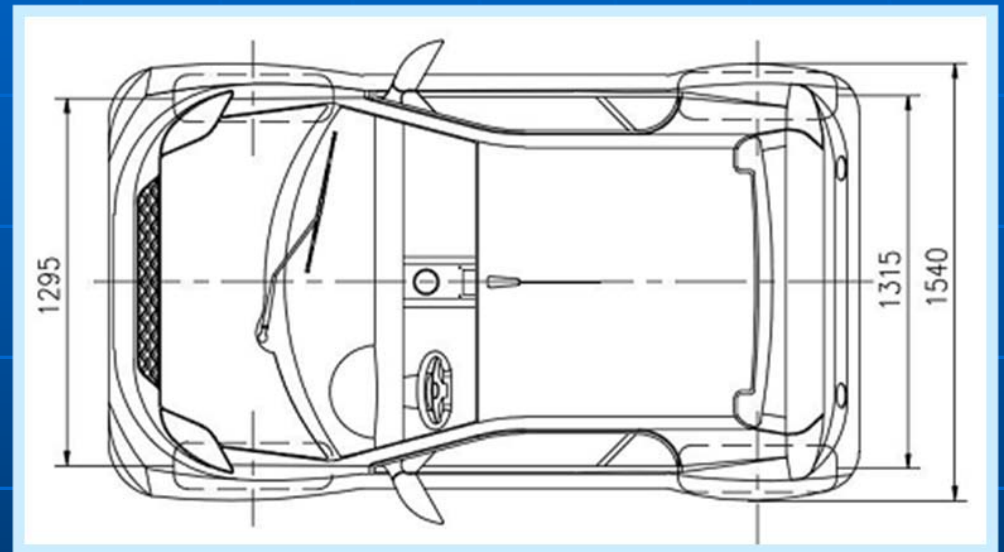
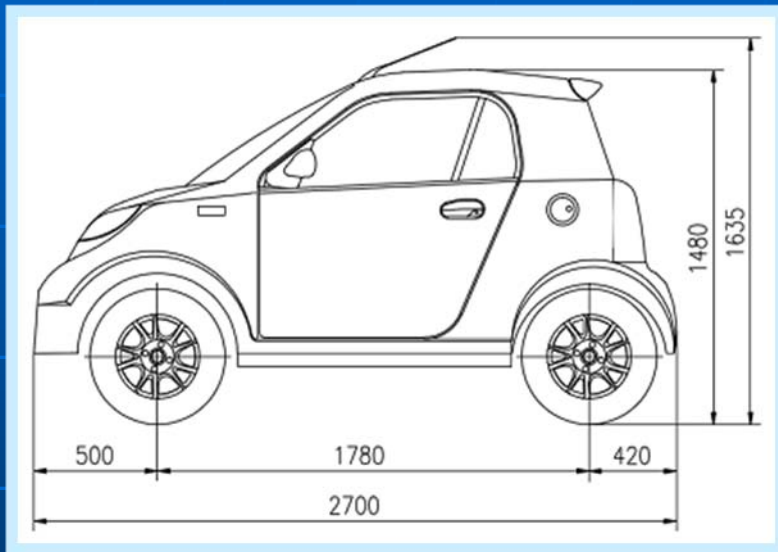
SANIFER GREEN CAR L6e

Independent rear suspension

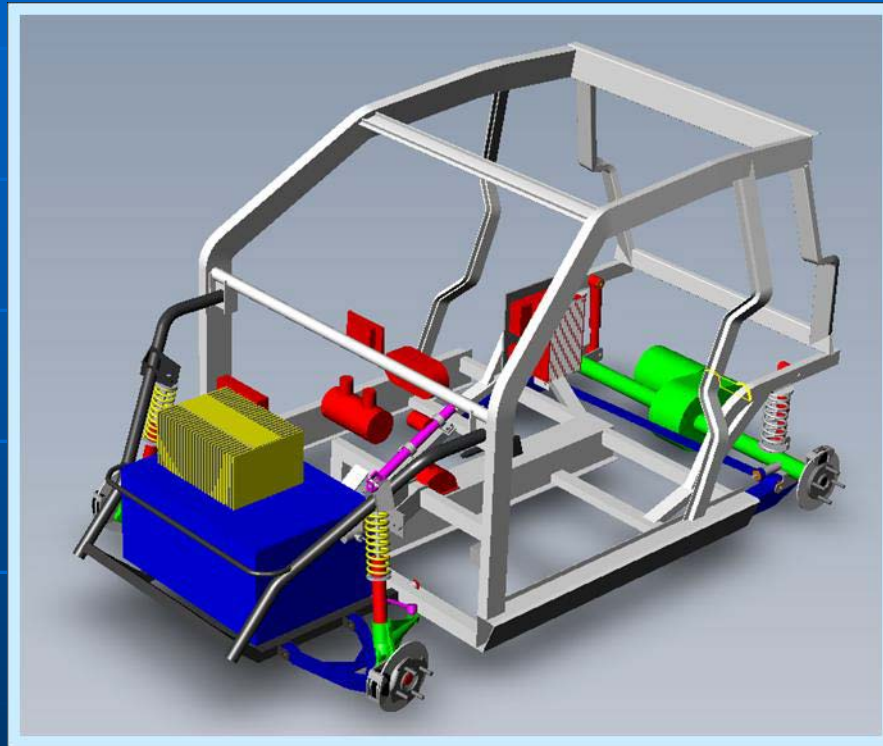
by Tommi Mäkinen Racing



SANIFER GREEN CAR DIMENSIONAL DRAWINGS



SANIFER GREEN CAR LOCATION OF COMPONENTS



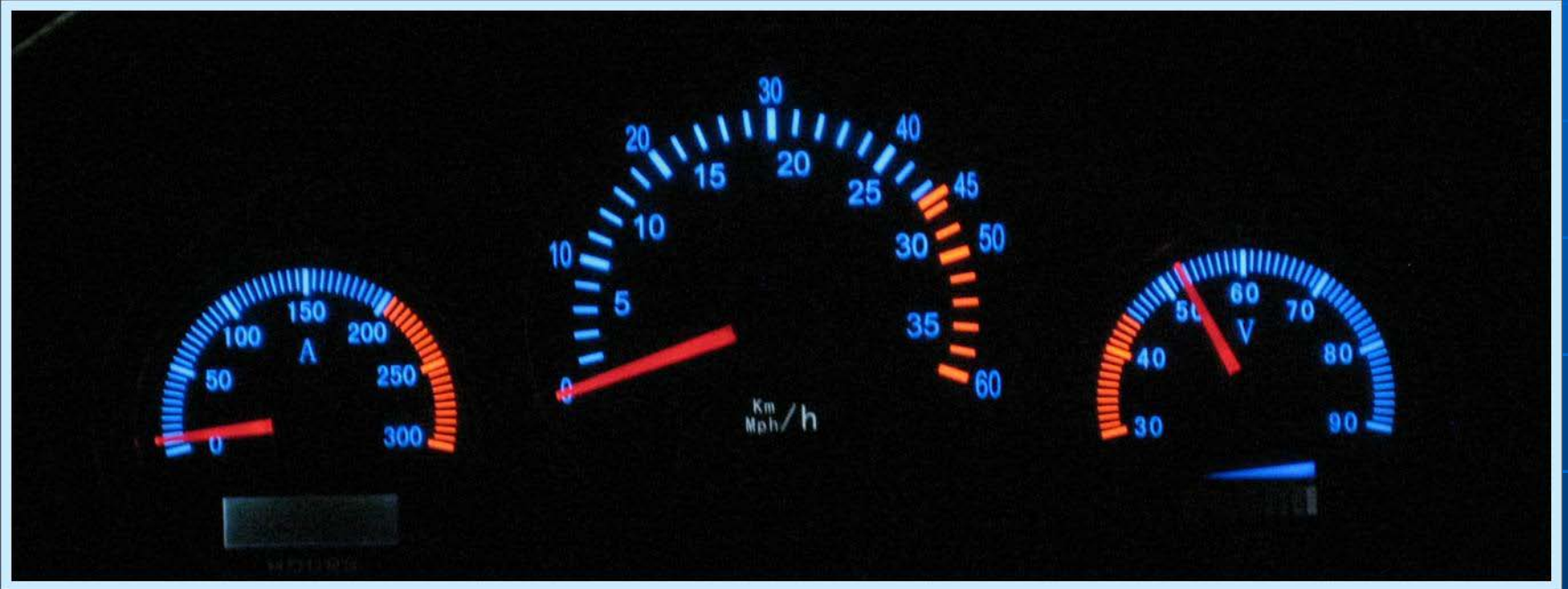
SANIFER GREEN CAR EMC TEST



SANIFER GREEN CAR Dashboard



SANIFER GREEN CAR Instrument Panel



SANIFER GREEN CAR

Head office and Factory in Oulu



Oy AMC-Motors Ltd / Suomen Sähköautotehtaat OY
Siilotie 1
FIN-90520 Oulu
Finland

Internet www.amcmotors.fi





Sanifer

GreenCar