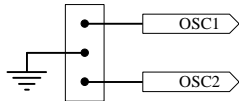
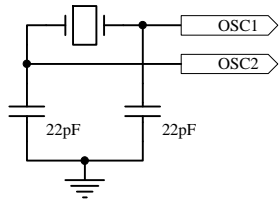


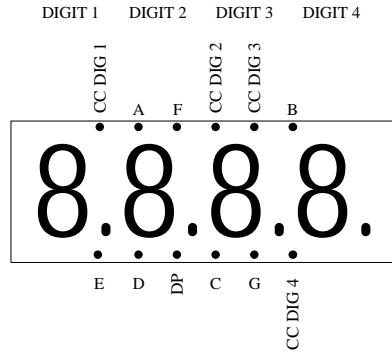
SLED-C4 DISPLAY DRIVER IC OSCILLATOR OPTIONS

20MHz PARALLEL CUT CRYSTAL



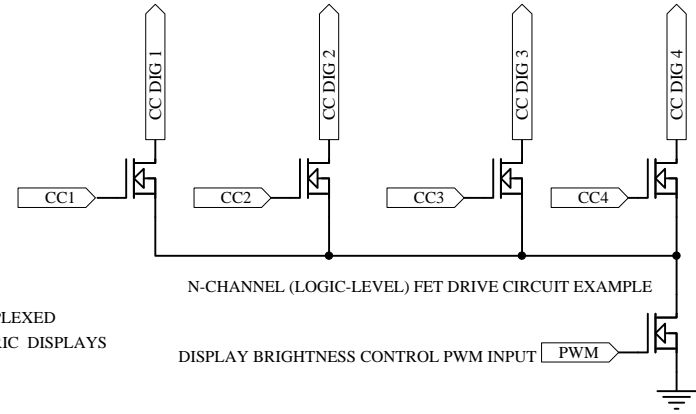
20MHz 3-PIN CERAMIC RESONATOR WITH INTERNAL CAPS

COMMON CATHODE MULTIPLEXED 7-SEGMENT DISPLAY



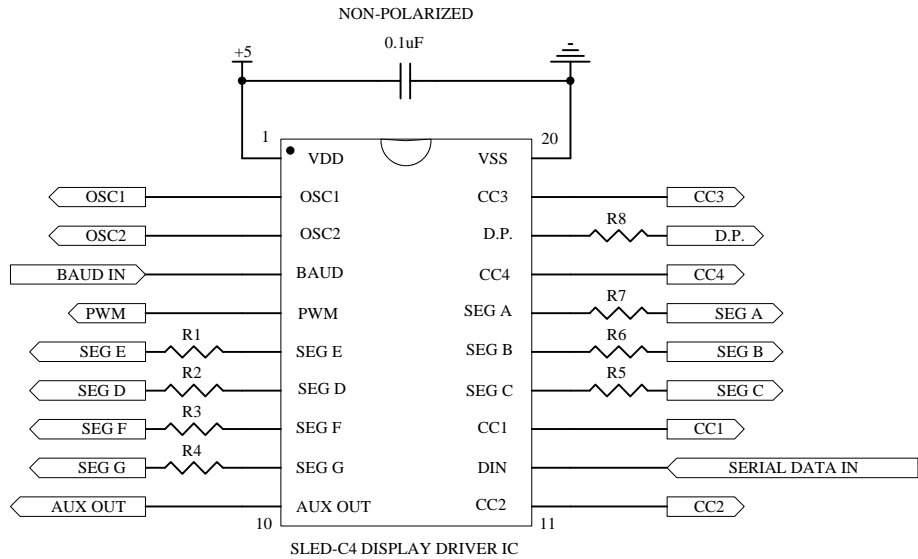
PIN DIAGRAM EXAMPLE FOR COMMON CATHODE, MULTIPLEXED MAN59405 AND CC56-21SRWA 7-SEGMENT, 4-DIGIT, NUMERIC DISPLAYS

FOR A FUNCTIONAL DESCRIPTION PLEASE
 DOWNLOAD THE SLED-C4 DATA SHEET FROM
[HTTP://WWW.RENTRON.COM/SLED/SLED-C4.PDF](http://www.rentron.com/sled/sled-c4.pdf)

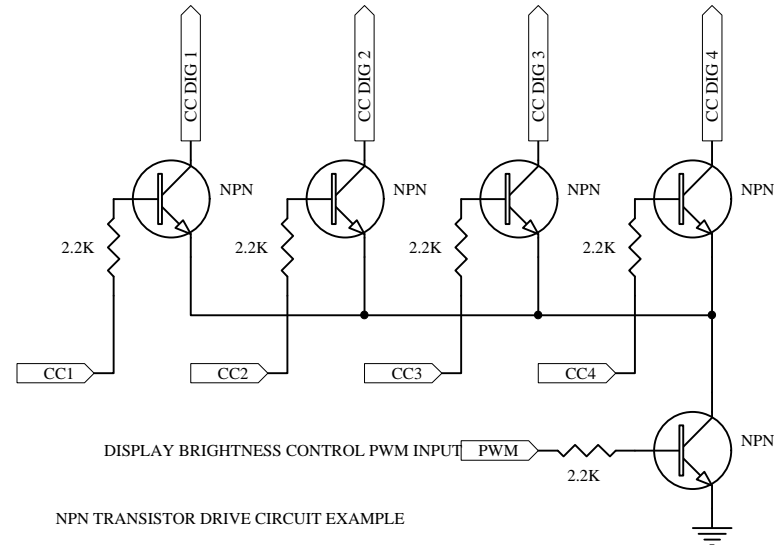


N-CHANNEL (LOGIC-LEVEL) FET DRIVE CIRCUIT EXAMPLE

DISPLAY BRIGHTNESS CONTROL PWM INPUT



SLED-C4 DISPLAY DRIVER IC



NPN TRANSISTOR DRIVE CIRCUIT EXAMPLE

BAUD IN IS BAUD RATE SELECT INPUT

BAUD IN = VDD FOR 9600 BAUD

BAUD IN = VSS FOR 19200 BAUD

SERIAL DATA IN MUST BE NON-INVERTED N,8,1

ABSOLUTE MAX CURRENT PER PIN IS 25mA. 200mA ALL PINS COMBINED

SELECT R1 TO R8 PER DISPLAY MFG RECOMMENDATIONS

NOTE: R1 TO R8 SHOULD NOT ALLOW >25mA PER OUTPUT

Title		
SLED-C4 SERIAL LED DISPLAY DRIVER IC		
Size	Number	Revision
Orcad A		A
Date:	26-Oct-2007	Sheet 1 of 1
File:	C:\CAD\SCHEMATICS.Ddb	Drawn By: BRR