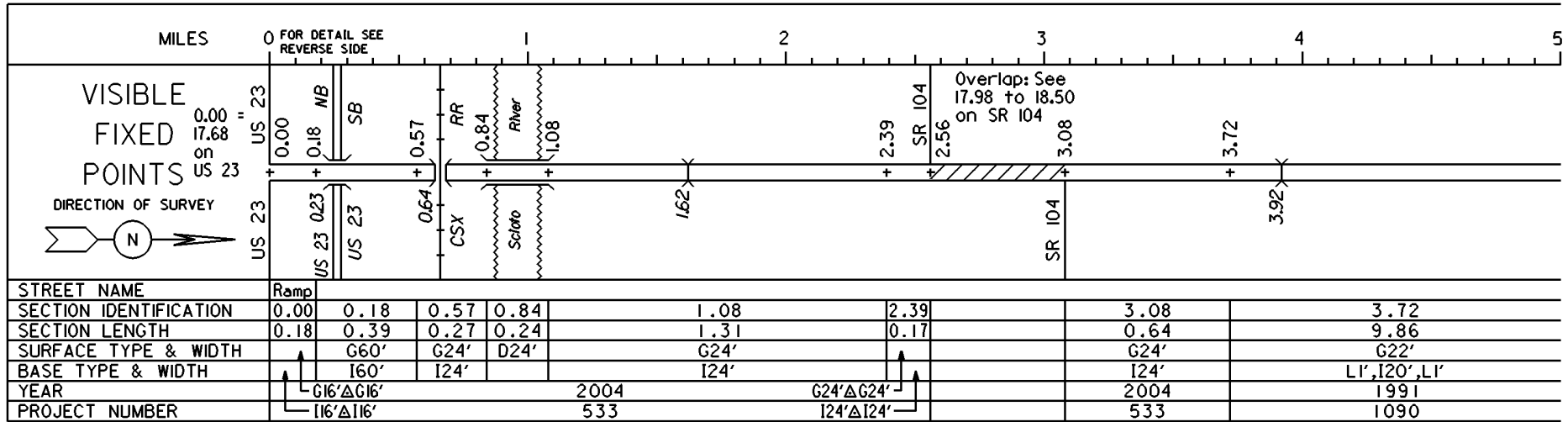


STATE OF OHIO - DEPARTMENT OF TRANSPORTATION

STATE ROUTE SECTIONS ON CONTINUOUS MILEAGE STATIONING

DISTRICT 9
 COUNTY ROSS
 ROUTE SR 207



PERPETUATION

VISIBLE

FIXED

POINTS

STREET NAME

SECTION IDENTIFICATION

SECTION LENGTH

SURFACE TYPE & WIDTH

BASE TYPE & WIDTH

YEAR

PROJECT NUMBER

VISIBLE

FIXED

POINTS

STREET NAME

SECTION IDENTIFICATION

SECTION LENGTH

SURFACE TYPE & WIDTH

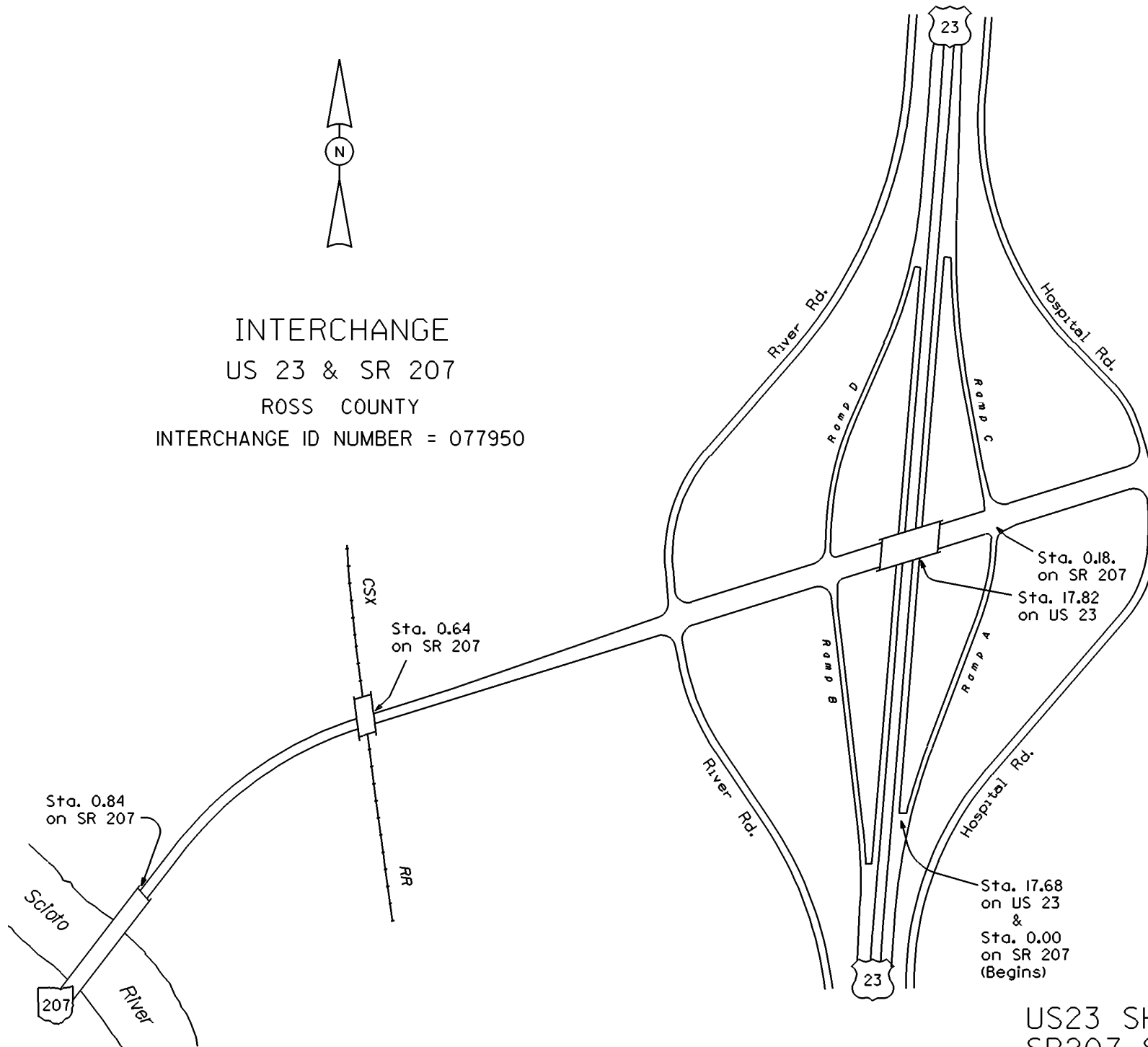
BASE TYPE & WIDTH

YEAR

PROJECT NUMBER



INTERCHANGE
US 23 & SR 207
ROSS COUNTY
INTERCHANGE ID NUMBER = 077950

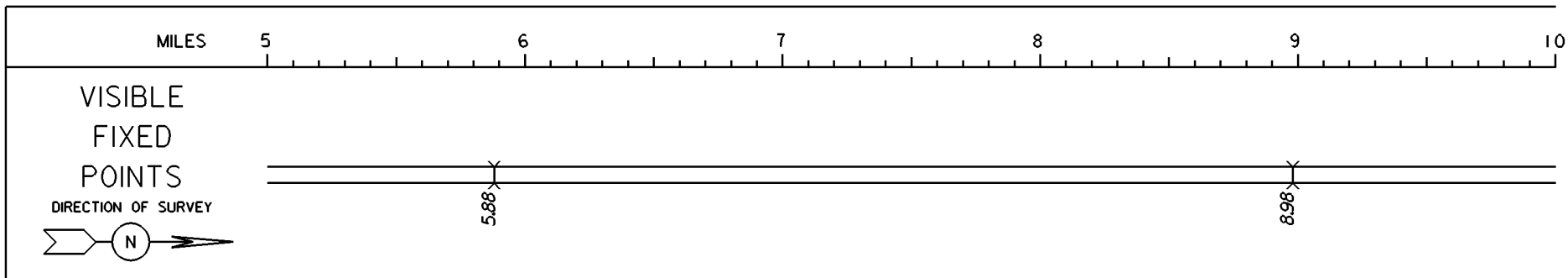


US23 SHEET 4 OF 5
SR207 SHEET 1 OF 3

REVISED Jan 2007

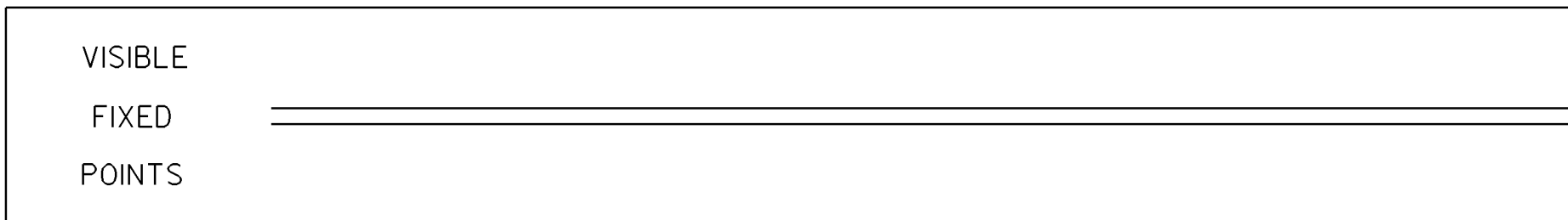
STATE OF OHIO - DEPARTMENT OF TRANSPORTATION
STATE ROUTE SECTIONS ON CONTINUOUS MILEAGE STATIONING

DISTRICT 9
COUNTY ROSS
ROUTE SR 207

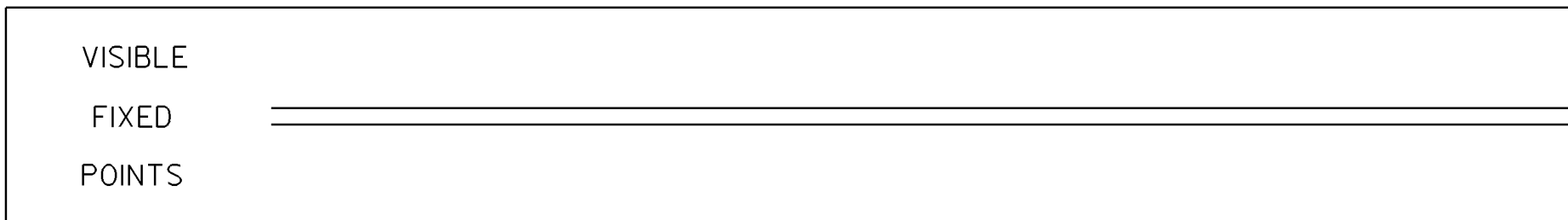


STREET NAME	
SECTION IDENTIFICATION	3.72
SECTION LENGTH	9.86
SURFACE TYPE & WIDTH	G22'
BASE TYPE & WIDTH	LI',120',LI'
YEAR	1991
PROJECT NUMBER	1090

PERPETUATION



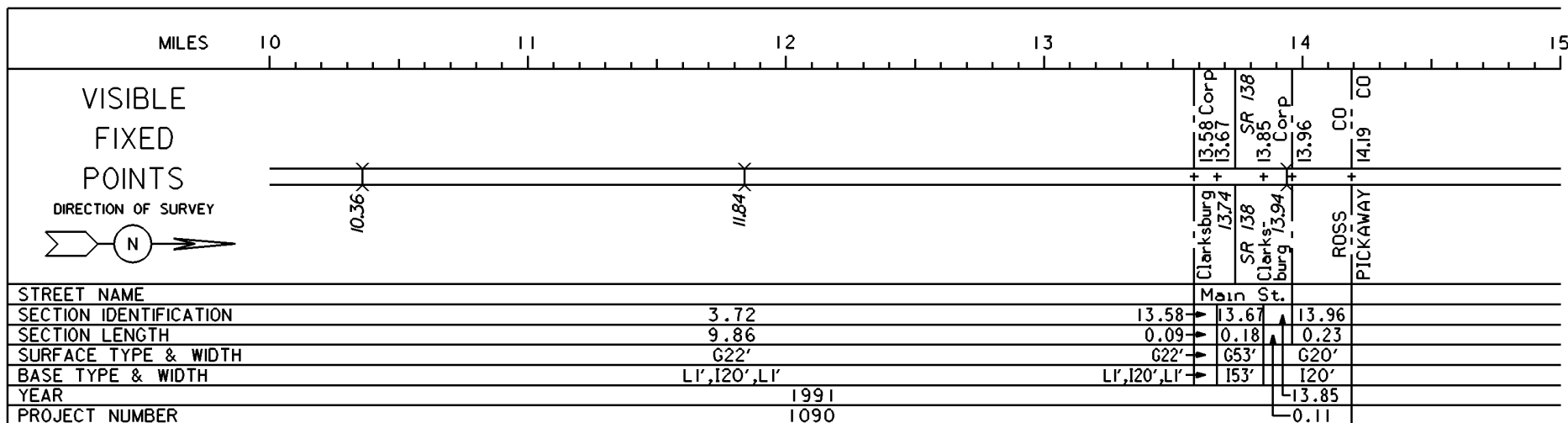
STREET NAME	
SECTION IDENTIFICATION	
SECTION LENGTH	
SURFACE TYPE & WIDTH	
BASE TYPE & WIDTH	
YEAR	
PROJECT NUMBER	



STREET NAME	
SECTION IDENTIFICATION	
SECTION LENGTH	
SURFACE TYPE & WIDTH	
BASE TYPE & WIDTH	
YEAR	
PROJECT NUMBER	

STATE OF OHIO - DEPARTMENT OF TRANSPORTATION
STATE ROUTE SECTIONS ON CONTINUOUS MILEAGE STATIONING

DISTRICT 9
COUNTY ROSS
ROUTE SR 207



PERPETUATION

