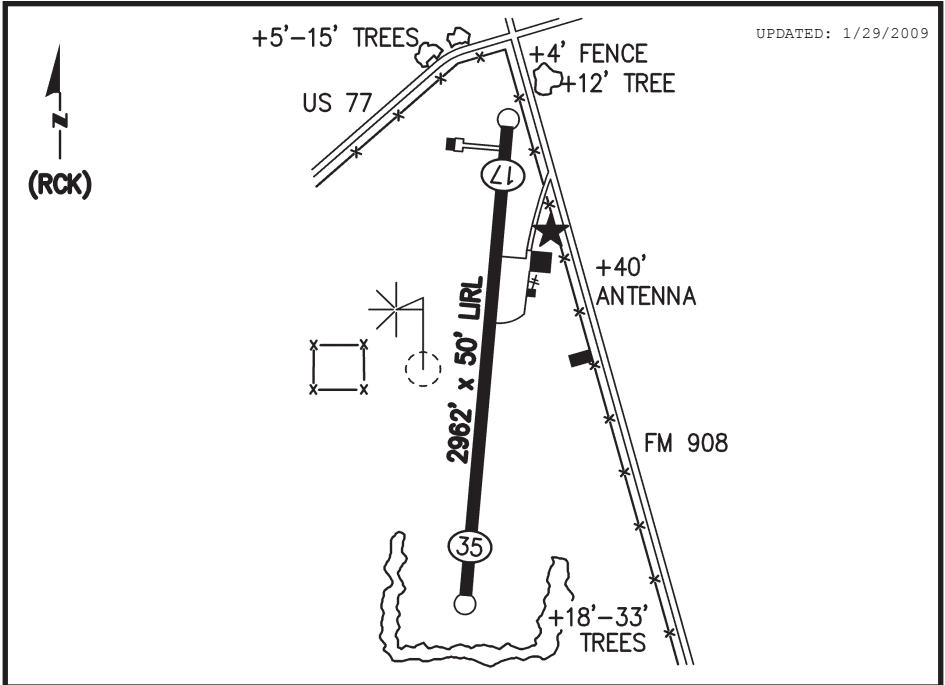


UPDATED: 1/29/2009



Lat: N 30° 37.90'
Lon: W 96° 59.38'

Elev: 474` MSL
TPA: STD

Sectional: HOUSTON
Downtown to Apt: 02 nm/SE

Owner: CITY OF ROCKDALE
 PO BOX 586
 ROCKDALE TX 76567
Phone: 512-446-2511
Fax: 512-446-6258

Manager: DAVID AKIN
 PO BOX 586
 ROCKDALE TX 76567
 512-446-7320

ATTENDANCE SCHEDULE: UNATNDD

FUEL: 100LL FOR FUEL CALL 512-446-7320
 AFTER 4:00 PM CALL 512-446-3436

REPAIRS: NO

LIGHTS: DSK-DWN (OUT OF SERVICE)

CTAF: 122.9

REMARKS: FOOD-LODGING (1 MI)

