

Onan

Service Manual

UN

Generator and Controls

- **Description**
 - **Troubleshooting Chart**
 - **Testing Procedures**
 - **Repairs**
 - **Wiring Diagrams**
-

Safety Precautions

Before operating the generator set, read the Operator's Manual and become familiar with it and the equipment. **Safe and efficient operation can be achieved only if the unit is properly operated and maintained.** Many accidents are caused by failure to follow fundamental rules and precautions.

The following symbols, found throughout this manual, alert you to potentially dangerous conditions to the operator, service personnel, or the equipment.

▲ DANGER This symbol warns of immediate hazards which will result in severe personal injury or death.

▲ WARNING This symbol refers to a hazard or unsafe practice which can result in severe personal injury or death.

▲ CAUTION This symbol refers to a hazard or unsafe practice which can result in personal injury or product or property damage.

FUEL AND FUMES ARE FLAMMABLE. Fire, explosion, and personal injury can result from improper practices.

- **DONOT** fill fuel tanks with the engine running unless tanks are outside the engine compartment. Fuel contact with hot engine or exhaust is a potential fire hazard.
- **DO NOT SMOKE OR ALLOW AN OPEN FLAME** near the generator set or fuel tank. Internal combustion engine fuels are highly flammable.
- Fuel lines must be adequately secured and free of leaks. Fuel connections at the engine should be made with an approved flexible line. Do not use copper piping on flexible lines as copper will work harden and become brittle.
- Be sure that all fuel supplies have a positive shutoff valve.
- **DO NOT SMOKE** while servicing batteries. Lead acid batteries emit a highly explosive hydrogen gas that can be ignited by electrical arcing or by smoking.

EXHAUST GASES ARE DEADLY

- Provide an adequate exhaust system to properly expel discharged gases. Inspect the exhaust system daily for leaks per the maintenance schedule. See that exhaust manifolds are secure and are not warped. Do not use exhaust gases to heat a compartment.
- Be sure the unit is well ventilated.

MOVING PARTS CAN CAUSE SEVERE PERSONAL INJURY OR DEATH

- Keep your hands away from moving parts.
- Before performing any maintenance on the generator set, disconnect the starting battery negative (-) ground lead first. This will prevent accidental starting.
- Make sure that fasteners on the generator set are secure. Tighten supports and clamps, keep guards in position over fans, drive belts, etc.

- Do not wear loose clothing or jewelry while servicing any part of the generator set. Loose clothing and jewelry can become caught in moving parts. Jewelry can short out electrical contacts and cause shock or burning.
- If adjustment *must* be made while the unit is running, use extreme caution around hot manifolds, moving parts, etc.

ELECTRICAL SHOCK WILL CAUSE SEVERE PERSONAL INJURY OR DEATH

- Remove electric power before removing protective shields or touching electrical equipment. Use rubber insulative mats placed on dry wood platforms over floors that are metal or concrete when around electrical equipment. Do not wear damp clothing (particularly wet shoes) or allow skin surfaces to be damp when handling electrical equipment.
- Use extreme caution when working on electrical components. High voltages can cause injury or death. **DO NOT** tamper with interlocks.
- Follow all state and local electrical codes. Have all electrical installations performed by a qualified licensed electrician. Tag open switches to avoid accidental closure.
- **DO NOT CONNECT THE GENERATOR SET DIRECTLY TO ANY BUILDING ELECTRICAL POWER SYSTEM.** Hazardous voltages can flow from the generator set into the utility line. This creates a potential for electrocution or property damage. Connect only through an approved device and after building main switch is open. Consult an electrician in regard to emergency power use.

GENERAL SAFETY PRECAUTIONS

- Provide appropriate fire extinguishers and install them in convenient locations. Consult your local fire department for the correct type of extinguisher to use. Do not use foam on electrical fires. Use extinguisher rated ABC by NFPA.
- Used engine oils have been identified by some state or federal agencies as causing cancer or reproductive toxicity. When checking or changing engine oil, take care not to ingest, breathe the fumes, or contact used oil.
- Benzene and lead, found in some gasoline, have been identified by some state and federal agencies as causing cancer or reproductive toxicity. When checking, draining or adding gasoline, take care not to ingest, breathe the fumes, or contact gasoline.
- Make sure that rags are not left on or near the engine.
- Remove all unnecessary grease and oil from the unit. Accumulated grease and oil can cause over heating and engine damage, and present a potential fire hazard.
- Keep the generator set and the surrounding area clean and free from obstructions. Remove any debris from the set and keep the floor clean and dry.
- Do not work on this equipment when mentally or physically fatigued, or after consuming any alcohol or drug that makes the operation of equipment unsafe.

Table Of Contents

SECTION	TITLE	PAGE
	SAFETY PRECAUTIONS	Inside front cover
1	INTRODUCTION	1-1
	Test Equipment	1-1
	Load Wire Connections	1-2
	Reconnectible Single-Phase Generator	1-4
	Three-Phase Delta Wound Generator	1-4
	Three-Phase Wye Connected Generator	1-6
2	GENERATOR	2-1
	Generator Disassembly	2-1
	Generator Troubleshooting	2-3
	Generator Service Procedures and Tests	2-4
	Generator Assembly	2-11
3	CONTROL SYSTEM	3-1
	Operation Description	3-1
	NB Models	3-1
	MCCK (Spec D) and NH (Spec A through C) Models	3-2
	CCK (Spec R), MCCK (begin Spec E), and NH (Spec D through F) Models	3-4
	BF, CCK (begin Spec U), LK (begin Spec M), and NH (begin Spec J) Models	3-6
	BFA (Spec A), BGA (Spec A), and NH (Spec K) Models	3-7
	MCCK Spec H Models	3-8
4	TROUBLESHOOTING	4-1
	NB Models	4-1
	MCCK (Spec D) and NH (Spec A through C) Models	4-5
	CCK (Spec R), MCCK (begin Spec E), and NH (Spec D through F) Models	4-9
	BF, CCK (begin Spec U), LK (begin Spec M), and NH (begin Spec J) Models	4-16
	BFA (Spec A), BGA (Spec A), and NH (Spec K) Models	4-20
5	POWER DRAWER MODELS	5-1
	Generator Disassembly	5-1
	Generator Troubleshooting Guide	5-2
	Generator Service Procedures and Tests	5-4
6	WIRING DIAGRAMS	6-1

Introduction

This manual provides troubleshooting and repair information for Onan UN generators. It includes procedures for repairing the generator and control system. This information does not apply to the engine; engine information is provided in the ENGINE portion of the Master Service Manual (922-0501).

▲WARNING *Many troubleshooting procedures present hazards which can result in severe personal injury or death. Only qualified service personnel with knowledge of electricity and machinery hazards should perform service procedures. Review safety precautions on inside cover page.*

TEST EQUIPMENT

Most of the tests described in this manual can be made with an AC-DC multimeter. Other test equipment includes:

- Onan Multi-Tester 420-0303
- Wheatstone or Kelvin bridge (tests resistance values below one ohm)
- Continuity tester (6 volt)
- Jumper wires
- Onan load test panels 420-0413, 420-0414, 420-0501
- Onan armature growler 420-0194

▲WARNING *Electrical shock can cause severe personal injury or death. Do not touch electrical wiring or components during testing. Disconnect electrical power by removing the starting battery negative (-) cable before handling electrical wiring or components.*

▲WARNING *Electrical shock can cause severe personal injury or death. Use extreme caution when working on electrical circuitry. Attach and remove meter leads only when generator set is not operating. Do not touch meter or meter leads during testing.*

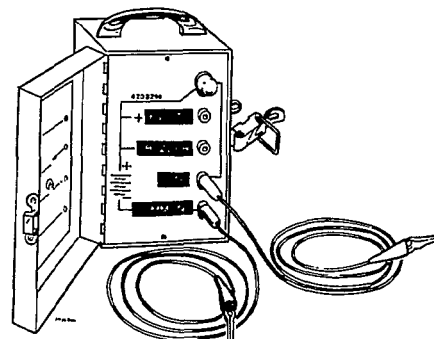
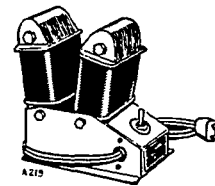
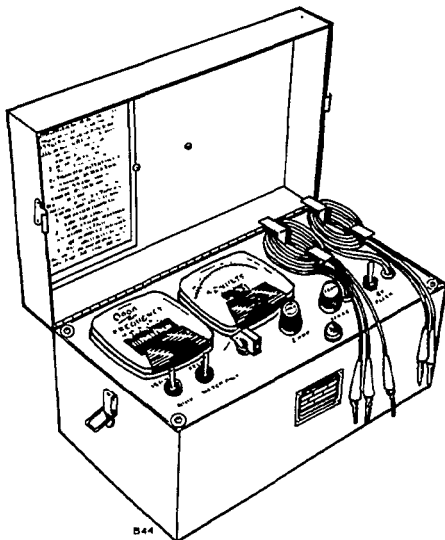


FIGURE 1-1. TEST EQUIPMENT

LOAD WIRE CONNECTIONS

⚠WARNING *Electrical shock can cause severe personal injury or death. Check voltage at the main junction box to be sure power has been disconnected before disconnecting load wires.*

The genset nameplate displays its electrical output rating in watts, volts and hertz. Table 1-1 lists these figures for gensets using the UN generator. Contractor and portable gensets are prewired, and include a receptacle box with two duplex 120-volt, 15-ampere grounding receptacles and two 240-volt, 20-ampere, twist-lock receptacles (Figure 1-2). Figures 1-4 and 1-5 show the electrical circuits and connections for various voltages on all other UN-based generator sets.

TABLE 1-1. ELECTRICAL DATA FOR UN GENERATORS

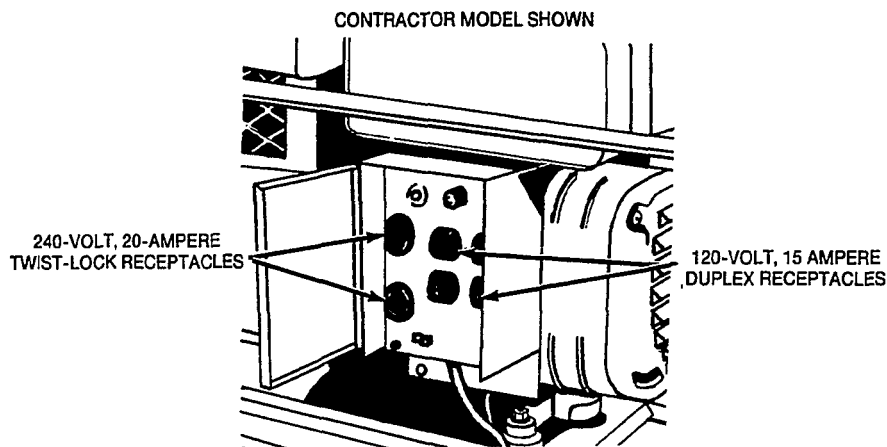
60 HERTZ, 1800 r/min						
GENERATOR SET SERIES	WATTS	VOLTAGE	PHASE	AMPERES	STACK LENGTH	
					Inches	(mm)
LK (RV)	2500	120/240	1	21/10.5	3.12	(80)
NB	3000	120/240	1	25/12.5	3.12	(80)
BF (RV)	4000	120/240	1	34/17	3.12	(80)
BF (Power Drawer)	4000	120	1	34	3.12	(80)
BFA (RV)	4000	120	1	34	3.12	(80)
BGA (RV)	5000	120/240	1	42/21	5.50	(140)
CCK	4000	120/240	1	34/17	3.12	(80)
MCCK	4000	120/240	1	34/17	3.12	(80)
CCK	5000	120/240	1	42/21	5.50	(140)
MCCK	6500	120/240	1	54/27	5.50	(140)
NH	6500	120/240	1	54/27	5.50	(140)
CCK	4000	120/208	3	11*	3.12	(80)
CCK	5000	120/208	3	14*	5.50	(140)
CCK	5000	120/240	3	12*	5.50	(140)
CCK	5000	277/480	3	6*	5.50	(140)
NH	6500	120/208	3	18*	5.50	(140)
NH	6500	120/240	3	15.5*	5.50	(140)
NH	6500	277/480	3	7.8*	5.50	(140)
NH	6500	120	1	50	5.50	(140)
50 HERTZ, 1500 r/min						
NB	2300	120/240	1	19/9.5	3.12	(80)
CCK	3500	120/240	1	30/15	3.12	(80)
MCCK	3500	120/240	1	30/15	3.12	(80)
CCK	4200	120/240	1	35/17.5	5.50	(140)
NH	5500	120/240	1	46/23	5.50	(140)
MCCK	5500	120/240	1	46/23	5.50	(140)
CCK	4200	120/240	3	10*	5.50	(140)
CCK	4200	220/380	3	6.4*	5.50	(140)
NH	5500	120/240	3	13.2*	5.50	(140)
NH	5500	220/380	3	8.4*	5.50	(140)

*Current rating for three-phase voltage only (higher nameplate rating).
(RV) Special generator set model for recreational vehicles.

Meet all applicable code requirements. A qualified serviceman or electrician must install the genset, and the installation must be inspected and approved. Use flexible conduit and stranded load wires near the set, to absorb vibration. Strip enough insulation from the wire ends for clean connections.

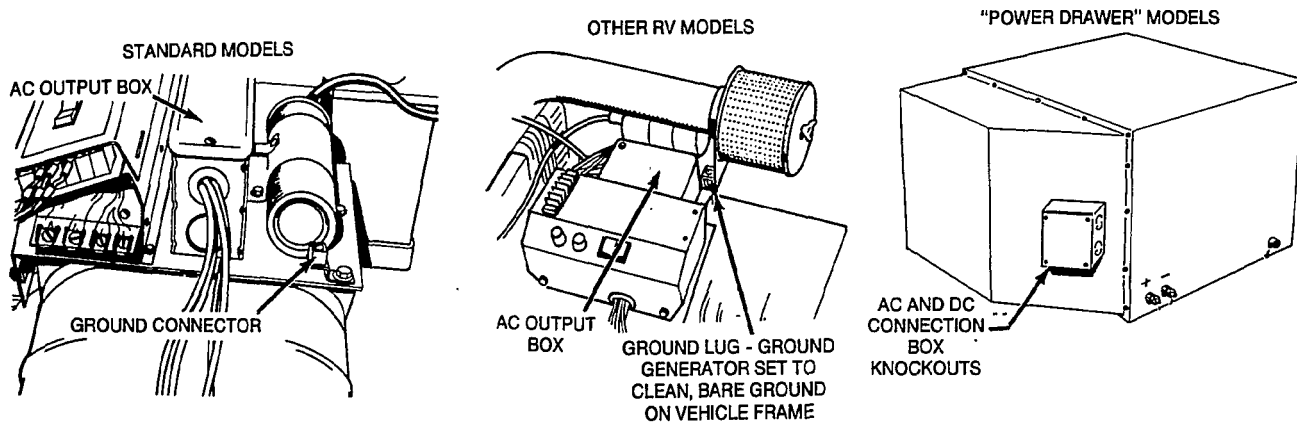
The AC output box has openings for load wires (Figure 1-3). Connect each load wire to the proper generator output lead inside the AC output box (descriptions following). Insulate the bare ends of ungrounded wires. Install a fused main switch (or circuit breaker) between the generator set and the load.

⚠ WARNING *Electrical shock can cause severe personal injury or death. Check voltage at the main junction box to be sure power has been disconnected before attempting load wire disconnection/reconnection.*



M-1773

FIGURE 1-2. CONTRACTOR AND PORTABLE GENSETS



ES-1810

FIGURE 1-3. AC OUTPUT BOX LOCATION

Reconnectible Single-Phase Generator

⚠ WARNING *Electrical shock can cause severe personal injury or death. Check voltage at the vehicle junction box to be sure power has been disconnected before attempting load wire disconnection/reconnection. Reconnectible single-phase generators can supply the following voltages (Figure 1-4):*

- 120/240 volts, 3 wire
- 120 volts, 2 wire
- 240 volts, 2 wire

Use the connection for two-wire service when one load exceeds one-half rated capacity. Balance the load when connecting for three-wire service. Current for any one output lead must not exceed the nameplate rating. Serious overloading can damage the generator windings. When two or more single-phase circuits are available, divide the load equally among them.

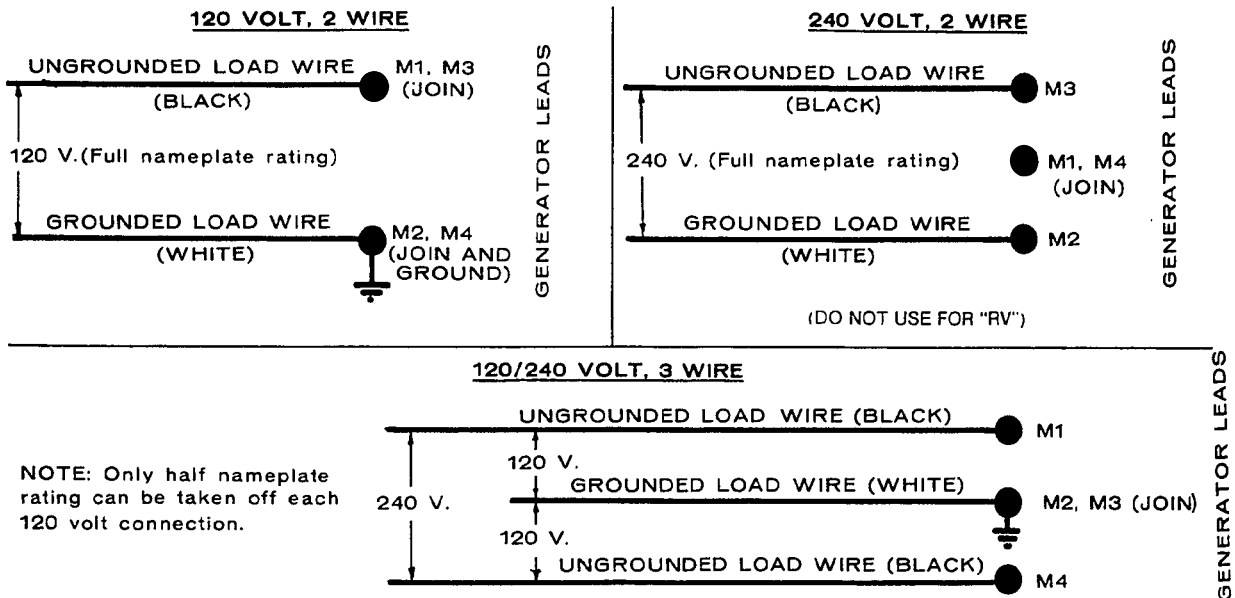


FIGURE 1-4. 120/240 VOLT RECONNECTIBLE GENERATOR LOAD CONNECTIONS

ES-1811

**Three-Phase Delta Wound Generator
120/240 Volt (Code 5D)**

⚠ WARNING *Electrical shock can cause severe personal injury or death. Check voltage at the main junction box to be sure power has been disconnected before attempting load wire disconnection/reconnection. Three-phase delta-connected generator sets can supply the following voltages (Figure 1-5):*

- 120-volt, single-phase current**
- 240-volt, single-phase current**
- 240-volt, three-phase current**

For three-phase operation, connect the three load wires to the three terminals M1, M2 and M3, one wire per terminal. M0 is neutral, and is not used for three-phase operation.

Connect the "hot" (black) load wire to either M1 or M2 for 120-volt single-phase service. Connect the neutral (white) wire to M0. Two 120-volt circuits are available.

Do not use M0 and M3 as a 120-volt circuit.

For single-phase 240-volt service, connect the load between M1 and M2, or between M2 and M3, or between M1 and M3 (three circuits available). M0 is not used.

Any combination of single-phase and three-phase loading can be used if no one terminal current exceeds the generator nameplate rating. Single-phase loads as large as two-thirds of the three-phase rating may be used if no other load exists on the generator.

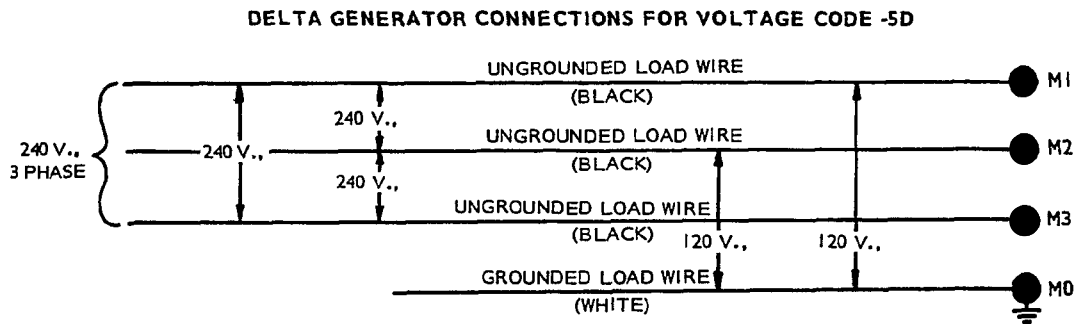


FIGURE 1-5. THREE PHASE 120/240 VOLT (DELTA) GENERATOR LOAD CONNECTIONS

ES-1812

Three Phase (Wye Connected) Generator
120/208 Volt (Code 4)
277/480 Volt (Code 4X)

⚠ WARNING *Electrical shock can cause severe personal injury or death. Check voltage at the main junction box to be sure power has been disconnected before attempting load wire disconnection/reconnection.*

Three-phase (wye-connected) generator sets produce single-phase voltage of the lower nameplate voltage (e.g. 120 volts) and three-phase voltage of the higher nameplate voltage (e.g. 208 volts). The M0 terminal is grounded. For single-phase current, connect the neutral (white) load wire to M0. Connect the "hot" (black) load wire to either M1, M2 or M3. Three separate single-phase circuits are available, each having no more than one-third the rated genset capacity from any one circuit.

For three-phase current, connect separate load wires to generator terminals M1, M2 and M3. Single-phase current is found between any two three-phase terminals. If using single-phase and three-phase current at the same time, take care to balance the single-phase load properly.

⚠ CAUTION *Continuous generator set overloading can cause high operating temperatures that could damage the generator windings. Use any combination of single-phase and three-phase loads, as long as the current in each load line of the generator does not exceed rated current.*

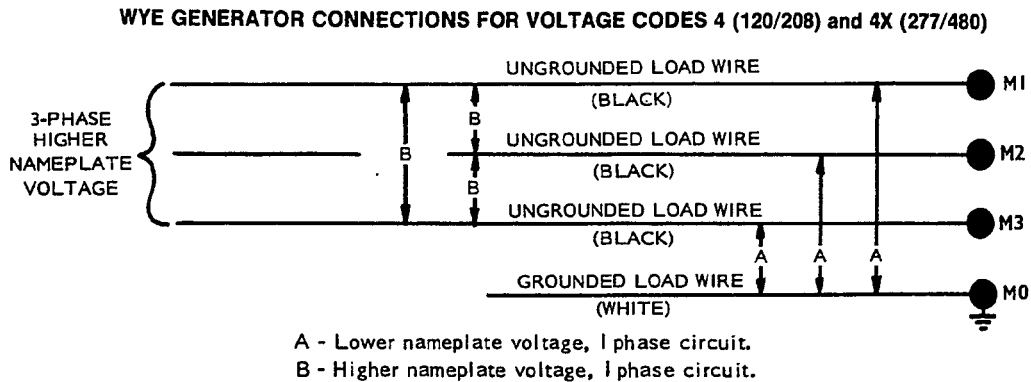


FIGURE 1-6. THREE-PHASE, FOUR WIRE (WYE) GENERATOR LOAD CONNECTIONS

ES-1813

Section 2. Generator

Onan Power Drawer gensets and controls are described in a separate section of this manual.

GENERATOR DISASSEMBLY

Before disassembling the generator, mark all leads and note their connection points. Figure 2-1 illustrates a typical generator parts breakdown.

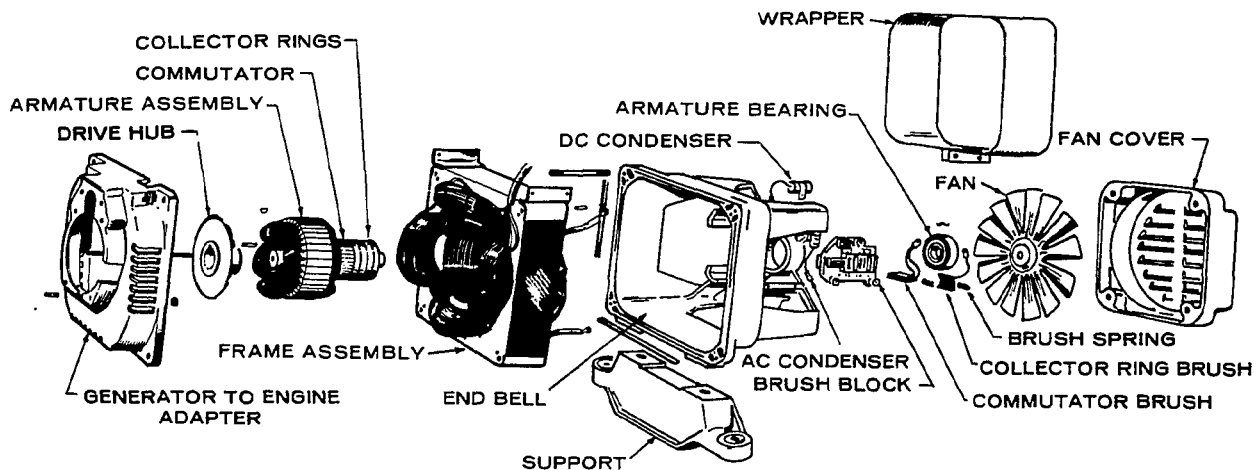
⚠ WARNING Many service procedures present hazards which can result in severe personal injury, death, and/or equipment damage. Only qualified service personnel with knowledge of fuels, electricity, and machinery hazards should perform service procedures. Review safety precautions on inside cover page.

1. Disconnect the battery cables from the generator set, negative (-) cable first.

⚠ WARNING Batteries present the hazard of explosion, which can result in severe personal injury. Because batteries produce explosive gas, do not smoke or allow any arc-producing devices in the battery area. To avoid excessive arcing, always disconnect the negative (-) cable first, and connect it last.

⚠ WARNING Inadvertent starting of the generator set can cause damage to the generator set, severe personal injury, or death. For this reason, do not reconnect the negative (-) battery cable until instructed to do so in this procedure.

2. Remove the control leads and other electrical leads to the engine.
3. Disconnect the load wires from the generator output wires in the AC output box.
4. Remove all accessories attached to the generator.
5. Remove the generator fan cover and end bell wrapper.
6. Loosen and lift out the brush rigs, or use wooden dowels or alligator clips to hold the brushes out of the way, to remove the end bell.



M-1774

FIGURE 2-1. TYPICAL GENERATOR DISASSEMBLY (EARLY MODELS)

⚠ CAUTION *The brushes may be damaged during removal if not held off the slip rings. Make certain to hold the brushes out of the way before removing the generator end bell.*

7. Remove the generator fan, mounting nut and washer.
8. Remove all the generator wire leads from the end bell assembly.
9. Remove the four generator through-bolts.
10. Lift or pull the end bell from the frame assembly (do not pry with a screwdriver). Tap around the edges of the end bell with a plastic hammer.
11. Remove the frame assembly. Screwdriver slots in the engine-generator adapter enable the frame to be pried loose. Be careful not to let the frame rest or drag on the armature during removal.

12. While pulling outward on the armature with one hand, strike a blow on the end of the armature through-stud with the nut on the stud, to loosen the armature. Remove the armature and drive hub as a unit. Do not lose the key from the drive hub on the engine shaft.

If the armature does not come loose, place a heavy brass rod on the armature shaft near the ball bearing and strike a sharp downward blow on the rod with a hammer. Rotate the armature 180° before repeating.

⚠ CAUTION *Inadvertently striking the commutator, collector rings or bearing can damage these parts severely. Use extreme care when performing this procedure.*

13. Remove the engine-generator adapter by removing the mounting screws.

GENERATOR TROUBLESHOOTING



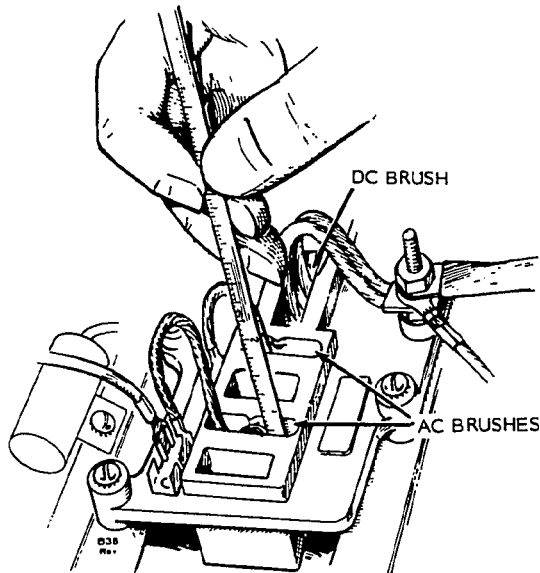
WARNING *Many troubleshooting procedures present hazards which can result in severe personal injury or death. Only qualified service personnel with knowledge of fuels, electricity, and machinery hazards should perform service procedures. Review safety precautions on inside cover page.*

TROUBLE	POSSIBLE CAUSE	CORRECTIVE ACTION
NO AC VOLTAGE	1. Blown fuse or circuit breaker (if used)	1. Look for cause and repair. Then replace fuse or reset breaker.
	2. Disconnected wire or lead brushes.	2. Reconnect wire or wires.
	3. Brushes not making contact with collector rings.	3. Check brush springs for free movement or brushes which may be excessively worn.
	4. Open, grounded or short circuit in field or armature winding.	4. Test with ohmmeter or continuity tester and repair or replace as necessary.
LOW AC OUTPUT	1. External short circuit on line.	1. Locate and eliminate short circuit problem.
	2. Generator overloaded.	2. Remove part of load.
	3. Shorted or grounded circuit in field or armature winding.	3. Test with continuity tester or ohmmeter and replace if defective.
	4. Engine not running properly causing generator to slow down.	4. Refer to Engine Section-Troubleshooting.
NOISY GENERATOR	1. Defective bearing in end bell.	1. Replace bearing.
	2. Brush rig loose.	2. Retorque.
	3. Armature and field frame rubbing together.	3. Check generator alignment and clean air gap between arm and field of varnish lumps.
GENERATOR OVERHEATS	1. Generator overloaded.	1. Remove part of load.
	2. Windings and parts covered with oil or dirt.	2. Clean generator.
	3. Air intake restricted or incoming air too hot.	3. Take necessary steps to allow for proper cooling.
	4. Shorted, open or grounded circuit in armature or field windings.	4. Test with ohmmeter or continuity tester and replace if defective.

GENERATOR SERVICE PROCEDURES AND TESTS

Brush Replacement

Install new brushes when the old ones are worn to the dimensions shown in Figure 2-2. Replace the brush springs if they are damaged, or if their correct tension is doubtful.



MEASURE FROM TOP FACE OF BRUSH BLOCK TO TOP OF BRUSH

G-1217

	DC	AC
NEW	5/8" (15.8 mm)	11/16" (17.5 mm)
1/2 WEAR	13/16" (20.6 mm)	7/8" (22.2 mm)
REPLACE	1" (25.4 mm)	1-1/16" (26.9 mm)

FIGURE 2-2. MEASURING BRUSH WEAR

1. Remove the generator end bell wrapper to expose the brushes.
2. Measure the brush wear.
3. Remove the three screws holding each brush block in place (Figure 2-3).
4. Remove the old brushes and clean the holders so the new brushes can move easily in their holders.
5. Install the new brushes.

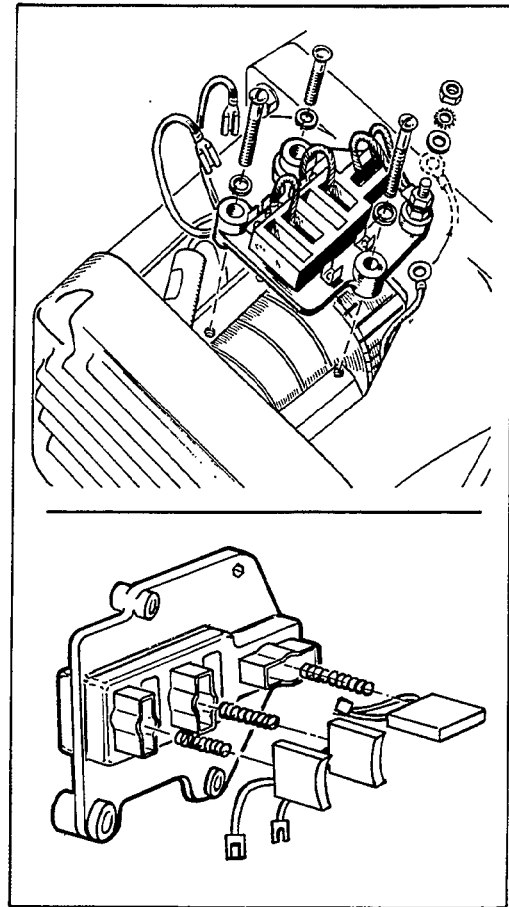


FIGURE 2-3. GENERATOR BRUSH REMOVAL

G-1218

CAUTION

Using the wrong brush can damage or destroy the generator. Never substitute a brush which appears to be the same, because it may have different electrical characteristics. Always use the correct Onan brush (correct part number listed in parts catalog).

6. Install the brush blocks and the generator end bell wrapper.

New brushes are shaped to fit, and seldom need sanding to fit properly. If brush sparking occurs, run the generator set with a light load until the brushes are properly seated.

Collector Rings and Commutator

If the collector rings are so grooved or pitted that good brush seating cannot be maintained, remove the armature and refinish the collector rings in a lathe. If the commutator appears rough or scored, refinish it at the same time.

▲WARNING *Incorrect use of a lathe or other power tools can cause severe personal injury, death, or equipment damage. Service personnel must be fully qualified to operate a lathe before attempting this service procedure. Wear eye and hand protection while performing this procedure.*

▲CAUTION *The lathe refinishing process can damage the ball bearing. Shield the ball bearing during refinishing to prevent damage.*

The commutator gradually wears with use. If the proper brushes have been used, and if they have been replaced at proper intervals, the commutator will wear slowly and evenly. In dusty conditions, or if the wrong brushes are used, wear occurs faster. Improper or excessive cleaning with sandpaper may cause the commutator to become grooved or out of round. If this condition exists, refinish the commutator in a lathe.

Lathe-Turning Collector Rings or Commutator

When a collector ring or commutator becomes grooved or pitted, turn it true in a lathe, as follows.

Remove the armature and center it on a lathe. Turn the commutator or collector ring just enough to provide a true concentric surface. Use #240 sandpaper to remove tool marks.

▲WARNING *Incorrect use of a lathe or other power tools can cause severe personal injury, death, or equipment damage. Service personnel must be fully qualified to operate a lathe before attempting this service procedure. Wear eye and hand protection while performing this procedure.*

After turning the slip rings, cut a slight chamfer on them to remove burrs and sharp edges. This reduces the possibility of a "flash over" between the rings. After the commutator is turned, undercut the mica insulation between the commutator bars as described in the paragraph *Undercutting the Mica Insulation*.

Undercutting the Mica Insulation: When the commutator wears down to the point that the mica insulation between bars contacts the brushes, the brushes will "jump", spark, operate noisily, and wear rapidly. This lowers the efficiency of the generator, and burns the commutator (Figure 2-4). When a "high mica" condition exists, or after the commutator has been turned on a lathe, the mica insulation must be undercut. A tool for this task is illustrated in Figure 2-4.

▲CAUTION *The undercutting process can easily damage the slip rings. Use extreme care not to draw the undercutting tool into the slip rings.*

To undercut the mica, center the cutting tool over the mica, and draw the tool the length of the commutator with a firm, steady pull. Repeat the cutting operation until the mica is removed to approximately 1/32 inch (0.8 mm) below the surface of the commutator.

When each section of mica is cut to the proper depth, proceed to the next section, until all are equally undercut. Carefully remove any burrs by holding a piece of #240 sandpaper against the commutator with a flat piece of wood, while the commutator turns rapidly.

▲WARNING

Contact with rotating machinery can result in severe personal injury. Wear eye protection and gloves, and use extreme care when performing this burr-removal procedure.

Before returning the armature to service, blow or brush all mica dust, metallic particles, etc. from the commutator grooves and surface. Bevel the edges of the bars on the larger commutators.

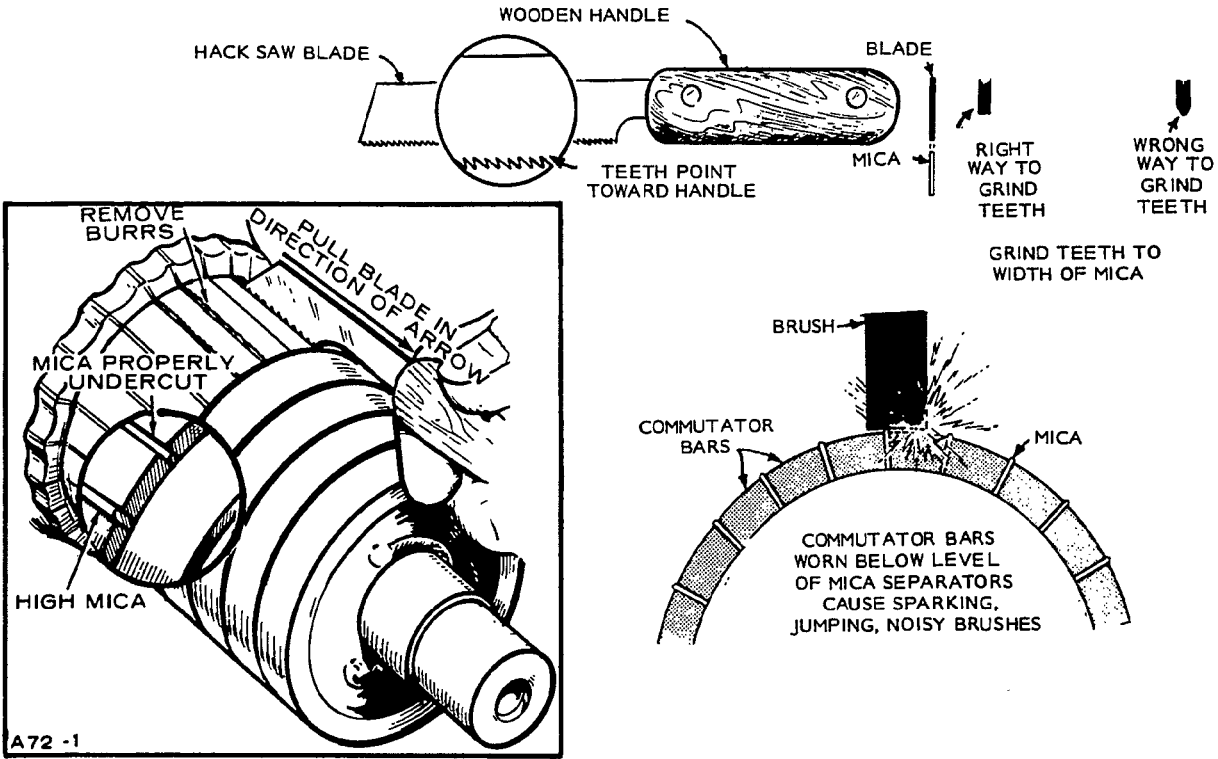


FIGURE 2-4. UNDERCUTTING MICA INSULATION

Testing Armature AC Windings - Continuity
Single Phase Models:

Using a Continuity Tester (6-volt Buzzer or Test Lamp): Continuity should exist between collector rings M1-M2, and between rings M3-M4. (On single-phase BFA models, continuity should exist only between M1 and M2.) There should be no continuity between M2-M3 (Figure 2-5).

Using an Accurate Ohmmeter: Resistances between collector rings M1-M2 and between M3-M4 should match values in Table 2-1. (On single-phase BFA models, measure resistance only between M1 and M2.)

TABLE 2-1.
SINGLE-PHASE ARMATURE RESISTANCES

VOLTAGE	kW	RESISTANCE
120/240	6.5	0.15 ohms
120/240	5.5	0.25 ohms
120/240	5.0	0.141 ohms
120	4.0	0.27 ohms
120/240	4.0	0.39 ohms
120/240	3.0	0.30 ohms
120/240	2.3	0.56 ohms

Three-Phase Models:

Using a Continuity Tester (6-volt Buzzer or Test Lamp): Continuity should exist between collector rings M1-M2, M2-M3, and M1-M3 (Figure 2-5).

Using an Accurate Ohmmeter: Resistances between collector rings M1-M2, M2-M3, and M1-M3 should match values in Table 2-2.

TABLE 2-2.
THREE-PHASE ARMATURE RESISTANCES

VOLTAGE	kW	RESISTANCE
120/208	6.5	0.20 ohms
120/208	4.0	0.49 ohms
120/240	6.5	0.40 ohms
120/240	5.5	0.76 ohms
120/240	4.0	1.28 ohms
277/480	6.5	0.76 ohms

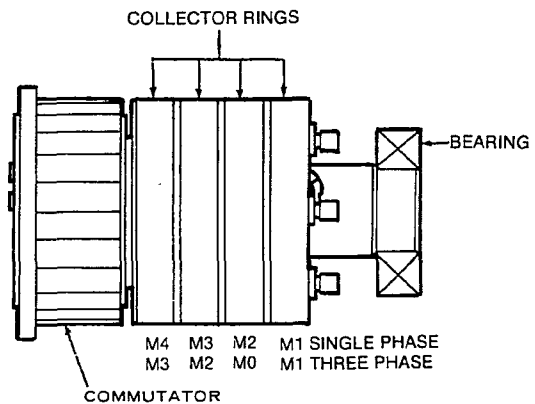
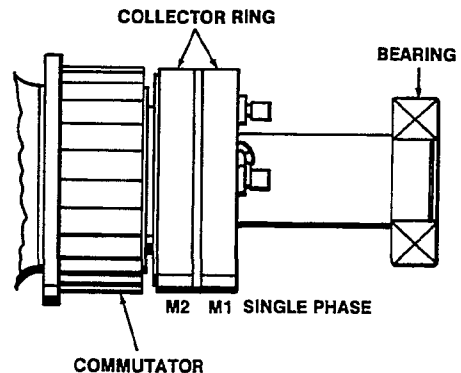
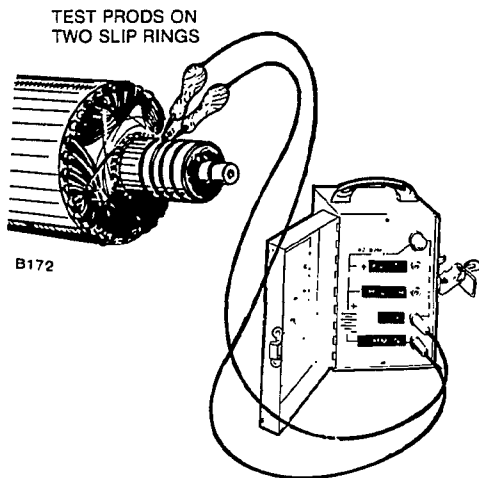


FIGURE 2-5. ARMATURE AC OPEN TEST

ES-1814

Testing DC Armature Windings

Open Circuit Test: Using a six-volt continuity tester, touch one prod to a commutator bar and hold it there. Touch the other prod to successive bars, working completely around the commutator. If the light does not glow and the buzzer does not buzz, there is an open DC winding. Replace the armature.

The growler can also indicate an open circuit. Place the armature in the growler and turn the current on. Pass a smooth steel strip across the commutator bars (Figure 2-6). Rotate the armature to check all bars and coils. A spark should occur between the commutator bars. No spark indicates an open coil. Replace the armature.

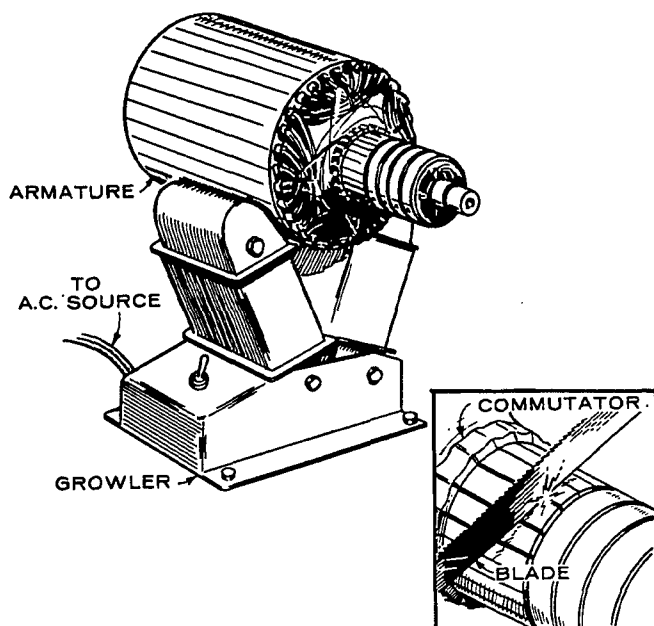


FIGURE 2-6. ARMATURE DC OPEN TEST WITH GROWLER

Armature Short Circuit Test

To test for a short circuit, place the armature in a growler (Figure 2-7). With the growler current on, hold a steel strip about 1/2 inch (13 mm) above the armature laminations. Pass the strip back and forth over the lamination. Cover as much of the lamination area as possible. If the strip is magnetically attracted to the armature at any point, this indicates a short circuit.

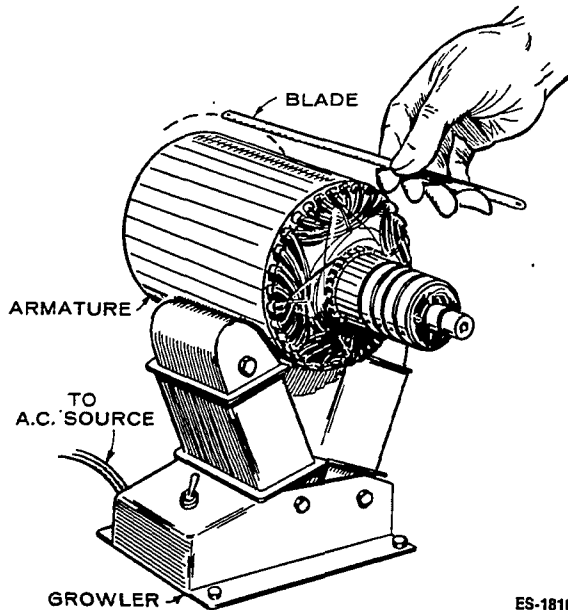
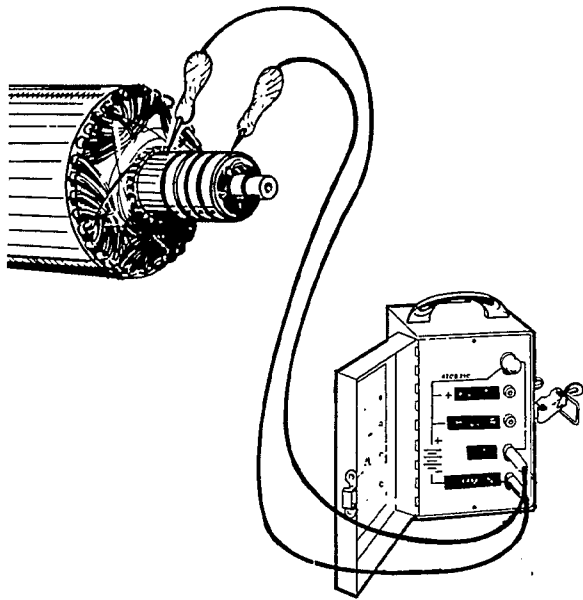


FIGURE 2-7. ARMATURE SHORT CIRCUIT TEST WITH GROWLER

After testing in one position, rotate the armature slightly in the growler and repeat the test. Continue until the armature is completely rotated in the growler. Replace a short-circuited armature with a new one.

The continuity tester may be used to test for a short circuit between AC and DC circuits of the armature. With one test prod contacting the commutator, contact the second test prod to the slip rings (Figure 2-8). If the lamp lights or buzzer sounds, a short circuit exists. Replace the armature.



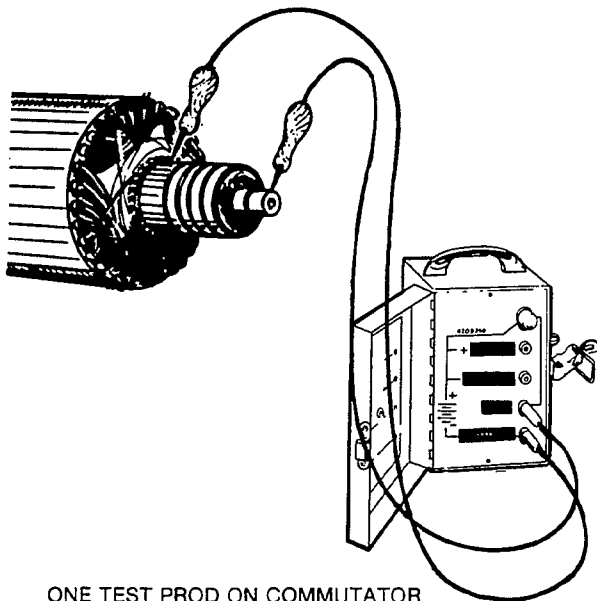
ONE TEST PROD ON COMMUTATOR.
ONE TEST PROD ON SLIP RINGS.
LAMP SHOULD NOT LIGHT OR
BUZZER SHOULD NOT SOUND.

ES-1817

FIGURE 2-8. ARMATURE SHORT CIRCUIT TEST WITH CONTINUITY TESTER

Armature Ground Test

Use a continuity tester. To test the DC winding, place one test prod on the armature shaft and the other on a commutator bar (Figure 2-9). If the tester lights or buzzer sounds, a grounded circuit is indicated. Replace the armature.

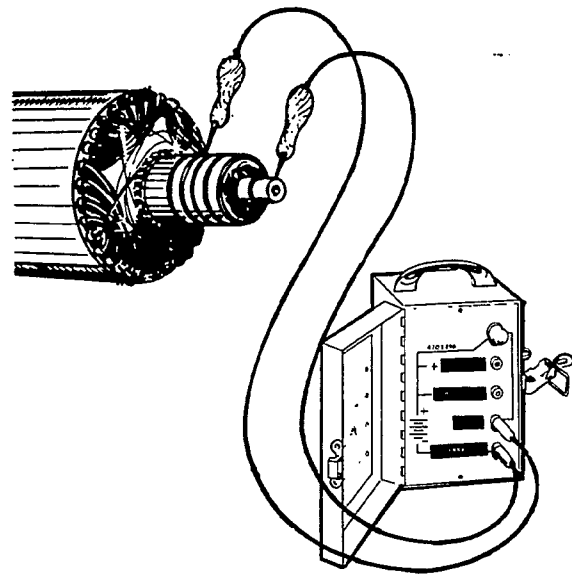


ONE TEST PROD ON COMMUTATOR.
ONE TEST PROD ON ARMATURE SHAFT.
LAMP SHOULD NOT LIGHT OR BUZZER
SHOULD NOT SOUND.

ES-1818

FIGURE 2-9. ARMATURE DC GROUND TEST

To test the AC winding, place one test prod on the armature shaft and the other prod to a slip ring (Figure 2-10). If the tester lights or buzzer sounds, a grounded winding or slip ring is indicated (repeat for each slip ring). Replace the armature.



ONE TEST PROD ON SLIP RING.
ONE TEST PROD ON ARMATURE SHAFT.
LAMP SHOULD NOT LIGHT OR BUZZER
SHOULD NOT SOUND.

ES-1819

FIGURE 2-10. ARMATURE AC GROUND TEST

Field Winding Tests

The following tests can be performed without disassembling the generator. Disconnect the field coil leads from their terminal points on brush blocks and disconnect the S1 terminal from the start solenoid.

⚠ WARNING *Electrical shock can cause severe personal injury or death. Use extreme caution when working on electrical circuitry. Attach and remove meter leads only when generator set is not operating. Do not touch meter or meter leads during testing.*

If the frame assembly failure is an external lead between coils or the coil lead, the connection may easily be repaired. If the problem lies inside a coil, replace the entire frame assembly (wound stator). Figure 2-11 shows the wound stator assembly separated from the other generator components, to simplify the wire lead illustration.

DC field voltage during no-load operation for the LK is 17 volts, 27 to 33 volts for the CCK, MCCK, and NH.

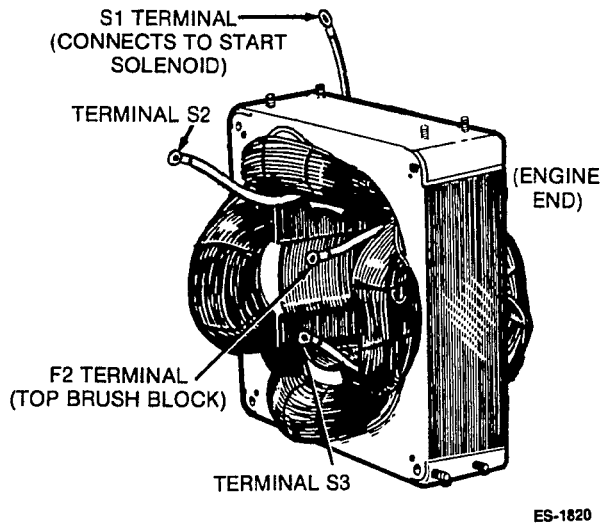


FIGURE 2-11. GENERATOR FRAME (WOUND STATOR) ASSEMBLY

To connect the voltmeter, first remove the wrapper from the end bell. With the generator set stopped, connect one voltmeter lead to the top commutator brush lead which goes to ground, and connect the other voltmeter lead to the commutator brush lead on the left. Start the generator set and note the DC field voltage. Stop the generator set, remove the voltmeter lead from the brush on the left side and connect it to the other commutator brush lead on the right side. Restart the generator set and check the DC voltage again. Stop the generator set when finished.

⚠ WARNING *Electrical shock can cause severe personal injury or death. Use extreme caution when working on electrical circuitry. Attach and remove meter leads only when generator set is not operating. Do not touch meter or meter leads during testing.*

Field Ground Tests

With an ohmmeter or continuity tester, touch one prod to each coil terminal and the other test prod to a clean, paint-free part of the generator frame. If the lamp lights or the ohmmeter shows continuity, replace the frame assembly.

Field Open Tests

Check the shunt winding resistance between S1 and F2. Table 2-3 lists field winding resistances. Measure the series winding resistances between S1 and S2, and S1 and S3. If resistance is high, an open circuit is likely, and the frame assembly should be replaced.

TABLE 2-3. FIELD WINDING RESISTANCES

GENERATOR SET	SHUNT WINDING	SERIES WINDING
LK	0.89	0.015
BK	1.82	0.019
BFA	1.00	0.019
BGA	1.88	0.014
CCK	1.48	0.014
MCCK	0.93	0.011
NB	0.67	0.016
NH	0.94	0.010

* - Resistance values $\pm 5\%$ at 77°F or 25°C. See Generator section in Service Manual 900-0196 for procedure.

TABLE 2-4. ROTOR/STATOR RESISTANCE VALUES

COMPONENT	RESISTANCE, OHMS @ 77° F (25° C)	
	4.0 MCCK-3CR	6.5 MCCK-3CR
ROTOR	0.194 TO 0.238	0.103 TO 0.127
STATOR (Shunt Field)		
F1-F2	15.23 to 16.17	15.33 to 16.27
F2-F3	3.81 to 4.04	3.83 to 4.07
F3-F1	11.42 to 12.13	11.50 to 12.20

GENERATOR ASSEMBLY

1. Clean and inspect all mating surfaces. The surfaces must be clean and smooth.
2. Coat the mating area between the generator shaft and the engine crankshaft with a thin film of lubricating oil.
3. Assemble the armature through-stud to the engine crankshaft with required torque.
4. Make certain that the key is in the crankshaft.
5. Slide the armature over the through-stud and onto the crankshaft, taking care not to let the weight of the armature rest on the through-stud.

CAUTION *Misalignment can shorten the life of the rear main and outboard bearings. It can also double cranking torque requirements, resulting in damage to the commutator and DC brushes. For this reason, do not tighten the armature or rotor through-stud before mounting the frame and end bell.*

6. Install the frame and end bell (with bearing).
7. Install the four generator through-bolts, washers, lockwashers and nuts. Tighten to the specified torque.
8. Install the generator fan cover.
9. Torque down the armature through-stud nut.

10. Tap the end bell in the horizontal and vertical planes with a lead hammer to relieve stresses on the components, then recheck the torque.
11. Install the generator fan cover.
12. Reconnect the wire leads to the engine.
13. Reinstall the battery cables.

WARNING *Arcing or inadvertent starting of the generator set can cause damage to the generator set, severe personal injury, or death. For this reason, do not reconnect the negative (-) battery cable until instructed to do so in this procedure.*

Section 3. Control System

OPERATION DESCRIPTION

This manual section is divided into five parts, corresponding to the different types of controls used with the UN generators. Table 3-1 indexes the operation descriptions for the different types of controls. Troubleshooting procedures are described in Section 4 of this manual.

NOTE: Section 5 of this manual describes the generators and controls of the Onan "Power Drawer" gensets.

**TABLE 3-1.
INDEX OF CONTROL SYSTEM DESCRIPTIONS**

UNIT	PAGE
NB	3-1
MCKK (Spec D) NH (Spec A through C)	3-2
CCK (Spec R) MCKK (Begin Spec E) NH (Spec D through F)	3-4
BF CCK (Begin Spec U) LK (Begin Spec M) NH (Begin Spec J)	3-6
BFA (Spec A) BGA (Spec A) NH (Spec K)	3-7
MCKK (Spec H)	3-8

NOTE:When relay operation is described, "N.O." refers to normally open relays, and "N.C." refers to normally closed relays.

NB MODELS

STARTING

When switch S1 is moved to START (Figure 3-1), battery negative (-) is connected to start solenoid relay K1. (Battery positive B+ is already present.) Relay K1 closes its N.O. contacts to connect B+ to the series field cranking windings of the generator. K1 also connects B+ to stop relay K2. The N.O. contacts of K2 close to connect B+ to ignition coil T1 and breaker points S2. Solenoid K4 energizes to release gaseous fuel to the engine, or electric fuel pump E2 operates to pump gasoline to the engine.

IGNITION

The generator acts as a motor to crank the engine. If ignition voltage and fuel are present, the engine starts, and attains rated speed. After starting, the start switch can be released, because generator voltage is connected through resistor R1 to keep relay K2 energized, connecting voltage through R1 and diode CR1 to ignition coil T1 and breaker point assembly S2 to keep the engine running.

BATTERY CHARGING

The two-stage battery charging circuit provides a continuous low-current charge from the generator through resistor R1, diode CR1, and ammeter M1 to battery BT1. If this charging rate is too low, the circuit automatically switches to a higher rate, as follows. Voltage regulator relay K3 receives too low a voltage to energize, so its N.C. contacts remain closed, allowing generator current to pass through resistor R2, K3 contacts, diode CR1, and to the battery. When the battery is fully charged, enough voltage is present to energize K3, opening its contacts to remove the high charge rate from the circuit.

STOPPING

Moving switch S1 to STOP grounds the positive side of stop relay K2. K2 deenergizes, opening its contacts to remove B+ from the primary side of the ignition coil. This prevents a make and break of the ignition primary, to eliminate the spark at the plug, stopping the engine.

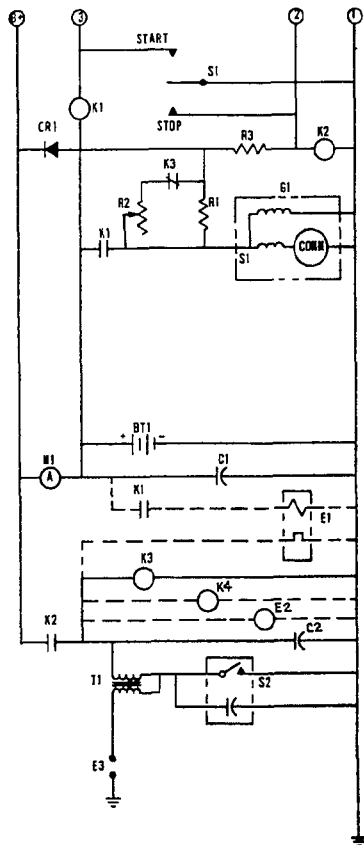


FIGURE 3-1. TYPICAL SCHEMATIC FOR NB

MCKK (SPEC D) AND NH (SPEC A THROUGH C) MODELS

This description refers to an NH generator set, but applies for the most part to the Spec D MCKK generator set as well. See Figure 3-2.

STARTING

When switch S1 is moved to START, battery negative (-) is connected through switch S1, closed K4 contacts, and start disconnect relay assembly K4 terminals 6 and 7, to start solenoid relay K1. The N.O. contacts of K1 are closed to connect B+ to the choke, and to connect B+ to the series field windings of the generator and stop relay K2. K2 closes its N.O. contacts to connect B+ to the two-step voltage regulator relay K3, to the fuel pump or gas valve E2 (if used), and to ignition coil T1 and breaker points assembly S2.

IGNITION

The generator acts as a motor and cranks the engine. If ignition voltage and fuel are present, the engine starts and reaches rated speed. Generator DC output, after reaching 10 to 11 volts, energizes the transistor in start disconnect relay K4 assembly, which connects ground to start disconnect relay K4. K4 remains energized during genset operation, holding its N.O. contacts closed to keep stop relay K2 energized, and providing voltage for the ignition circuit and battery charging through ammeter M1. The N.C. contacts of K4 are opened at this time, breaking the start signal from switch S1 and start solenoid K1. Optionally, another set of K4 contacts are closed, connecting B+ to the choke and its heating element (when used).

To test the start disconnect relay, check the coil resistance (20 to 24 ohms) and the contact operation when the unit starts.

BATTERY CHARGING CIRCUIT

The generator DC windings supply battery charging current through adjustable charge rate resistor R2, start disconnect relay K4 contacts, and ammeter M1 to battery BT1. The slider on R2 adjusts the charge rate between two and five amperes.

AUTOMATIC EMERGENCY STOPPING

The emergency stopping system consists of two devices; the high temperature cut-off and the low oil pressure cut-off.

The optional high air temperature switch (S3 in Figure 3-2) for the NH generator set closes during high temperatures, grounding the coil side of the ignition points, to stop the engine. A high water temperature shutdown on MCKK marine generator set also shuts down the engine for high water coolant temperature, by opening to remove B+ from the ignition coil.

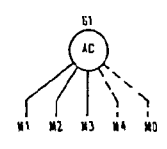
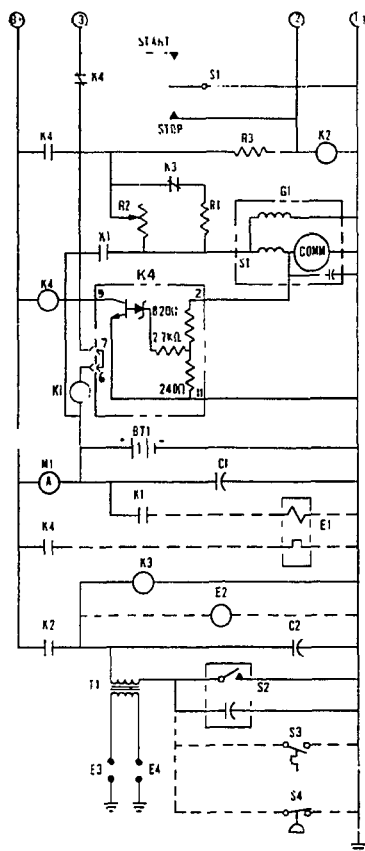
A low oil pressure circuit (optional on the NH) includes a non-adjustable low oil pressure switch (shown as S4 in Figure 3-2). This switch closes if low oil pressure occurs, grounding the ignition breaker points. On the MCKK, this switch closes during low oil pressure conditions, but connects ground to a low oil pressure relay, which opens contacts that remove B+ from the ignition coil.

When the genset is used with an automatic transfer switch or automatic demand control and one of the emergency stopping devices operates, the engine stops, then cranks until the control cranking limiter opens.

STOPPING

Moving switch S1 to STOP grounds the positive side of stop relay K2. K2 deenergizes, opening contacts that remove B+ from the primary side of the ignition coil. This eliminates spark at the plugs, stopping the engine.

The six-volt stop relay is used in series with the 30-ohm voltage drop resistor. Coil resistance of the stop relay is roughly 30 ohms. If a problem arises, check the resistance, inspect the contacts, and check contact operation when voltage is applied to the coil.



- BT1 Battery
- E1 Electric Choke (When Used)
- E2 Fuel Pump or Gas Valve (When Used)
- E3,E4 Spark Plug
- G1 Generator
- K1 Start Solenoid Relay
- K2 Stop Relay
- K3 Two-Step Voltage Regulator Relay
- K4 Start Disconnect Relay Assembly
- M1 Charge Ammeter
- R1,R2,R3. Resistor
- S1 Start-Stop Switch
- S2 Breaker and Cap Assembly
- S3 High Air Temperature Switch (When Used)
- S4 Low Oil Pressure Switch (When Used)
- T1 Ignition Coil

FIGURE 3-2. TYPICAL SCHEMATIC FOR NH

CCK (SPEC R), MCKK (BEGIN SPEC E), AND NH (SPEC D THROUGH F) MODELS

This description refers to CCK and NH generator sets, but applies for the most part to the MCKK generator set (begin Spec E) as well. See Figure 3-3.

STARTING AND IGNITION

Controls With 300-1227 Start Disconnect Adapter
Switch A1S2, when moved to START, (Figure 3-3), closes a circuit through diode A1CR1 and switch A1S1 to terminal 6. This energizes ignition coil T1 and either electric fuel pump E1 or fuel solenoid K2, for gasoline or gaseous fuel, respectively.

When switch A1S2 closes, it places B+ on terminal 16 of start disconnect adapter A3. Transistor A3Q1 is energized, and connects B+ to start solenoid K1. K1 contacts close, connecting B+ to the generator. The generator acts as a motor and cranks the engine. If ignition voltage and fuel are present, the engine starts and accelerates to governed speed. On some models, the start solenoid K1 also energizes a choke.

For generator sets with a three-wire start adapter A2, moving the switch to START energizes relay A2K2, which closes contacts A2K2. This connects B+ to terminal 16 and start disconnect adapter A3, which energizes start solenoid K1.

Controls Without Start Disconnect Adapter

Switch A1S2, when moved to START, closes a circuit through diode A1CR1, switch A1S1 and to terminal 6. This energizes ignition coil T1, electric fuel pump E1 (when used), and fuel solenoid K2 (when used).

When switch A1S2 closes, transistor A1Q2 turns on, energizing terminal 9 and start solenoid K1. K1 contacts close, connecting the battery to the generator, which acts as a motor and cranks the engine. If proper coil voltage and fuel are available, the engine starts and accelerates to governed speed. On some models, start solenoid K1 also energizes a choke.

For generator sets with a three-wire start adapter A2, moving the switch to START energizes relay A2K2, closing its contacts. This places B+ on terminal 16, connecting through transistor A1Q2 to start solenoid K1.

*A1F1 FUSE (USED ON EARLIER MODELS)

Later models use a 9 ampere in-line fuse (F1) for protecting board against reverse battery connections. This fuse is located in wiring harness between terminal 5 and battery.

- A1 Generator Set Control Assembly
- A2 Start Adapter Control (4 to 3 wire)
- A3 Disconnect Adapter Control
- BT1 Battery
- E1 Fuel Pump or Gas Valve (When Used)
- E2,E3 Spark Plug
- E4 Electric Choke (When Used)
- G1 Generator
- K1 Start Solenoid Relay
- K2 Fuel Solenoid (When Used)
- S1 Low Oil Pressure Switch (When Used)
- S2 High Air Temperature Switch (When Used)
- S3 Breaker and Cap Assembly
- S4 Remote Start-Stop Switch (Customer Remote)
- S5 Vacuum Switch (When Used)
- T1 Ignition Coil
- A1S1 Hand Crank - Electric Start Switch
- A1S2 Start-Stop Switch

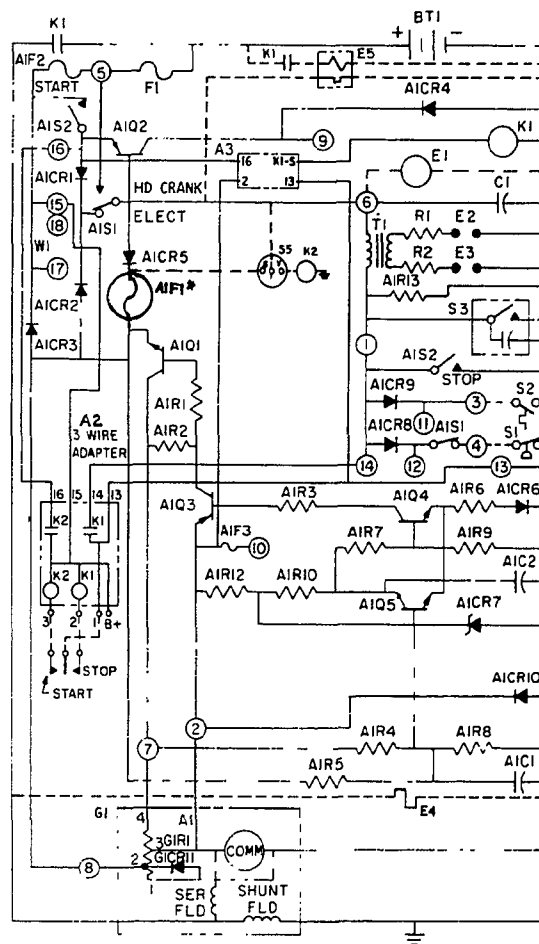


FIGURE 3-3. TYPICAL SCHEMATIC FOR CCK (SPEC R) AND NH (SPEC D THROUGH F)

START DISCONNECT

Controls With 300-1227 Start Disconnect Adapter

When the engine starts, generator DC voltage supplied to terminal 2 turns on transistor A3Q3 of the start disconnect adapter and turns off transistors A3Q1 and A3Q2. Start solenoid K1 is deenergized and breaks the starting circuit. At the same time, the generator output at terminal 8 supplies current through diode A1CR2 through switch A1S1, to ignition coil T1 and either electric fuel pump E1 or fuel solenoid K2 (gasoline or LPG-fueled sets respectively).

Controls Without Start Disconnect Adapter

When the engine starts, generator DC voltage supplied to terminal 8 causes A1CR5 to stop conducting, and turns off transistor A1Q2. This deenergizes start solenoid K1 and breaks the starting circuit. At the same time, the generator output at terminal 8 supplies current through A1CR2 diode, to ignition coil T1, and electric fuel pump E1 or fuel solenoid K2.

BATTERY CHARGING

The two-step battery charging circuits (Figure 3-3) provide either a continuous low 1.5-ampere or a high 5.26-ampere charge rate.

The low charge circuit (about 1.56 amperes) from generator G1 passes through charge resistor G1R1 (8.3 ohm side) terminal 2, control terminal 8, through A1CR3, control terminal 5, through fuse A1F2, and fuse F1 to the battery.

The high charge circuit (about 3.7 amperes) goes through charge resistor G1R1 (3.8 ohm side), terminal 4, control terminal 7, transistor A1Q1, diode A1CR3, fuse A1F2, control terminal 5, and fuse F1 to the battery. Together the low and high charge circuits provide roughly 5.26 amperes during high charging periods. The high charging circuit switches on each time the generator set is started, and switches off when the battery is almost fully charged. Blocking diode A1CR3 prevents the battery from discharging when the generator is stopped.

High Charge Rate Control Circuit

Battery voltage and switching transistors A1Q1, A1Q3, A1Q4, and A1Q5 control the high charge rate control circuit (Figure 3-3). This circuit switches on when battery voltage drops to 13 volts, automatically turning off transistor A1Q5. This action turns on A1Q4, which then turns on A1Q3. This turns on A1Q1, which completes the high charge circuit to the battery for charging at the high rate.

The circuit switches off when battery voltage rises to 15 volts, automatically turning on transistor A1Q5. This action turns off A1Q4 which then turns off A1Q3. This turns off A1Q1, which opens the high charge circuit to the battery, to stop charging at the high rate.

STOPPING

The generator set stops when switch A1S2 is moved to the STOP position. This switch grounds the point side of the coil, preventing a make and break of the ignition primary, cutting off spark to the plugs. At the same time, the battery is prevented from discharging through the generator by A1CR3 diode.

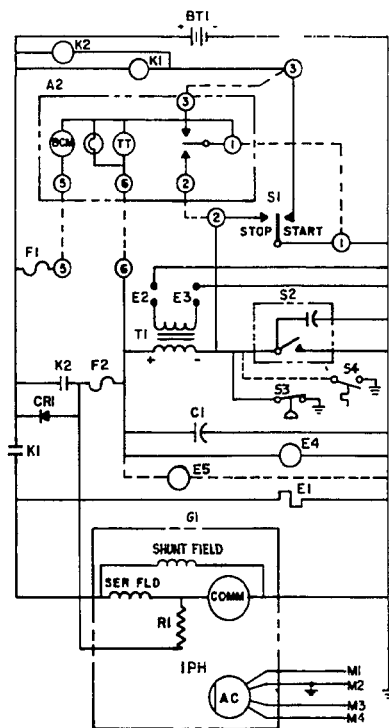
On generator sets with a three-wire adapter A2, moving the switch to STOP energizes relay A2K1, and A2K1 contacts close which ground terminal 14, the point side of the coil, etc.

BF, CCK (BEGIN SPEC U), LK (BEGIN SPEC M), AND NH (BEGIN SPEC J) MODELS

This operation description applies to all the series listed above except the Spec A series BF. The Spec A BF operates identically, except that it does not have a separate crank ignition relay for the ignition circuit (see *Wiring Diagrams* section).

STARTING

When switch S1 is moved to START (Figure 3-4), battery negative (-) is connected through switch S1 to start solenoid K1 and crank ignition relay K2. Start solenoid relay K1 closes its N.O. K1 contacts to connect B+ to the series field cranking windings of the generator. Ignition relay K2 closes its N.O. K2 contacts to connect B+ to ignition coil T1, breaker points assembly S2, and electric fuel pump E4 or fuel solenoid E5. E5 opens the fuel line to permit gaseous fuel flow from the fuel pump to the carburetor.

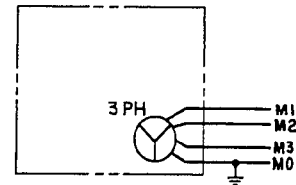


IGNITION

The generator acts as a motor to crank the engine. If ignition voltage and fuel are present, the engine starts and reaches rated speed. At this time, the operator can release the start switch, because the generator, through resistor R1 and fuse F2, supplies voltage to fuel solenoid E5, ignition coil T1, and breaker point assembly S2. It also supplies voltage through diode CR1 to recharge and maintain the battery. Generator voltage also operates the Onan electric choke E1, which slowly opens as the engine runs.

STOPPING

Moving switch S1 to STOP connects battery ground to terminal 2, to ground the point side of the ignition coil. This prevents a make and break of the ignition primary, to eliminate spark at the plugs. As the engine stops, blocking diode CR1 prevents battery discharge through the generator.



- A2 Deluxe Remote Control
- BT1 Battery
- E1 Electric Choke
- E2,E3 Spark Plug
- E4 Fuel Pump (When Used)
- E5 Fuel Solenoid (When Used)
- G1 Generator
- K1 Start Solenoid
- K2 Crank Ignition Relay
- S1 Start-Stop Switch
- S2 Breaker and Cap Assembly
- S3 Low Oil Pressure Switch (When Used)
- S4 High Air Temperature Switch (When Used)
- T1 Ignition Coil

FIGURE 3-4. TYPICAL SCHEMATIC FOR BF (BEGIN SPEC B), CCK (BEGIN SPEC U), LK (BEGIN SPEC M), AND NH (BEGIN SPEC J)

BFA (SPEC A), BGA (SPEC A) AND NH (SPEC K) MODELS

STARTING

When start-stop switch S1 is moved to "START" (see schematic), ground is connected from the battery through switch S1 to start solenoid K1 and crank ignition relay K2. Start solenoid relay K1 closes its normally-open contacts to connect battery positive to the series field cranking windings of the generator and to the electric choke E1. Crank ignition relay K2 closes its normally-open contacts to connect battery positive through ignition fuse F2 to electric fuel pump E4 and ignition coil T1. The fuel pump begins to pump fuel to the carburetor.

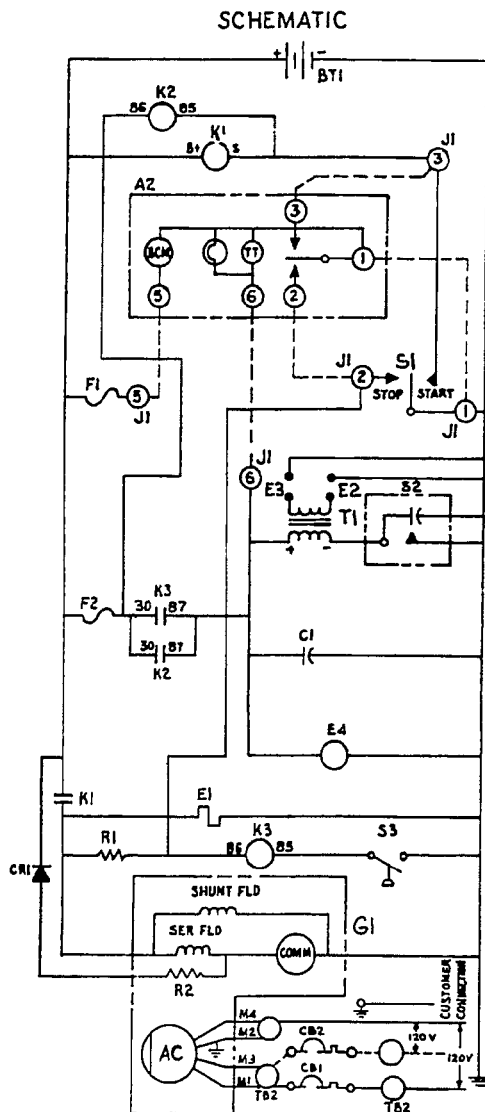


FIGURE 3-4. TYPICAL SCHEMATIC FOR
BFA, BGA, AND NH (SPEC K)

IGNITION

The generator acts as a motor and cranks the engine. If sufficient ignition voltage and fuel are present, the engine starts and reaches rated speed. Generator output energizes run ignition relay K3 which connects B+ to ignition coil T1 and fuel pump E4. This enables the operator to release start-stop switch which causes start solenoid K1 and crank ignition relay K2 to de-energize. Generator output also supplies a voltage through diode CR1 to recharge and maintain the battery, and to operate the Onan choke E1 (which slowly opens as the engine continues to run).

STOPPING

Moving start-stop switch S1 to "STOP" connects battery ground to run ignition relay K3 and resistor R1. Relay K3 is de-energized and opens its normally-open contacts to remove battery positive from fuel pump E4 and ignition coil T1. This prevents a make and break of the ignition primary to eliminate spark at the plugs and stop the engine. After the engine stops, blocking diode CR1 prevents battery discharge through the generator.

- A2 Deluxe Remote Control
- BT1 Battery
- E1 Electric Choke
- E2, E3 Spark Plug
- E4 Fuel Pump
- G1 Generator
- K1 Start Solenoid Relay
- K2 Crank Ignition Relay
- K3 Run Ignition Relay
- R1, R2 Resistor
- S1 Start-Stop Switch
- S2 Breaker and Cap Assembly
- S3 Low Oil Pressure Switch
- T1 Ignition Coil
- CB1 Circuit Breaker

MCCK SPEC "H" MODELS

STARTING

When switch S1 is moved to the START position, the ground circuit is completed for start solenoid coil K1 and crank ignition relay coil K2. Battery current flows through fuse F2 (5A), relay coil K2, normally closed contacts of K3 (run ignition, start disconnect relay), and relay coil K1 to ground.

Solenoid contacts K1 close and connect B+ to starter motor B1, which cranks the engine. The contacts of relay K2 close, connecting B+ to the ignition circuit and fuel pump E4.

IGNITION

During cranking, battery ignition current is conducted by the relay contacts of K2. As the engine starts and oil pressure switch S3 closes, relay K3 is energized by current build-up in the generator field. Relay contacts K3 open cranking solenoid K1 (cranking stops), and complete the "run ignition" circuit (K2 contacts are open when start switch is released).

The ignition current flows through resistor R3 (1.72 ohm), high water temperature switch S5, feedthrough capacitor C1, ignition coil T1 and the breaker assembly to ground.

Run ignition start disconnect relay K3 gets its operating current from a tap on the generator shunt field. The circuit is completed by resistor R1 (100 ohm), oil pressure switch S3 and the normally closed contact of stop relay K4.

BATTERY CHARGING AND CHOKE HEATER CIRCUIT

Choke heater E5 is connected in series with the battery charging circuit. Power is taken from the generator 120-volt AC winding M1, M2. The AC current is rectified by diode CR2 and flows through resistors R4 and R5 (7.5 ohm each), fuse F3 (3A), choke heater E5 (40 ohm), resistor R2 (25 ohm) and fuse F2 (5A). The circuit components limit the charging current to about one ampere.

Fuse F3 protects the battery charging circuit. If blown, the battery will not receive any charging current, and the carburetor choke will not open, resulting in poor engine performance after warm-up.

STOP CIRCUIT

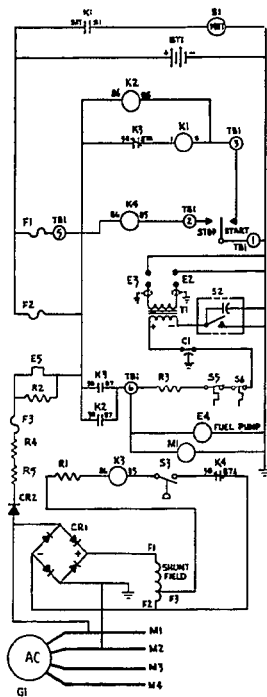
When switch S1 is held in the STOP position, current flows from B+ through the coil of relay K4, to ground. K4 energizes and opens the circuit to K3, which breaks the ignition circuit. With the ignition current cut off, the generator set stops.

BATTERY CHARGING DIODE

CR2 rectifies the AC power from the generator, preventing battery discharge through the generator on shutdown. The diode replaces the reverse current relay used on some earlier models.

SHUNT FIELD BRIDGE RECTIFIER CR1

Diode bridge CR1 is located on the top brush holder of the generator. It rectifies AC power from generator terminals M1 and M2, and supplies DC current for energizing the generator shunt field. At normal operating conditions, field voltage measured between F1 and F2 is 100 to 110 volts DC. If there is no generator output, check CR1 as a possible fault. The residual magnetism may need restoring, as shown in Figure 3-6.



- A2 Deluxe Remote Control
- A3 Standard Remote Control
- BT1 Battery
- B1 Starter Motor
- C1 Condenser Assembly
- CR1 Bridge Rectifier
- CR2 Silicon Rectifier
- E2, E3 Spark Plug
- E4 Fuel Pump
- E5 Electric Choke
- F1, 2 Fuse (5 amp, 32 V)
- F3 Fuse (3 amp)
- G1 Generator
- K1 Start Solenoid Relay
- K2 Crank Ignition Relay
- K3 Run Ignition Relay
- K4 Stop Relay
- R1, R2 Resistor
- R3, R4,
- R5
- S1 Start/Stop Switch
- S2 Breaker and Cap Assy. Switch
- S3 Low Oil Pressure Switch
- S5 High Water Temperature Switch
- T1 Ignition Coil
- TB1 Terminal Block
- TB2 Terminal Block

FIGURE 3-5. TYPICAL SCHEMATIC FOR MCKK SPEC "H" GENERATOR SETS

RESTORING RESIDUAL MAGNETISM

Residual magnetism in shunt field F1 may be lost if diode bridge CR1 fails, or if the shunt field is replaced. This renders the genset inoperative. The set will not operate because start-disconnect relay K3 is not energized.

Residual magnetism is restored through the following procedure:

1. Remove the generator end bell wrapper and locate the CR1 bridge rectifier on the top brush holder.
2. Make a jumper lead containing a 12-ampere 300-volt diode and a 20-ohm 10-watt resistor in series as shown. Observe diode polarity. The lead must reach from the genset B+ terminal to the positive terminal of bridge rectifier CR1. Install clips at each end, and insulate bare wires and connections.

3. Connect the diode end of the jumper lead to the genset B+ terminal, and the resistor end to the positive (+) terminal of the bridge rectifier. Maintain the connection for 5 seconds maximum.
4. Remove the jumper lead connections and test genset operation. Replace the end bell wrapper.

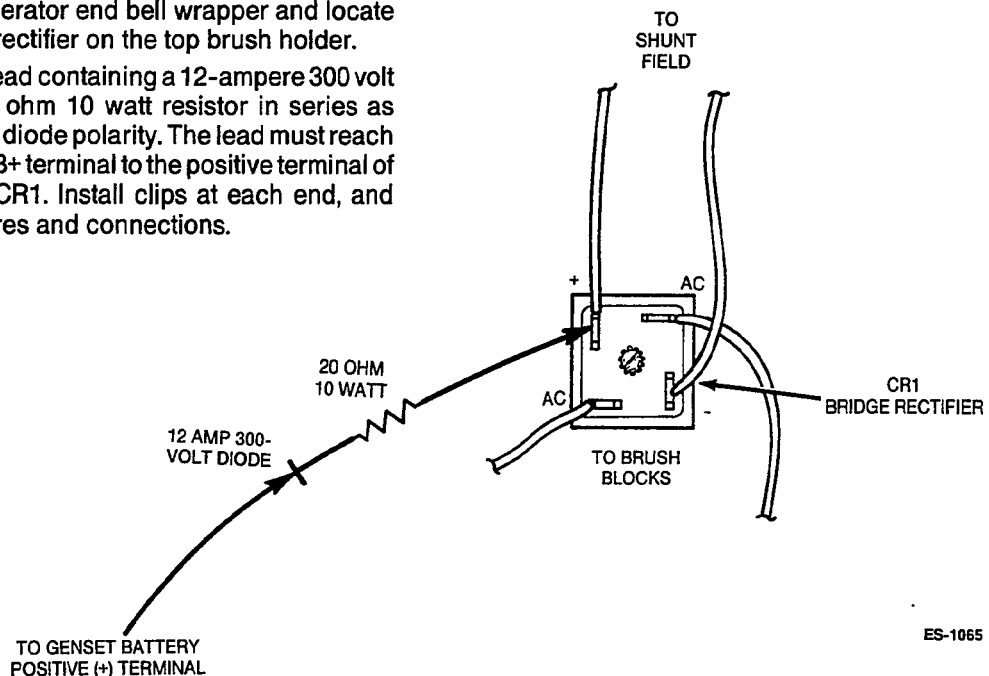


FIGURE 3-6. RESTORING RESIDUAL MAGNETISM



Section 4. Troubleshooting

This section is divided into five parts, corresponding to the types of control circuitry used with the UN generator. An index for this section is shown below.

⚠WARNING *Many troubleshooting procedures present hazards which can result in severe personal injury, death, and/or equipment damage. Only qualified service personnel with knowledge of fuels, electricity, and machinery hazards should perform service procedures. Review safety precautions on inside cover page.*

UNIT	PAGE
NB	4-1
MCKK (Spec D) NH (Spec A through C)	4-5
CCK (Spec R) MCKK (Begin Spec E) NH (Spec D through F)	4-9
BF CCK (Begin Spec U) LK (Begin Spec M) NH (Begin Spec J)	4-16
BFA (Spec A) BGA (Spec A) NH (Spec K)	4-20

NB MODELS

To correct a problem, answer the question in the appropriate troubleshooting chart either YES or NO. Refer to the number in that column and proceed to that step.

Use the wiring diagrams (see *Wiring Diagrams* section) to locate terminals, relays, etc. Figure 4-1 shows some of the control components for the NB model generator sets.

⚠WARNING *Many troubleshooting procedures present hazards which can result in severe personal injury, death, and/or equipment damage. Only qualified service personnel with knowledge of fuels, electricity, and machinery hazards should perform service procedures. Review safety precautions on inside cover page.*

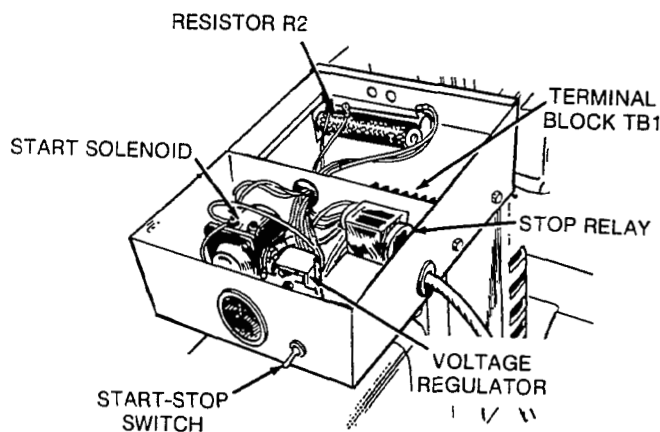


FIGURE 4-1. NB GENERATOR SET CONTROL

SC-1620

PROBLEM	SEE PAGE
A. Engine does not crank.	4-2
B. Engine cranks but does not start.	4-2
C. Engine starts but stops when start switch is released.	4-3
D. Generator set is running - then stops.	4-3
E. Low battery - no high charge rate.	4-4

A.	ENGINE DOES NOT CRANK	YES	NO
1.	Check battery. Are battery cables tight?	2	—
2.	Is battery voltage present between control TB1 terminal 3 and B+ terminal when start switch S1 is pushed to "START?"	4	3
	⚠WARNING <i>Batteries present the hazard of explosion, which can result in severe personal injury. Because batteries produce explosive gas, do not smoke or allow any arc-producing devices in the battery area.</i>		
3.	Replace start-stop switch S1.	—	—
4.	Is battery voltage present between start solenoid terminal S1 and ground when start switch S1 is pushed to "START?"	5	6
5.	Replace start solenoid K1 which is defective.	—	—
6.	Perform generator tests. See <i>Generator</i> section.	—	—
B.	ENGINE CRANKS BUT DOES NOT START	YES	NO
1.	Is battery voltage present between stop relay K2 terminal 5 and a good ground when start switch is pushed to "START?" (Open control cover.)	3	2
	⚠WARNING <i>Batteries present the hazard of explosion, which can result in severe personal injury. Because batteries produce explosive gas, do not smoke or allow any-arc producing devices in the battery area</i>		
2.	Check wiring to stop relay K2 and connections. Replace stop relay if necessary.	—	—
3.	Does unit have fuel solenoid?	4	6
4.	Does fuel solenoid operate when start switch is pressed to "START?"	6	5
5.	Check wires to fuel solenoid, check solenoid, and replace if necessary.	—	—
6.	Does generator set have an electric fuel pump?	7	9
7.	Remove fuel line from carburetor and momentarily jumper control positive terminal of ignition coil to battery positive post. Does fuel pulsate from fuel line?	9	8
	⚠WARNING <i>Fuel presents the hazard of fire or explosion which can cause severe personal injury or death. Do not permit any flame, spark, pilot light, cigarette, or other ignition source near the fuel system. Use extreme care during this test. Run fuel into a suitable container and make sure area is well-ventilated to prevent accumulation of explosive gasoline fumes. Keep an ABC type fire extinguisher near.</i>		

B.	ENGINE CRANKS BUT DOES NOT START	YES	NO
8.	Check wire lead to fuel pump, check fuel pump, and replace if necessary.	—	—
9	See the <i>Ignition System</i> section in the ENGINE portion of the Master Service Manual (922-0501).	—	—
C.	ENGINE STARTS BUT STOPS WHEN START SWITCH IS RELEASED	YES	NO
1.	Connect DC voltmeter to start solenoid relay K1 terminal S1, and to a good ground. Crank the engine until it starts, release start switch and note voltmeter. Did voltmeter indicate a voltage after start switch was released?	3	2
<div style="border: 1px solid black; padding: 2px; display: inline-block;">▲WARNING</div> Electrical shock can cause severe personal injury or death. Use extreme caution when working on electrical circuitry. Attach and remove meter leads only when generator set is not operating. Do not touch meter or meter leads during testing.			
2.	Check wire connections from generator to start solenoid K1 terminal S1. If OK, perform generator test (<i>Generator Troubleshooting and Procedures</i>).	—	—
3.	Check resistor R1 and resistor connections. Are they OK?	5	4
4.	Replace resistor or wire leads as necessary.	—	—
5.	Check reverse current diode CR1 for short or open, and diode connections. Replace if necessary.	—	—
D.	GENERATOR SET IS RUNNING-THEN STOPS	YES	NO
1.	Press start switch S1 to "START". Did engine start but stop when switch S1 is released?	1C	2
2.	Connect a DC voltmeter between stop relay K2 terminal 5 and a good ground. (Open control cover.) Is battery voltage present when start switch is pushed to "START?"	3B	3
3.	Jumper stop relay terminals 5 and 11. Crank the engine. Does engine start and run?	4	5
4.	Stop the engine. Jumper battery positive to stop relay K2 terminal 9. Does stop relay operate?	6	5
<div style="border: 1px solid black; padding: 2px; display: inline-block;">▲WARNING</div> Batteries present the hazard of explosion, which can result in severe personal injury. Because batteries produce explosive gas, do not smoke or allow any arc-producing devices in the battery area.			
5.	Replace stop relay K2.	—	—
6.	Check resistor R1 and resistor connections. Are they OK?	8	7
7.	Repair wire leads or replace resistor as necessary.	—	—
8.	Perform generator tests (<i>See Generator Troubleshooting and Procedures</i>).	—	—

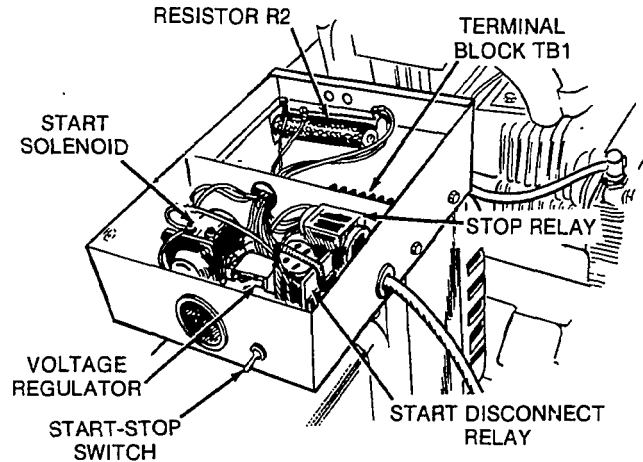
E.	LOW BATTERY - NO HIGH CHARGE RATE	YES	NO
1.	<p>Jumper two-step voltage regulator relay terminals "BAT" and "B". Start generator set. (Open control cover.) Does ammeter indicate higher charge rate?</p> <p>⚠WARNING <i>Batteries present the hazard of explosion, which can result in severe personal injury. Because batteries produce explosive gas, do not smoke or allow any arc-producing devices in the battery area.</i></p>	2	3
2.	Replace two-step voltage regulator relay K3.	—	—
3.	Check resistor R2, resistor connections, and replace if necessary.	—	—

MCKK (SPEC D) MODELS AND NH (SPEC A THROUGH C) MODELS

To correct a problem, answer the question in the appropriate troubleshooting chart either YES or NO. Refer to the number in that column and proceed to that step.

Use the wiring diagrams (see *Wiring Diagrams* section) to locate terminals, relays, etc. Figure 4-2 shows some of the control components for NH generator sets, Spec A through C.

▲WARNING Many troubleshooting procedures present hazards which can result in severe personal injury or death. Only qualified service personnel with knowledge of fuels, electricity, and machinery hazards should perform service procedures. Review safety precautions on inside cover page.



SC-1621

FIGURE 4-2. GENERATOR SET CONTROLS, MCKK (SPEC D), NH (SPEC A THROUGH C)

PROBLEM	SEE PAGE
A. Engine does not crank.	4-5
B. Engine cranks but does not start.	4-6
C. Engine starts but stops when start switch is released.	4-8
D. Engine is running - then stops.	4-8
E. Low battery - no charge rate.	4-8

A.	ENGINE DOES NOT CRANK	YES	NO
1.	Check battery. Are battery cables tight? ▲WARNING Batteries present the hazard of explosion, which can result in severe personal injury. Because batteries produce explosive gas, do not smoke or allow any arc-producing devices in the battery area.	2	—
2.	Connect a DC voltmeter between control terminal 3 and B+ terminal. (Open control cover.) Is battery voltage present when start switch is pushed to "START?" ▲WARNING Electrical shock can cause severe personal injury or death. Use extreme caution when working on electrical circuitry. Attach and remove meter leads only when generator set is not operating. Do not touch meter or meter leads during testing.	4	3
3.	Replace start-stop switch S1.	—	—

A.	ENGINE DOES NOT CRANK	YES	NO
4.	Connect the DC voltmeter between terminal 7 of the start disconnect relay assembly and battery B+ terminal. Is battery voltage present when start switch S1 is pushed to "START"?	6	5
5.	Replace start disconnect relay from start disconnect assembly.	—	—
6.	Connect the DC voltmeter to the start solenoid relay terminal S1 and to a good ground. Is battery voltage present when start switch is pushed to "START"?	8	7
7.	Replace start solenoid relay K1.	—	—
8.	Perform generator tests. See <i>Generator</i> section.	—	—
B.	ENGINE CRANKS BUT DOES NOT START	YES	NO
1.	<p>Connect a DC voltmeter between the control B+ terminal and terminal 9 of the start disconnect relay assembly. (Open control cover.) Is battery voltage present when start switch S1 is pushed to "START"?</p> <p>⚠WARNING <i>Electrical shock can cause severe personal injury or death. Use extreme caution when working on electrical circuitry. Attach and remove meter leads only when generator set is not operating. Do not touch meter or meter leads during testing.</i></p>	3	2
2.	Replace the start disconnect printed circuit board.	—	—
3.	Connect a DC voltmeter between control terminal 2 and 1. Is battery voltage present when the start switch is pushed to "START"?	7	4
4.	Check resistor R3 and resistor connections. Are they OK?	6	5
5.	Repair wire lead connections or replace resistor as required.	—	—
6.	Replace start disconnect relay K4.	—	—
7.	Is the unit an MCKK series generator set?	8	20
8.	Is the red button on the low oil pressure relay K5 out? (Wait at least one minute, then push in red button.)	9	11
9.	Check oil level. If okay, remove wire lead from low oil pressure switch S4 and push start switch. Does engine crank and run?	10	11
10.	<p>⚠WARNING <i>Operating the engine with inadequate oil and oil pressure can damage or destroy it. Make sure the engine has sufficient oil and oil pressure. Otherwise, engine damage will occur.</i></p> <p>Check for a grounded wire lead to the low oil pressure switch S4. Check low oil pressure switch S4 and resistor R4. Replace as necessary.</p>	—	—
11.	Connect the DC voltmeter to stop relay K2 terminal 5 and to a good ground. Is battery voltage present when start switch S1 is pushed to "START"?	13	12

B.	ENGINE CRANKS BUT DOES NOT START	YES	NO
12.	Check wiring to stop relay K2 and connections. Replace stop relay if necessary.	—	—
13.	Jumper resistor RT1 terminal with wire lead which goes to low oil pressure relay K5 and push start switch S1. Does engine crank and run?	14	15
	⚠WARNING <i>Electrical shock can cause severe personal injury or death. Use extreme caution when working on electrical circuitry. Attach and remove jumper leads only when generator set is not operating. Do not touch jumper leads during testing.</i>		
14.	Check low oil pressure relay K5 and replace if necessary.	—	—
15.	Jumper high water temperature switch S3 and push start switch. Does engine crank and run?	16	17
16.	Check high water temperature switch S3 and wiring. Replace as necessary.	—	—
17.	Does generator set have a fuel solenoid K6?	18	20
18.	Does fuel solenoid K6 operate when you push start switch S1 to "START"?	20	19
19.	Check wire to fuel solenoid, check fuel pump, and replace if necessary.	—	—
20.	Connect a DC voltmeter to the "+" terminal of the ignition coil and to a good ground. Is battery voltage present when the start switch S1 is pushed to "START"?	22	21
21.	Check wiring to stop relay K2 and connections. Replace stop relay if necessary.	—	—
22.	Does unit have a low oil pressure switch?	23	27
23.	Check oil level. If okay, remove wire lead from low oil pressure switch and push start switch. Does engine crank and run?	24	27
	⚠CAUTION <i>Operating the engine with inadequate oil and oil pressure can damage or destroy it. Make sure the engine has sufficient oil and oil pressure. Otherwise, engine damage will occur.</i>		
24.	Is wire lead from low pressure switch grounded?	25	26
25.	Repair or replace wire lead.	—	—
26.	Check low oil pressure switch and replace if necessary.	—	—
27.	Does unit have high air temperature switch?	28	32
28.	Remove wire lead from high air temperature switch and push start switch S1. (Do not let wire lead ground while disconnected). Does engine crank and run?	29	32
29.	Is wire lead from high air temperature switch grounded?	30	31
30.	Repair or replace wire lead.	—	—
31.	Check high air temperature switch and replace if necessary.	—	—
32.	Does generator set have an electric fuel pump?	33	35

B.	ENGINE CRANKS BUT DOES NOT START	YES	NO
33.	Remove fuel line from carburetor and jumper momentarily B+ to fuel pump. Does fuel pulsate from fuel line? ⚠WARNING <i>Fuel presents the hazard of fire or explosion which can cause severe personal injury or death. Do not permit any flame, spark, pilot light, cigarette, or other ignition source near the fuel system. Use extreme care during this test. Run fuel into a suitable container and make sure area is well-ventilated to prevent accumulation of explosive gasoline fumes. Keep an ABC type fire extinguisher nearby.</i>	35	34
34.	Check wire lead to fuel pump, check fuel pump and replace if necessary.	—	—
35.	See the <i>Ignition System</i> section in the ENGINE portion of the Master Service Manual (922-0501).	—	—
C.	ENGINE STARTS - BUT STOPS WHEN START SWITCH IS RELEASED	YES	NO
1.	Check resistor R2 and resistor connections in control (open cover). Are they OK?	3	2
2.	Replace resistor or wire leads as necessary.	—	—
3.	Check wire connections from generator to start solenoid K1 terminal S1. If OK, perform generator tests (see <i>Generator Troubleshooting and Procedures</i>).	—	—
D.	ENGINE IS RUNNING - THEN STOPS	YES	NO
1.	Check the unit for a high air temperature, high water temperature, or low oil pressure condition (if applicable) which would shut down the engine. If no safety shutdown occurred, connect a DC voltmeter to the "IGN" terminal of control terminal block TB1 (control cover open). Crank the engine. Does engine start? ⚠WARNING <i>Electrical shock can cause severe personal injury or death. Use extreme caution when working on electrical circuitry. Attach and remove meter leads only when generator set is not operating. Do not touch meter or meter leads during testing.</i>	2	1B
2.	Did engine keep running after start switch was released?	3	1C
3.	Recheck for high air temperature, low oil condition, etc., which may have occurred.	—	—
E.	LOW BATTERY - NO HIGH CHARGE RATE	YES	NO
1.	Jumper two-step voltage regulator relay terminals "BAT" and "B." (Open control cover.) Start generator set. Does ammeter indicate higher charge rate? ⚠WARNING <i>Batteries present the hazard of explosion, which can result in severe personal injury. Because batteries produce explosive gas, do not smoke or allow any arc-producing devices in the battery area.</i>	2	3
2.	Replace two-step voltage regulator relay K3.	—	—
3.	Check resistor R1 and resistor connection and replace if necessary.	—	—

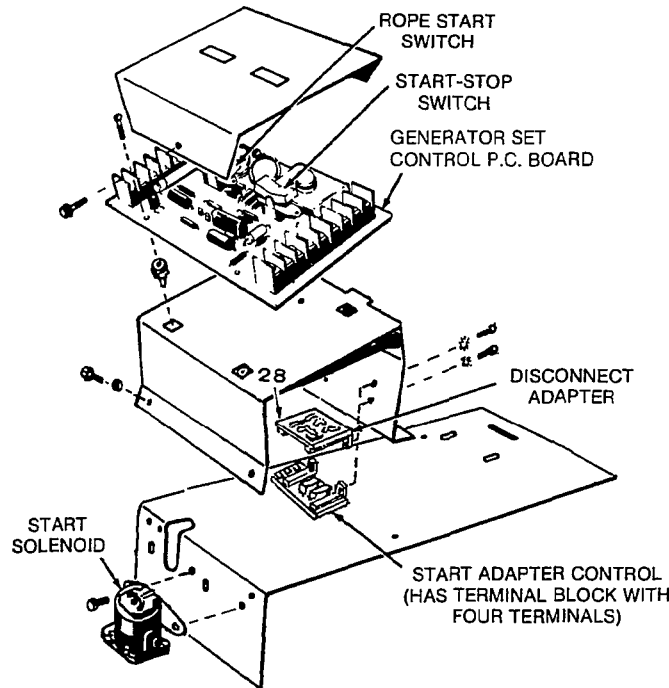
**CCK (SPEC R)
MCCK (BEGIN SPEC E), AND
NH (SPEC D THROUGH F) MODELS**

To correct a problem, answer the question in the appropriate troubleshooting either YES or NO. Refer to the number in that column and proceed to that step.

Use the wiring diagram (see *Wiring Diagrams* section) to locate terminals, relays, etc. Figure 4-3 shows some of the control components for NH generator sets, Spec D through F; CCK generator sets, Spec R; and MCCK generator sets, begin Spec E (except automatic-starting MCCK units, described under CONTROL-O-MATIC in Part III, Section 5 of the Onan Master Service Manual).



WARNING Many troubleshooting procedures present hazards which can result in severe personal injury, death, and/or equipment damage. Only qualified service personnel with knowledge of fuels, electricity, and machinery hazards should perform service procedures. Review safety precautions on inside cover page.



SC-1622

FIGURE 4-3. GENERATOR SET CONTROLS, CCK (SPEC R), MCCK (BEGIN SPEC E), NH (SPEC D THROUGH F)

PROBLEM	SEE PAGE
A. Engine does not crank.	4-10
B. Engine cranks but does not start.	4-11
C. Engine starts but stops when start switch is released.	4-12
D. Engine is running - then stops.	4-13
E. Low battery - no high charge rate.	4-13
F. Battery loses excess water.	4-13

A.	ENGINE DOES NOT CRANK	YES	NO
	<p>For generator sets with a three-wire start adapter printed circuit (P.C.) board (below the control P.C. board) and a remote start-stop station, perform start tests first from the generator set control. If the generator set starts using the generator set control, the problem lies in the three-wire adapter board or the remote switch. Check relay K2 of the adapter by jumping terminal 3 to ground. If the relay does not operate or its contacts do not close to energize the start circuit, replace the board.</p>		
1.	<p>Check battery. Are battery cables tight?</p> <p>⚠WARNING <i>Batteries present the hazard of explosion, which can result in severe personal injury. Because batteries produce explosive gas, do not smoke or allow any arc-producing devices in the battery area.</i></p>	2	—
2.	<p>Does generator set have a start disconnect adapter P.C. board below the generator set control assembly P.C. board (don't confuse this board with a three-wire adapter, P.C. board on some models which has a terminal block).</p> <p>⚠WARNING <i>For marine applications, be sure bilge blower has operated and time delay (if applicable) on start has completed. Otherwise, there is potential danger of explosion or fire from fuel vapors.</i></p>	3	5
3.	<p>Jumper between control terminal 16 and start solenoid terminal K1-S. Press start switch A1S1. Does engine crank?</p>	4	5
4.	<p>Replace start disconnect adapter P.C. board.</p>	—	—
5.	<p>Push "Hand Crank" ELECTRIC (called "ROPE START" or "NONFUNCTIONAL" on some models) switch A1S1. Is battery voltage present between control terminal 6 and ground?</p>	9	6
6.	<p>Remove control cover and jumper terminal 5 to terminal 6. Is battery voltage present between terminal 6 and ground?</p> <p>⚠WARNING <i>Electrical shock can cause severe personal injury or death. Use extreme caution when working on electrical circuitry. Attach and remove meter leads only when generator set is not operating. Do not touch meter or meter leads during testing.</i></p>	7	8
7.	<p>Replace switch A1S1.</p>	—	—
8.	<p>Check battery cables for correct polarity. Replace fuse F1 with a 9-ampere, in-line fuse. Push start switch A1S2.</p>	-	9
9.	<p>With start switch A1S2 depressed, is at least 8 volts present from terminal 9 to ground?</p>	10	14
10.	<p>Jumper solenoid coil terminal S to battery. Does start solenoid K1 operate?</p>	11	12

A.	ENGINE DOES NOT CRANK	YES	NO
11.	Is battery voltage present from right-hand terminal of start solenoid to ground when start solenoid is energized?	13	12
12.	Start solenoid is defective and must be replaced.	—	—
13.	Perform generator tests. See <i>Generator</i> section.	—	—
14.	Is voltage present from terminal 15, 17, or 18 to ground?	17	15
15.	With start switch A1S2 depressed, jumper terminal 5 to terminal 15, 17 or 18. Does engine crank and start?	16	17
16.	Remove control P.C. board. Replace A1F2 fuse path with a one-inch (25 mm) length of number 22 wire. Solder in place through holes provided.	—	—
17.	Jumper control terminal 5 to 16. Does engine crank?	18	19
18.	Replace start switch A1S2.	—	—
19.	With start switch A1S2 depressed, jumper control terminals 9 to 16. Does engine crank?	20	—
20.	Check transistor A1Q2. If defective, replace control P.C. board.	—	—
B.	ENGINE CRANKS BUT DOES NOT START	YES	NO
1.	Is battery voltage present between control terminal 6 and ground when start switch A1S2 is depressed?	4	2
<p>⚠WARNING <i>Electrical shock can cause severe personal injury or death. Use extreme caution when working on electrical circuitry. Attach and remove meter leads only when generator set is not operating. Do not touch meter or meter leads during testing.</i></p>			
2.	Is battery voltage present between control terminal 6 and ground when switch A1S1 is depressed?	3	—
3.	Faulty switch A1S1 or diode A1CR1. Replace control P.C. board.	—	—
4.	Is operation with gasoline?	9	5
5.	Does gaseous fuel solenoid operate when switch A1S1 is pressed?	15	6
6.	Jumper terminal "VALVE" of gaseous vacuum switch (on intake manifold) to control terminal 6. Does fuel solenoid operate when switch A1S1 is pressed?	7	8
7.	Check wire leads to vacuum switch, check switch and replace if necessary.	—	—
8.	Check wire leads to gaseous fuel solenoid, check solenoid and replace if necessary.	—	—
9.	Does generator set have an electric fuel pump?	10	15
10.	Does generator set have a gasoline shutoff solenoid?	11	13
11.	Fuel solenoid must open during cranking and running. Remove the fuel line from carburetor and push switch A1S1. Does fuel pulsate from fuel line?	15	12

B.	ENGINE CRANKS BUT DOES NOT START	YES	NO
	<p>▲WARNING <i>Fuel presents the hazard of fire or explosion which can cause severe personal injury or death. Do not permit any flame, spark, pilot light, cigarette, or other ignition source near the fuel system. Use extreme care during this test. Run fuel into a suitable container and make sure area is well-ventilated to prevent accumulation of explosive gasoline fumes. Keep an ABC type fire extinguisher nearby.</i></p>		
12.	Remove the fuel solenoid from the fuel line. Push switch A1S1. Does fuel pulsate from the line?	14	13
13.	Check wire lead to fuel pump, check fuel pump and replace if necessary.	—	—
14.	Check wire leads to gasoline solenoid, check solenoid and replace if necessary.	—	—
15.	Check oil level. If okay, remove wire lead for low oil pressure switch S1 from control terminal 4 and push start switch A1S2. Does engine crank and run?	16	19
	<p>▲CAUTION <i>Operating the engine with inadequate oil and oil pressure can damage or destroy it. Make sure the engine has sufficient oil and oil pressure. Otherwise, engine damage will occur.</i></p>		
16.	Is wire lead from low oil pressure switch grounded?	17	18
17.	Repair or replace wire lead.	—	—
18.	Check low oil pressure switch S1 and replace if necessary.	—	—
19.	Is unit water-cooled and does it have a high water temperature switch?	20	22
20.	Jumper across high water temperature switch and push start switch A1S2. Does engine crank and run?	21	27
21.	Check high water temperature switch and replace if necessary.	—	—
22.	Is unit air cooled and have a high air temperature switch?	23	27
23.	Remove wire lead from high air temperature switch from control terminal 3 and push start switch A1S2. Does engine crank and run?	24	27
24.	Is wire lead from high air temperature switch grounded?	25	26
25.	Repair or replace wire lead.	—	—
26.	Check high air temperature switch and replace if necessary.	—	—
27.	See the <i>Ignition System</i> section.	—	—
C.	ENGINE STARTS BUT STOPS WHEN START SWITCH IS RELEASED	YES	NO
1.	Connect voltmeter from control terminal 8 to ground. Crank engine. Is there DC voltage output from generator?	3	2
	<p>▲WARNING <i>Electrical shock can cause severe personal injury or death. Use extreme caution when working on electrical circuitry. Attach and remove meter leads only when generator set is not operating. Do not touch meter or meter leads during testing.</i></p>		

C.	ENGINE STARTS BUT STOPS WHEN START SWITCH IS RELEASED	YES	NO
2.	Check resistor G1R11 and all resistor connections.	—	—
3.	Is voltage present from terminal 6 to ground after engine starts and start switch A1S2 is released?	—	4
4.	Replace control P.C. board.	—	—
D.	ENGINE IS RUNNING - THEN STOPS	YES	NO
1.	Check the unit for a high air temperature, high water temperature or low oil condition (if applicable) which would shut down unit. If no safety shutdown occurred, connect a DC voltmeter from control terminal 8 to ground. Crank the engine. Is there generator DC output voltage?	1B	2
2.	Check resistor G1R11 and all resistor connections. If OK, perform generator tests (<i>Generator Troubleshooting and Procedures</i>).	—	—
E.	LOW BATTERY - NO HIGH CHARGE RATE	YES	NO
1.	Remove wire lead from fuse F1 to control terminal 5. Connect DC ammeter between wire lead and terminal 5. Start generator set. Is high battery charge rate present (over 3 amperes)?	2	3
2.	Measure battery terminal voltage with voltmeter (one percent accuracy or better). Does voltage rise to 14 volts or more? ⚠WARNING <i>Batteries present the hazard of explosion, which can result in severe personal injury. Because batteries produce explosive gas, do not smoke or allow any arc-producing devices in the battery area.</i> ⚠WARNING <i>Electrical shock can cause severe personal injury or death. Use extreme caution when working on electrical circuitry. Attach and remove meter leads only when generator set is not operating. Do not touch meter or meter leads during testing.</i>	4	3
3.	Remove control cover and jumper control terminals 7 and 8. Does charge rate increase?	6	5
4.	Check battery and replace if necessary.	—	—
5.	Stop generator set. Check wire leads to charge resistor G1R1. Check resistor and replace if necessary.	—	—
6.	Replace control P.C. board.	—	—
F.	BATTERY LOSES EXCESS WATER	YES	NO
1.	Connect a voltmeter (one percent accuracy or better) to battery terminals, start and run generator set for 30 minutes. Does battery terminal voltage exceed: a. 14 volts at 100°F (38°C) or above; or b. 15 volts at 50 to 100°F (10 to 38°C); or c. 16 volts at 50°F (10°C) or below? ⚠WARNING <i>Electrical shock can cause severe personal injury or death. Use extreme caution when working on electrical circuitry. Attach and remove meter leads only when generator set is not operating. Do not touch meter or meter leads during testing.</i>	2	—
2.	Replace control P.C. board.	—	—

GENERAL CONTROL P.C. BOARD PROBLEMS AND SYMPTOMS

SYMPTOM: Engine won't start and electric fuel pump won't work unless hand crank switch A1S1 is pushed during cranking. Engine runs okay after starting with hand crank switch.

PROBLEM: Diode A1CR1 is destroyed through accidental grounding of terminal 6 or the leads supplying current to the ignition coil, electric fuel pump or fuel solenoid when start switch closes.

SOLUTION: To prevent future failure of diode A1CR1 on units without 9-ampere fuse on terminal 5, add in-line fuse package #321-0212. Refer to Product Support Bulletin #57.

SYMPTOM: Engine stops running as soon as start switch is released.

PROBLEM: Diode A1CR2 is destroyed through accidental grounding of terminal 6 or the leads supplying current to the ignition coil, electric fuel pump or fuel solenoid, while engine is running.

SOLUTION: To prevent future failure of diode A1CR2 on units without 9-ampere fuse on terminal 5, add inline fuse package #321-0212. Refer to Product Support Bulletin #57. The fuse does not protect A1CR2, but will blow during cranking if terminal 6 is grounded.

SYMPTOM: Start solenoid will not energize (check for faulty solenoid before checking following).

1. **PROBLEM:** Diode A1CR4 may be burned out if battery connections are accidentally reversed on units not protected by 9-ampere fuse F1 on terminal 5.

SOLUTION: To prevent future failure of diode A1CR4 on units without 9-ampere fuse on terminal 5, add inline fuse package #321-0212. Refer to Product Support Bulletin #57.

2. **PROBLEM:** Accidental reverse battery connection to units not protected by in-line fuse package #321-0212 may damage diode A1CR5.

SOLUTION: To prevent future failure of diode A1CR5 on units without 9-ampere fuse on terminal 5, add in-line fuse package #321-0212. Refer to Product Support Bulletin #57.

Controls Without Start Disconnect Adapter

SYMPTOM: Start solenoid won't energize.

PROBLEM: On units without 9-ampere fuse on terminal 5, accidental grounding of terminal 9 or reverse battery connections may damage transistor A1Q2.

SOLUTION: To prevent future failure of transistor A1Q2, on units without 9-ampere in-line fuse on terminal 5, install in-line fuse package #321-0212. Refer to Product Support Bulletin #57.

SYMPTOM: Engine cranks but will not start (no battery voltage at terminal 6).

PROBLEM: A short circuit or accidental ground on terminal 6 may burn the copper path from terminal 6 to A1S1 when start switch is pushed and/or burn the copper path from terminal 5 to A1S1 if handcrank switch is pushed.

SOLUTION: To prevent future burning of copper path, on units not having 9-ampere fuse on terminal 5, add in-line fuse package #321-0212. Refer to Product Support Bulletin #57.

SYMPTOMS: 1. Engine won't crank. F1 or A1F2 open.
2. Remote running time meter or generating lamp won't work. A1F3 fuse open.

PROBLEM: On units not having a 9-ampere fuse protection on terminal 5, customer wiring errors including reverse battery connections, causes A1F2 and A1F3 to blow.

SOLUTION: F1-On units not having a 9-ampere in-line, F1 fuse protection, solder a wire in place of A1F1 fuse link on printed circuit board (wire size not important). Add in-line fuse package #321-0212. Refer to Product Support Bulletin #57.

GENERAL CONTROL P.C. BOARD PROBLEMS AND SYMPTOMS (Continued)

A1F2-On units not having a 9-ampere fuse protection on terminal 5, install insulated jumper wire from TB2-18 to TB1-5. Add in-line fuse package #321-0212. Refer to Product Support Bulletin #57.

A1F3-Connect bypass fuse assembly #321-0210 between TB1-2 and TB2-10. Refer to Product Support Bulletin #40.

SYMPTOM: Engine won't stop on low oil pressure or may not stop with stop watch.

PROBLEM: Customer wiring errors which place battery voltage on terminal 14 destroys diode A1CR8 and/or copper path from terminal 4 through switch A1S2 and A1CR8 (may also destroy copper path from terminal 1 to 14).

SOLUTION: Correct the problem (wiring, etc.). To prevent future failure of diode A1CR8 or burnt copper paths, install in-line fuse package #321-0212. Older units having fuse link A1F1 on the printed circuit board may also have blown. Replace A1F1 fuse link with jumper wire.

SYMPTOM: Engine won't stop with stop switch pushed or from low oil pressure.

PROBLEM: On units without 9-ampere fuse on terminal 5, accidental connection of battery positive voltage from terminal 15 or 16 to terminal 14, burns one of the following copper paths.

Path from terminal 1 to 14.
Path from terminal 4 to switch A1S1.
Path from terminal 12 to switch A1S1.
Path from terminal 14 to diode A1CR8.

SOLUTION: To prevent future burning out of copper paths, on units without 9-ampere fuse on terminal 5, add the in-line fuse package #321-0212. Refer to Product Support Bulletin #57.

SYMPTOMS: Excessive current overheats and destroys diode A1CR10 and copper path from A1CR10 to terminal 2.

PROBLEM: There are three known causes of excessive currents which may cause this problem.

1. Reverse battery connections on units not having the 9-ampere in-line fuse F1 and diode A1CR11 protection.
2. Improper transfer switch that may connect AC utility power to the generator output while transferring from utility to generator power. See Product Support Bulletin #58.
3. Starting solenoid chatter or sticking solenoid at high cranking current causes current surges beyond the thermal capability of diode A1CR10.

SOLUTION: To prevent future failure of diode A1CR10 on units without a 9-ampere fuse on terminal 5 for symptoms 1 and 2 above, add in-line fuse package #321-0212. Refer to Product Support Bulletins #57 and #58.

To prevent future failure of diode A1CR10 due to start solenoid chatter or sticking for symptom 3 on units without a start disconnect adapter, add a start disconnect package #300-1231.

PROBLEM: A1S1 push button and A1S1 spring can snap off if care is not used in removing cover.

SOLUTION: Install cover and switch repair package (part #300-1232) which contains all necessary hardware and parts to repair a missing switch push button or spring. This means it is not necessary to replace the complete printed circuit board unless the entire switch itself becomes broken. In order to prevent either problem, exercise greater care when removing the printed circuit board cover. Refer to Product Support Bulletin #57.

Corroded or burned printed circuit parts can and should be repaired by soldering a piece of #20 gauge or larger insulated wire between soldered connections on the printed circuit board. Soldering on the printed circuit paths themselves on the bottom of the board is difficult and should be avoided.

In some cases a jumper wire can be connected between terminals on the terminal strips.

**BF, CCK (BEGIN SPEC U),
LK (BEGIN SPEC M), AND
NH (BEGIN SPEC J) MODELS**

To correct a problem, answer the question in the appropriate troubleshooting chart either YES or NO. Refer to the number in that column and proceed to that step.

Use the wiring diagrams (see *Wiring Diagrams* section) to locate terminals, relays, etc. Figure 4-4 shows some of the control components for these generator sets.

▲WARNING *Many troubleshooting procedures present hazards which can result in severe personal injury, death, and/or equipment damage. Only qualified service personnel with knowledge of fuels, electricity, and machinery hazards should perform service procedures. Review safety precautions on inside cover page.*

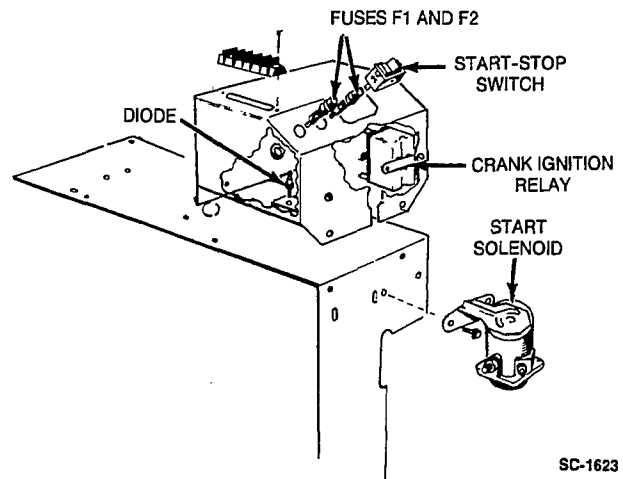


FIGURE 4-4. GENERATOR SET CONTROLS, BF, CCK (BEGIN SPEC U), LK (BEGIN SPEC M), NH (BEGIN SPEC J)

PROBLEM	SEE PAGE
A. Engine does not crank.	4-16
B. Engine cranks but does not start.	4-17
C. Engine starts but stops when start switch is released.	4-18
D. Engine is running - then stops.	4-18
E. Low battery - no charge rate.	4-18
F. Running time meter inoperative.	4-18
G. Battery condition meter inoperative.	4-19

A.	ENGINE DOES NOT CRANK	YES	NO
1.	Check battery. Are battery cables tight? ▲WARNING <i>Batteries present the hazard of explosion, which can result in severe personal injury. Because batteries produce explosive gas, do not smoke or allow any arc-producing devices in the battery area.</i>	2	—
2.	Is battery voltage present between control terminal 3 and 5 when switch S1 is pushed to "START?" ▲WARNING <i>Electrical shock can cause severe personal injury or death. Use extreme caution when working on electrical circuitry. Attach and remove meter leads only when generator set is not operating. Do not touch meter or meter leads during testing.</i>	4	3

A.	ENGINE DOES NOT CRANK	YES	NO
3.	Replace start-stop switch S1.	—	—
4.	Is battery voltage present between start solenoid K1 terminal S1 and ground when start switch is pushed to "START?"	6	5
5.	Replace start solenoid.	—	—
6.	Perform generator tests. See <i>Generator</i> section.	—	—
B.	ENGINE CRANKS BUT DOES NOT START	YES	NO
1.	Is battery voltage present at control terminal 6 and ground when start switch S1 is pushed to "START?"	5	2
2.	Is fuse F2 in circuit to control terminal 6 "blown?"	3	4
3.	Replace fuse.	—	—
4.	Make sure Faston terminals are making good connections. If OK, replace defective start solenoid on 4.0 BF (Spec A) or crank ignition relay K2 on 2.5 LK (Spec M), 4.0 BF (Spec B), CCK (Spec U), and NH (Spec J).	—	—
5.	Fuel solenoid must open during cranking and running. Remove the fuel line from carburetor and momentarily jumper control terminal 5 to 6. Does fuel pulsate from fuel line?	7	6
<p>⚠WARNING <i>Fuel presents the hazard of fire or explosion which can cause severe personal injury or death. Do not permit any flame, spark, pilot light, cigarette, or other ignition source near the fuel system. Use extreme care during this test. Run fuel into a suitable container and make sure area is well-ventilated to prevent accumulation of explosive gasoline fumes. Keep an ABC type fire extinguisher nearby.</i></p>			
6.	Check wire lead to fuel pump. Check fuel pump and replace if necessary.	—	—
7.	Does engine have oil pump and full pressure lubrication?	8	12
8.	Check oil level. If okay, remove wire lead from low oil pressure switch and push start switch. Does engine crank and run?	9	12
<p>⚠CAUTION <i>Operating the engine with inadequate oil and oil pressure can damage or destroy it. Make sure the engine has sufficient oil and oil pressure. Otherwise, engine damage will occur.</i></p>			
9.	Is wire lead from low oil pressure switch grounded?	10	11
10.	Repair or replace wire lead.	—	—
11.	Check low oil pressure switch and replace if necessary.	—	—
12.	Does unit have a high air temperature switch?	13	17

B.	ENGINE CRANKS BUT DOES NOT START	YES	NO
13.	Remove wire lead from high air temperature switch and push start switch S1 (do not let wire lead ground while disconnected). Does engine crank and run?	14	17
14.	Is wire lead from high air temperature switch grounded.?	15	16
15.	Repair or replace wire lead.	—	—
16.	Check high air temperature switch and replace if necessary	—	—
17.	See the <i>Ignition System</i> section.	—	—
C.	ENGINE STARTS BUT STOPS WHEN START SWITCH IS RELEASED	YES	NO
1.	Connect DC voltmeter from control terminal 6 to ground. Crank engine. Is there DC voltage output from generator (fuse F2 should be OK if unit started initially)? ⚠WARNING <i>Electrical shock can cause severe personal injury or death. Use extreme caution when working on electrical circuitry. Attach and remove meter leads only when generator set is not operating. Do not touch meter or meter leads during testing.</i>	—	2
2.	Check resistor R1 and resistor connections. If OK, perform generator tests (see <i>Generator Troubleshooting and Procedures</i>).	—	—
D.	ENGINE IS RUNNING - THEN STOPS	YES	NO
1.	Check the unit for a high air temperature, or high water temperature (whichever applies) or low oil pressure condition which would shut down the engine. If no safety shutdown has occurred, connect a DC voltmeter from control terminal 6 to ground. Crank the engine. Is there DC generator output voltage?	1B	2
2.	Is fuse F2 in circuit to control terminal 6 "blown"?	3	4
3.	Replace fuse.	—	—
4.	Check resistor R1 and all resistor connections. If OK, perform generator tests. See <i>Generator Troubleshooting and Procedures</i> .	—	—
E.	LOW BATTERY - NO CHARGE RATE	YES	NO
1.	Is reverse current diode CR1 shorted or open?	2	3
2.	Replace diode.	—	—
3.	Check wiring from diode CR1 to start solenoid and to battery.	—	—
F.	RUNNING TIME METER INOPERATIVE	YES	NO
1.	Check wires between control terminal 6 and battery positive terminal for running time meter, and ground wire and connection to meter. Does this correct the problem?	—	2
2.	Replace defective running time meter.	—	—

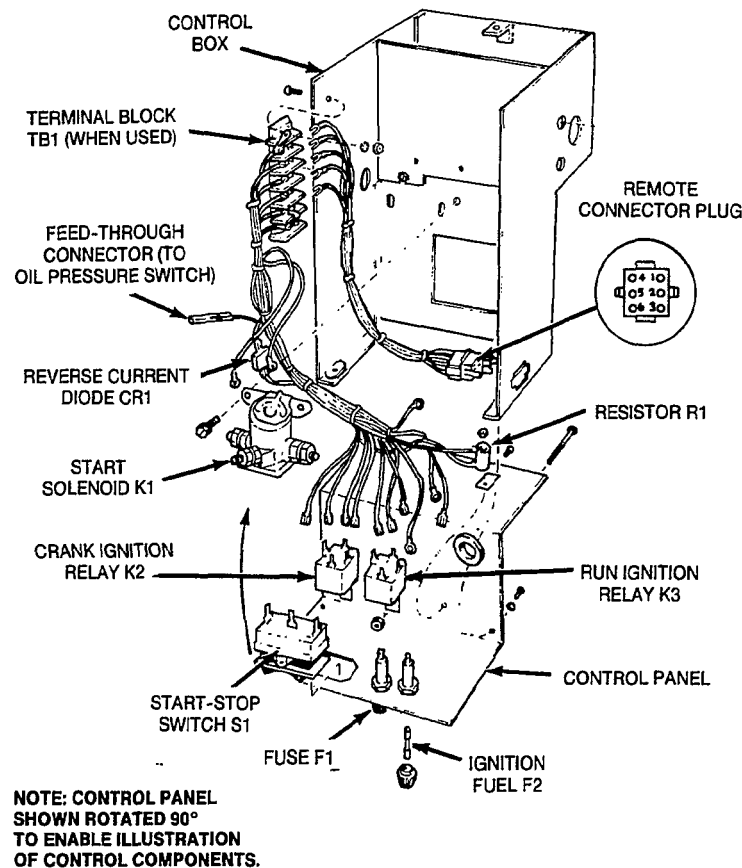
G.	BATTERY CONDITION METER INOPERATIVE	YES	NO
1.	Is fuse F1 "blown?"	2	3
2.	Replace fuse with equivalent type fuse.	—	—
3.	Check wires between control terminal 5 and battery positive terminal for battery condition meter terminal and ground wire and connection to meter. Does this correct problem?	—	4
4.	Replace defective battery condition meter.	—	—

BFA, BGA, AND NH (SPEC K) MODELS

To correct a problem, answer the question in the appropriate troubleshooting chart either YES or NO. Refer to the number in this column and proceed to that step.

Use the wiring diagrams (see *Wiring Diagrams* section) for location of terminals, relays etc. Figure 4-5 shows some of the control components for the generator sets.

⚠ WARNING Many troubleshooting procedures present hazards which can result in severe equipment damage. Only qualified service personnel with knowledge of fuels, electricity, and machinery hazards should perform service procedures. Review safety precautions on inside cover page.



SC-1624

FIGURE 4-5. GENERATOR SET CONTROLS, BFA, BGA, NH (SPEC K)

PROBLEM	SEE PAGE
A. Engine does not crank.	4-21
B. Engine cranks but does not start.	4-21
C. Engine starts but stops when start switch is released.	4-22
D. Engine is running - then stops.	4-22
E. Low battery - no charge rate.	4-22
F. Running time meter inoperative.	4-23
G. Battery condition meter inoperative.	4-23

A.	ENGINE DOES NOT CRANK	YES	NO
1.	Check battery. Are battery cables tight? ⚠WARNING <i>Batteries present the hazard of explosion, which can result in severe personal injury. Because batteries produce explosive gas, do not smoke or allow any arc-producing devices in the battery area.</i>	2	—
2.	Is battery voltage present between control remote connector plug terminals 3 and 5 (or between TB1-3 and TB1-5 where applicable) when start-stop switch S1 is pushed to "START?" (See drawing of connector plug in Figure D.) ⚠WARNING <i>Electrical shock can cause severe personal injury or death. Use extreme caution when working on electrical circuitry. Attach and remove meter leads only when generator set is not operating. Do not touch meter or meter leads during testing.</i>	4	3
3.	Replace start-stop switch S1.	—	—
4.	Is battery voltage present between start solenoid K1 terminal S1 and ground when start switch is pushed to "ON?"	6	5
5.	Replace start solenoid.	—	—
6.	Perform generator tests. See <i>Generator</i> section.	—	—
B.	ENGINE CRANKS BUT DOES NOT START	YES	NO
1.	Is 5-ampere fuse F2 blown?	2	3
2.	Replace fuse.	—	—
3.	Is battery voltage present between control remote connector plug terminal 6 (or terminal TB1-6 where applicable) and ground when start-stop switch S1 is pushed to "START?" (Figure D shows locations of connector plug terminals.)	5	4
4.	Make sure Faston terminals are making good connections to crank ignition relay K2. If OK, replace crank ignition relay.	—	—
5.	Disconnect B+ wire from ignition coil. Remove the fuel line from the carburetor, connect a flexible hose long enough to run fuel in a suitable container. Momentarily push start-stop switch to "START." Does fuel pulsate into container? (Reconnect line and wire to ignition coil after test.) ⚠WARNING <i>Fuel presents the hazard of fire or explosion which can cause severe personal injury or death. Do not permit any flame, spark, pilot light, cigarette, or other ignition source near the fuel system. Use extreme care during this test. Run fuel into a suitable container and make sure area is well-ventilated to prevent accumulation of explosive gasoline fumes. Keep an ABC type fire extinguisher nearby.</i>	7	6

B.	ENGINE CRANKS BUT DOES NOT START	YES	NO
6.	Check lead to fuel pump. Check fuel element to see if it needs cleaning. Replace fuel pump if necessary.	—	—
7.	See the <i>Ignition System</i> section.	—	—
C.	ENGINE STARTS BUT STOPS WHEN START SWITCH IS RELEASED	YES	NO
1.	Is engine oil level OK?	3	2
2.	Add oil as needed.	—	—
3.	Remove cover from control assembly. Are resistor R1 (120-ohm) and resistor connections OK (located near bottom of control)?	5	4
4.	Remedy or replace as needed.	—	—
5.	If oil level was OK in Step 1, pull apart feed-through connector (shown in Figure 4-5) in control from run ignition relay K3 and connect lead from K3 to a good ground. Push start switch. Does engine crank and run?	6	7
	▲CAUTION <i>Operating the engine with inadequate oil and oil pressure can damage or destroy it. Make sure the engine has sufficient oil and oil pressure. Otherwise, engine damage will occur.</i>		
6.	Stop engine and reconnect feed-through connector. Check low oil pressure switch, check lead to low oil pressure switch and repair or replace as needed.	—	—
7.	Reconnect feed-through connector in control, jumper remote connector plug terminals 5 and 6 (or terminals TB1-5 and TB1-6 if applicable), and push start switch S1 to "START" (fuse F1 must be OK for this test). Does engine crank and run? (Figure 4-5 shows locations of connector plug terminals.)	8	—
8.	With engine running, is there 12 VDC from remote connector plug terminal 2 (or terminal block terminal TB1-2) to ground?	9	10
9.	Replace run ignition relay K3.	—	—
10.	See <i>Generator Troubleshooting and Procedures</i> .	—	—
D.	GENERATOR SET IS RUNNING—THEN STOPS	YES	NO
1.	Is there fuel in the fuel tank?	2	—
2.	Does engine have a low oil level (pressure) condition?	3	4
3.	Refill oil to proper oil level.	—	—
4.	See "ENGINE STARTS BUT STOPS WHEN START SWITCH IS RELEASED" in <i>Troubleshooting</i> .	—	—
E.	LOW BATTERY—NO CHARGE RATE	YES	NO
1.	Is reverse current diode CR1 shorted or open?	2	3
2.	Replace diode.	—	—
3.	Is wiring from reverse current diode to battery OK?	5	4
4.	Remedy as necessary.	—	—

E.	LOW BATTERY—NO CHARGE RATE	YES	NO
7.	Remove wrapper from around the generator. Is resistor R2 and are resistor connections OK?	7	6
6.	Remedy or replace as necessary.	—	—
7.	See <i>Generator Troubleshooting and Procedures</i> .	—	—
F.	RUNNING TIME METER INOPERATIVE	YES	NO
1.	Check wires between control remote connector plug terminal 6 (or TB1-6 where applicable) and battery positive terminal for running time meter, and ground wire and connection to meter. Does this correct problem? (Figure 4-5 shows locations of connector plug terminals.)	—	2
2.	Replace defective running time meter.	—	—
G.	BATTERY CONDITION METER INOPERATIVE	YES	NO
1.	Is fuse F1 "blown?"	2	3
2.	Replace fuse with equivalent type fuse.	—	—
3.	Check wires between control remote connector plug terminal 5 (or TB1-5 where applicable) and battery positive terminal for battery condition meter terminal and ground wire and connection to meter. Does this correct problem? (Figure 4-5 shows locations of connector plug terminals.)	—	4
4.	Replace defective battery condition meter.	—	—



Section 5. Power Drawer Models

GENERATOR DISASSEMBLY

The generator used in the Power Drawer genset normally needs little care, other than a periodic check of the brushes and collector rings. If a major repair is necessary, have the genset checked and tested by an Onan service technician or a qualified electrician.

⚠WARNING *Many troubleshooting procedures present hazards which can result in severe personal injury, death, and/or equipment damage. Only qualified service personnel with knowledge of fuels, electricity, and machinery hazards should perform service procedures. Review safety precautions on inside cover page.*

1. Remove the unit from its slide rails.
2. Remove all accessories attached to the generator.
3. Tag and remove all leads.
4. Loosen and lift out both brush rigs (Figure 5-1).

⚠CAUTION *The brushes will be damaged during disassembly if not held off the slip rings. Use extreme care when removing the brush rigs.*

5. Remove four generator through-stud nuts.
6. Lift or pull the end bell from the frame assembly. Do not pry it loose with a screwdriver; rather, tap around the edges of the end bell with a plastic hammer to loosen it.

⚠CAUTION *Striking the end bell or other generator parts can damage or destroy them. Use extreme care while tapping the edges of the end bell to loosen it.*

7. Remove the frame (field) assembly, being careful not to let it rest or drag on the armature.

⚠CAUTION *The generator will overheat if it is reassembled incorrectly. Four seals are used between the frame (field) assembly and engine-to-generator adapter. These seals must be used to reassemble the generator correctly.*

8. Insert a square 3/8 inch drive into the 12-point (internal wrenching) armature holddown nut to remove it.
9. While pulling outward with one hand under the armature, strike a sharp blow on the end of the armature shaft to loosen the armature. The armature has an internal taper which fits onto the external taper of the engine adapter. If the armature does not come loose, place a heavy brass rod on the armature shaft near the ball bearing and strike a sharp downward blow on the rod with a hammer. Rotate the armature 1/2 turn before repeating.

⚠CAUTION *Striking the collector rings or bearing can severely damage or destroy them. Use extreme care when performing the procedure described above.*

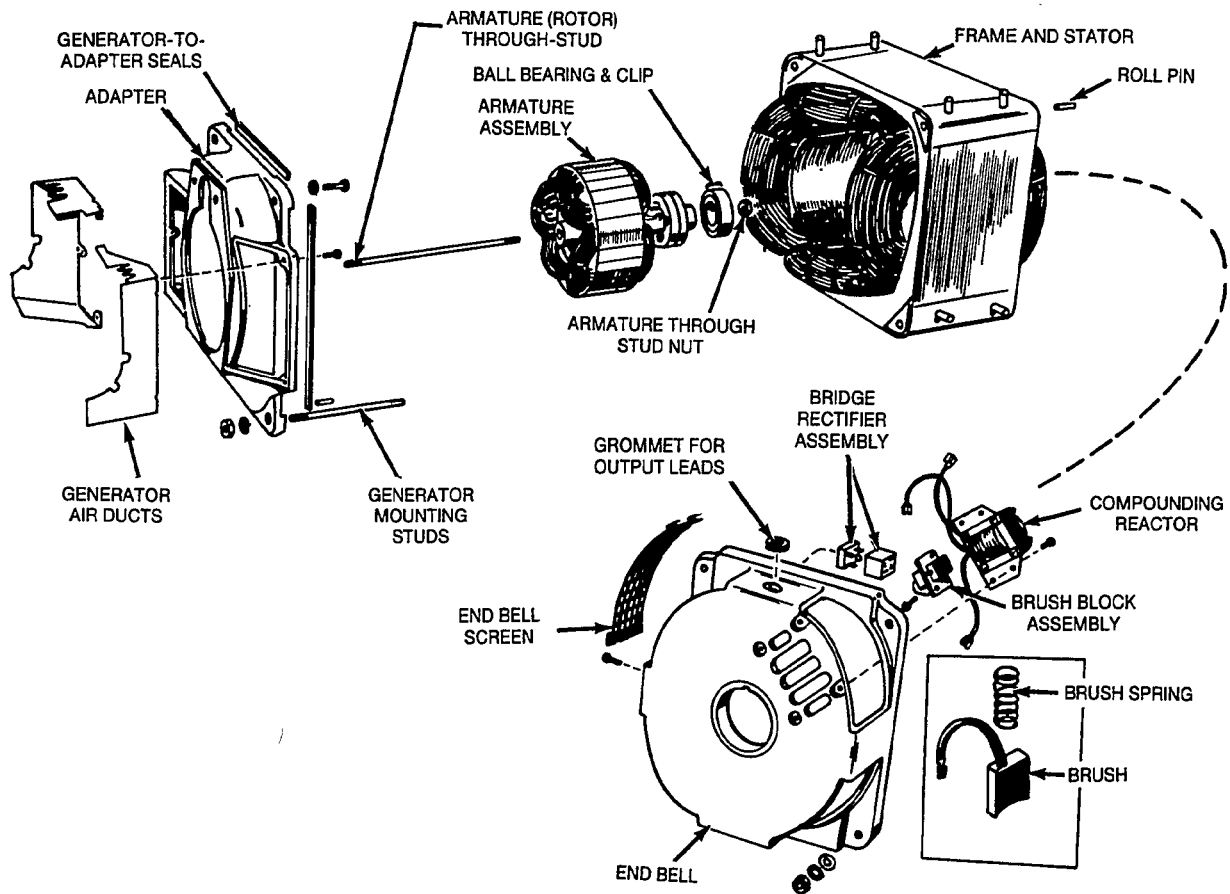


FIGURE 5-1. EXPLODED VIEW OF AC GENERATOR

G-1219

GENERATOR TROUBLESHOOTING GUIDE

▲WARNING Many troubleshooting procedures present hazards which can result in severe personal injury or death. Only qualified service personnel with knowledge of fuels, electricity, and machinery hazards should perform service procedures. Review safety precautions on inside cover page.

▲WARNING Fuel presents the hazard of fire or explosion which can cause severe personal injury or death. Do not permit any flame, spark, pilot light, cigarette, or other ignition source near the fuel system. Keep an ABC type fire extinguisher nearby.

▲WARNING Arcing or inadvertent starting of the generator set can cause damage to the generator set, severe personal injury, or death. For this reason, disconnect the negative (-) battery cable before beginning these procedures, and do not reconnect the negative (-) battery cable until these procedures are complete.

▲WARNING Electrical shock can cause severe personal injury or death. Use extreme caution when working on electrical circuitry. Attach and remove meter leads only when generator set is not operating. Do not touch meter or meter leads during testing.

▲CAUTION The brushes are easily damaged during genset disassembly/assembly. Use extreme care while installing/removing the genset brushes.

▲CAUTION Continuous generator set overloading can cause high operating temperatures that could damage the generator windings. Keep the load within the nameplate rating.

TROUBLE	POSSIBLE CAUSE	CORRECTIVE ACTION
NO AC OUTPUT VOLTAGE	1. Blown fuse or circuit breaker.	1. Look for cause and repair. Then replace fuse or reset circuit breaker.
	2. Disconnected wire or lead on brushes, bridge rectifier or reactor assembly.	2. Reconnect wire or wires.
	3. Brushes not making contact with collector ring.	3. Check brush springs for free movement or brushes which may be excessively worn.
	4. Open, grounded or short circuit in field or armature winding.	4. Test with tester or ohmmeter and replace if defective.
	5. Defective bridge rectifier assembly.	5. Test with ohmmeter and replace if defective.
	6. Bridge rectifier assembly installed wrong in its case.	6. Reinstall making sure marks on case and rectifier match.
LIGHTS FLICKER INTERMITTENTLY	1. Loose or broken lead/ leads in generator.	1. Repair broken lead or reconnect loose lead.
LOW AC OUTPUT VOLTAGE	1. External short circuit on line.	1. Locate and eliminate short circuit problem.
	2. Generator overloaded.	2. Remove part of load.
	3. Shorted or grounded circuit in field or armature winding.	3. Test with ohmmeter or tester and replace if defective.
	4. Engine not running properly causing generator to slow down.	4. Refer to Engine Troubleshooting guide.
NOISY GENERATOR	1. Defective bearing in end ball.	1. Replace bearing.
GENERATOR OVERHEATS	1. Generator overloaded.	1. Remove part of load.
	2. Windings and parts covered with oil or dirt.	2. Clean generator.
	3. Air intake restricted or incoming air too hot.	3. Take necessary steps to allow for proper cooling.
	4. Shorted or grounded circuit in armature or field windings.	4. Test with ohmmeter or tester and replace if defective.
AC OUTPUT VOLTAGE HIGH WITH NO LOAD CONNECTED AND GENERATOR RUNNING AT 1800 RPM	1. Compounding reactor	1. Remove, test and replace.

GENERATOR SERVICE PROCEDURES AND TESTS

BRUSH REMOVAL AND REPLACEMENT

To reach the brushes, remove the plastic end bell screens. (See Figure 5-1 for location of generator components.) Measure brush wear as shown in Figure 5-2, by inserting a small, narrow scale into the top of the brush block. If the brushes need replacing, remove and tag the wires connected to the brush blocks. Then remove the brush blocks and lift them out of the end bell. Pull the brushes and springs out from the bottom of the brush block. Clean the brush block at this time.

CAUTION *The brushes are easily damaged during genset disassembly/assembly. Use extreme care while installing/removing the genset brushes.*

New brushes are shaped to fit, and seldom need sanding to seat properly. Always replace brushes as a set, and use only the correct brushes. Never use a substitute brush, which may appear to be the same, but have different electrical characteristics.

Note that brush blocks are stamped "BRG END" on one side. Be sure that this stamped side faces the bearing end of the generator for correct brush alignment. Tighten the brush block screws to 40 to 70 in.lb or 4 to 6 ft.lb (5 to 8 N•m). If sparking occurs after replacing the brushes, run the generator with a light load until they seat properly. Check the brush springs for freedom of movement.

ARMATURE GROUND TEST

While the armature is removed for checking shorts using a growler, additional checks can be made. If the armature is still installed, lift the brushes before conducting these tests. These tests use either the continuity tester buzzer or the test light.

Place one test prod on one of the collector rings and the other test prod on the armature shaft (Figure 5-3). The tester buzzer should not buzz (lamp should not light). If it buzzes (or lights), the AC winding or a collector ring is grounded to the shaft. Test each collector "ring" in this manner.

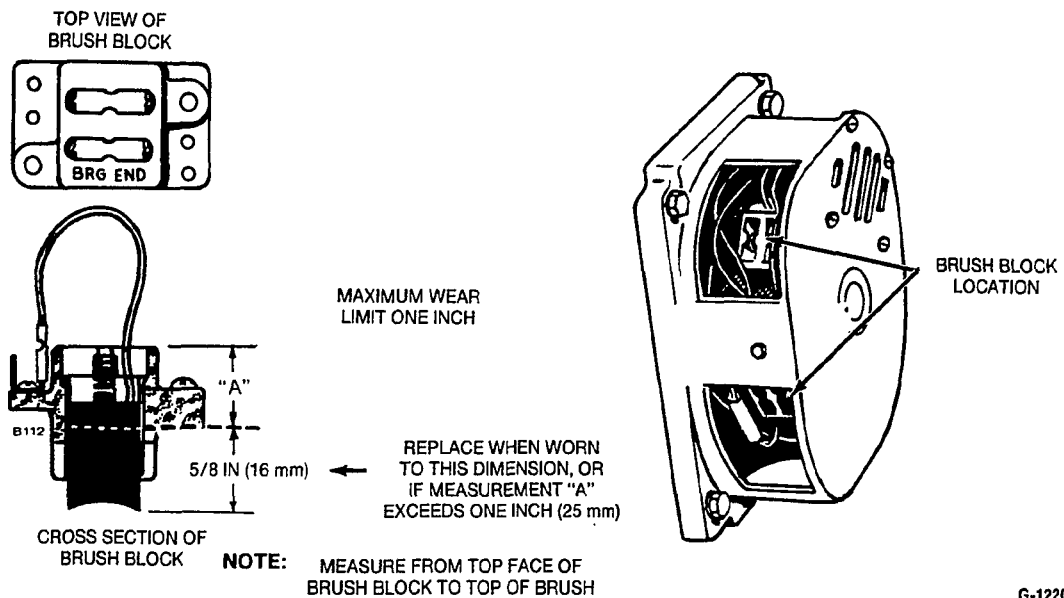
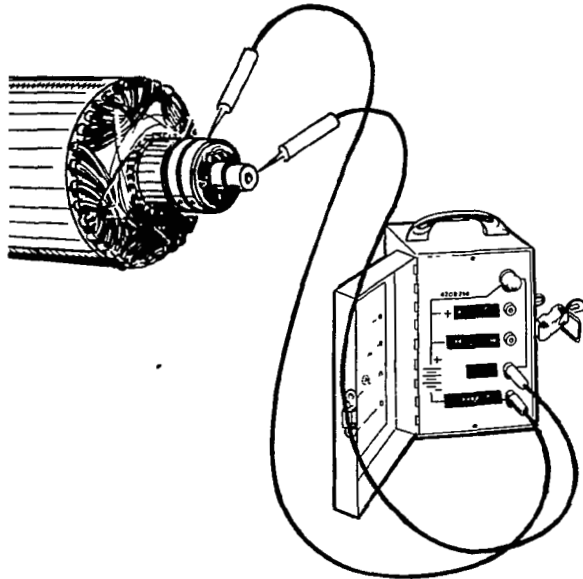


FIGURE 5-2. BRUSH WEAR LIMITS

G-1220

⚠WARNING *Electrical shock can cause severe personal injury or death. Use extreme caution when working on electrical circuitry. Attach and remove meter leads only when the generator set is not operating. Do not touch the meter or meter leads during testing.*



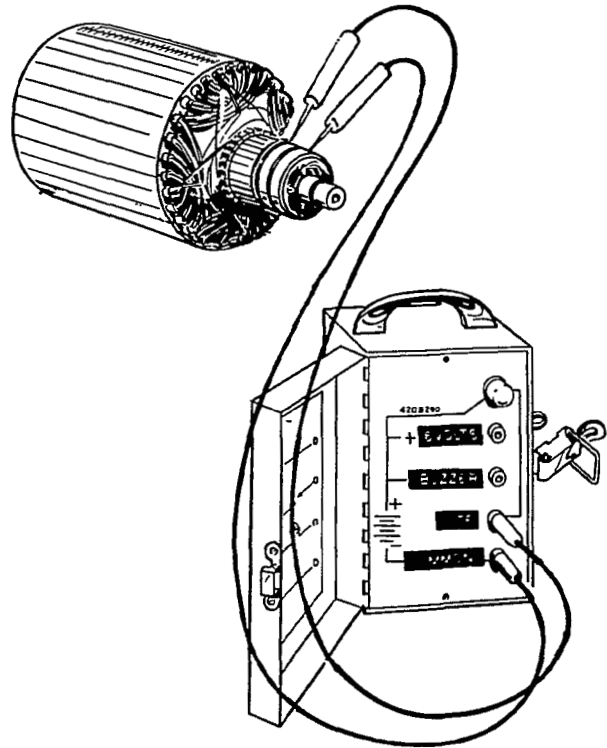
G-1221

FIGURE 5-3. ARMATURE GROUND TEST

ARMATURE OPEN TEST

Place one test prod on each collector ring (Figure 5-4). The tester should buzz or light. If it does not do so, the armature has an open or a bad connection.

⚠WARNING *Electrical shock can cause severe personal injury or death. Use extreme caution when working on electrical circuitry. Attach and remove meter leads only when generator set is not operating. Do not touch meter or meter leads during testing.*



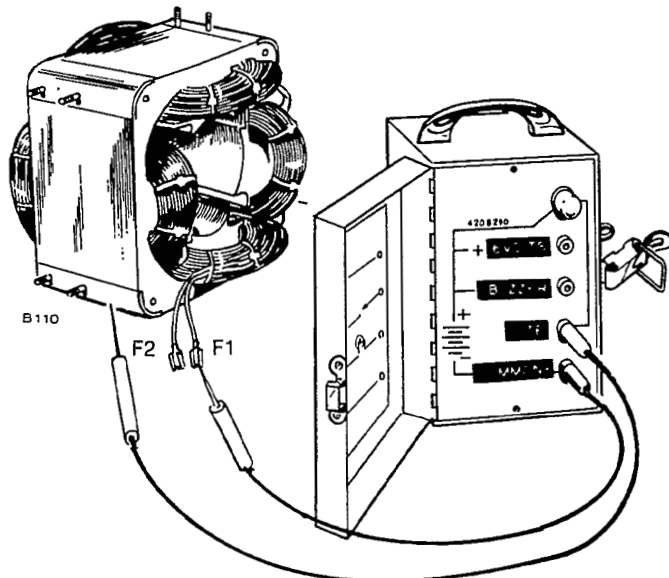
G-1222

FIGURE 5-4. ARMATURE OPEN TEST

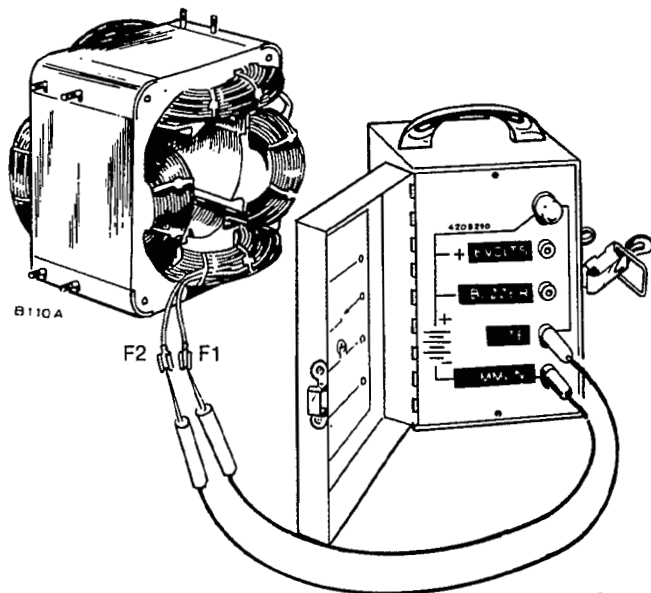
TESTING FIELD WINDINGS FOR GROUNDS

Before testing, disconnect all field leads. Touch one test prod to F1 (+) and the other prod to the frame (Figure 5-5). The buzzer should not sound or the lamp should not light. If the tester buzzes or lights, the field is grounded, and must be replaced. Test lead F2 (-) in the same manner.

⚠WARNING *Electrical shock can cause severe personal injury or death. Use extreme caution when working on electrical circuitry. Attach and remove meter leads only when generator set is not operating. Do not touch meter or meter leads during testing.*



TESTING FOR GROUNDS



G-1223

TESTING FOR OPENS

FIGURE 5-5. TESTING FIELD WINDINGS

TESTING FIELD WINDINGS FOR AN OPEN CIRCUIT

Use either a continuity tester or an ohmmeter for this test.

Using an Ohmmeter

Disconnect the external leads and connect the ohmmeter leads to F1 (+) and F2 (-).

At 70° F (21° C), resistance should be 28.8 ohms (± 3%) for the BF and 38 ohms (± 3%) for the NH.

⚠ WARNING *Electrical shock can cause severe personal injury or death. Use extreme caution when working on electrical circuitry. Attach and remove meter leads only when generator set is not operating. Do not touch meter or meter leads during testing.*

Using a Continuity Tester

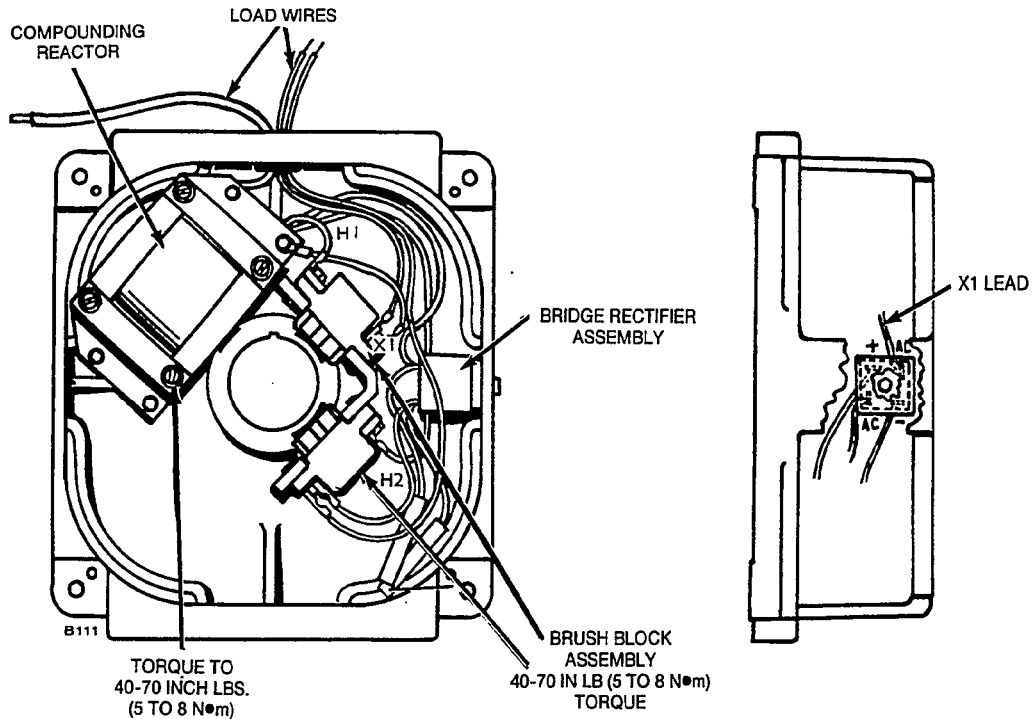
Disconnect the external leads and touch the test prods to F1 and F2. The lamp should light or the buzzer should sound. If not, the field winding is open, and must be replaced. Check the terminal ends closely for loose connections. These can be tightened without replacing the assembly.

TESTING BRIDGE RECTIFIER

To accurately test the bridge rectifier proceed as follows:

1. Loosen the screw to remove the bridge rectifier assembly (see Figure 5-6 for location).
2. Disconnect the nylon connector from the bridge rectifier assembly, noting the polarity marking of the bridge rectifier assembly and connector.
3. Pull the assembly out from the end bell and remove the bridge rectifier from its case.

⚠ CAUTION *The bridge rectifier and attached components may be damaged or destroyed by incorrect mounting. Note that the connector can only be mounted in the end bell in one direction, but the bridge rectifier can be mounted in four (4) directions, of which only one will work. Use extreme care to mount the bridge rectifier correctly.*



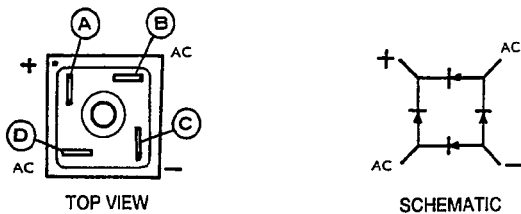
M-1776

FIGURE 5-6. END BELL ASSEMBLY

CAUTION All terminals are marked on both the bridge rectifier and the nylon case. Observe the proper polarity when reinstalling. If installed incorrectly, generator voltage will not build up to the proper level.

4. Use an ohmmeter to test the bridge rectifier. Set the ohmmeter dial to R x 1 scale.
5. Place the meter leads on the points shown in Figure 5-7 and note the readings from the table below.
6. If any tests do not agree with the above readings, install a new bridge rectifier.

NOTE: RED MARK APPEARS NEAR "+" LEAD



M-1777

FIGURE 5-7. TESTING BRIDGE RECTIFIER

OHMMETER BLACK LEAD*	OHMMETER RED LEAD	RESISTANCE
A	B	*8 Ohms
A	D	*8 Ohms
B	C	*8 Ohms
D	C	*8 Ohms
B	A	Infinity
D	A	Infinity
C	B	Infinity
C	D	Infinity

* - ± 10% - Readings taken at 70°F (21°C).

COLLECTOR RINGS

Collector rings acquire a glossy brown finish in normal operation. Do not attempt to maintain a bright, new-looking surface on the rings. Cleaning with a dry, lint-free cloth is usually sufficient. Very fine sandpaper (#240 or finer) may be used to sand the collector rings while the genset is running, to remove slight roughness. Use only light pressure on the sandpaper. Do not use emery or carborundum paper or cloth. Clean out all carbon dust from the generator.

WARNING Contact with rotating machinery can result in death or severe personal injury. Use extreme care, and keep hands and fingers clear while sanding the collector rings.

GENERATOR BEARING

The generator is pre-lubricated and double-sealed. Replace the bearing approximately every 5 years, or each engine overhaul, or whenever the generator is disassembled.

COMPOUNDING REACTOR

With the generator running at 1800 rpm, if the output voltage is high with no electrical load attached, then the compounding reactor is probably defective. Test as shown in Figure 5-8 using a variac.

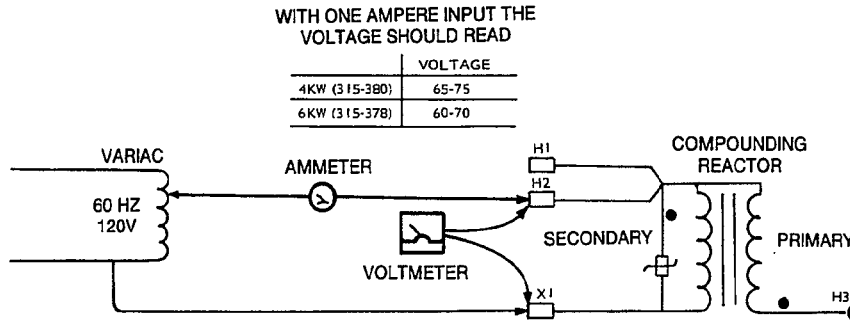


FIGURE 5-8. TESTING COMPOUNDING REACTOR

ES-1821

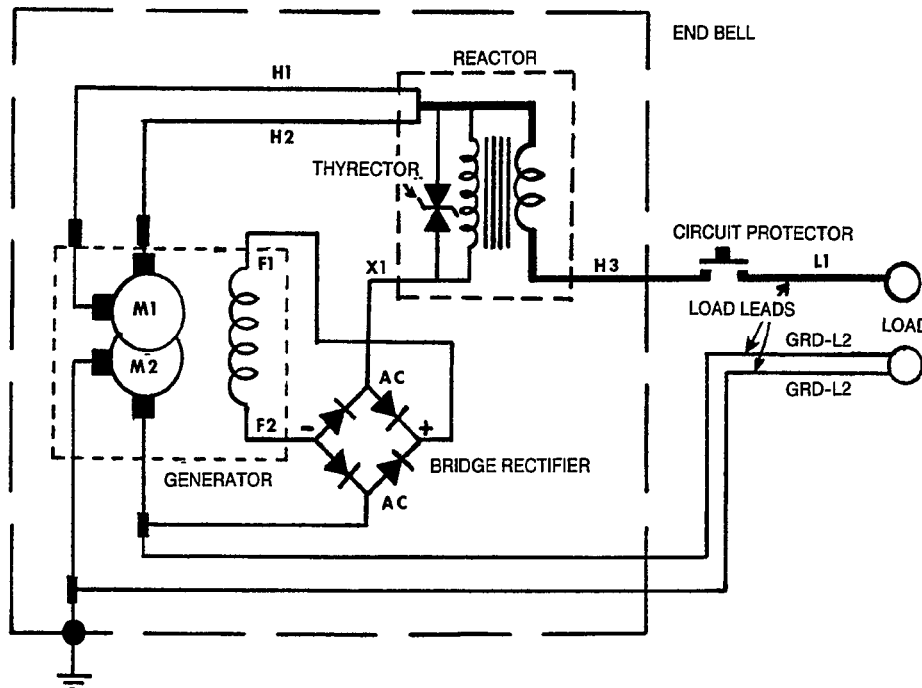


FIGURE 5-9. AC GENERATOR SCHEMATIC

ES-1822

APPROXIMATE GENERATOR VALUES

MODEL	TYPICAL N.L. VOLTS	TYPICAL F.L. VOLTS	N.L. VOLTS X1 to H1	N.L. VOLTS F1 to F2	RESISTANCE F1 to F2	RESISTANCE H1 to X1	CURRENT FULL LOAD
4 kW	125	112	100 VAC	40 V DC	28 Ohms	0.83 Ohms	33 Amps
6 kW	123	113	80 VAC	50 V DC	38 Ohms	0.85 Ohms	50 Amps

N.L. - No Load
F.L. - Full Load

GENERATOR TORQUE VALUES

DESCRIPTION	TORQUE VALUE
Generator Through Studs (4)	15 to 18 ft lb (20 to 24 N•m)
Armature Hold-down Nut - 12 Point	45 to 50 ft lb (61 to 67 N•m)
Compounding Reactor Studs	4 to 6 ft lb (5 to 8 N•m)
Brush Block Assembly Studs	4 to 6 ft lb (5 to 8 N•m)

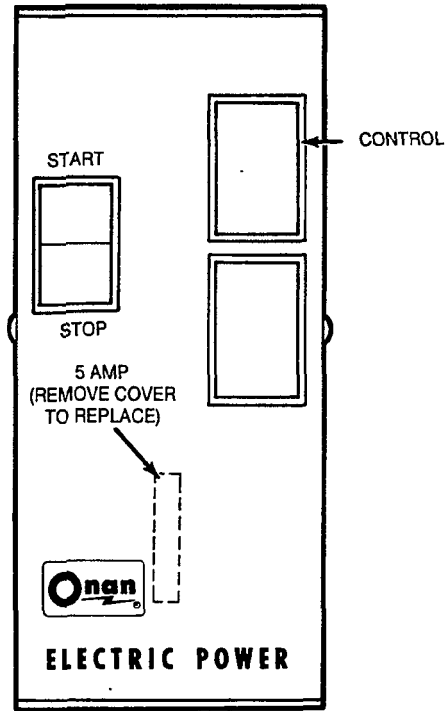
EMERGENCY START-STOP OPERATION

In an emergency, the control board can be bypassed to start or stop the genset. Connect a jumper between terminals 9 and 11 to energize the ignition, fuel solenoid and fuel pump. Then temporarily jumper terminals 1 and 7 to energize starter. Remove this jumper as soon as the engine starts and runs. DO NOT jumper these terminals while the engine is running. To stop the genset, remove the jumper from terminals 9 and 11.

CAUTION *This emergency operation DOES NOT provide fuse protection, start disconnect or low oil pressure shutdown, and should not be used without monitoring the generator set.*

FUSE PROTECTION

A 5-ampere fuse, installed on the control board, protects the board from shorts in the remote wiring. If the fuse is blown, correct the situation that blew the fuse, then remove the cover on the control and replace it with an identical fuse (Figure 5-11).



8134

FIGURE 5-11. FUEL LOCATION

FS-1779

CONTROL SYSTEM TROUBLESHOOTING

After removing the control cover, use a long-nosed pliers to remove the flag connectors from the terminals on the board. Pull these connectors straight out to avoid breaking the control board terminals. Do not attempt to adjust the contacts on relays K2 and K3; they are precision-set at the factory. Blow dirt out of the relay contacts with a low-pressure compressed air source.

To correct a problem, answer the question in the appropriate troubleshooting chart either "YES" or "NO". Refer to the number in that column and proceed to that step.

⚠ WARNING *Many troubleshooting procedures present hazards which can result in severe personal injury or death. Only qualified service personnel with knowledge of fuels, electricity, and machinery hazards should perform service procedures. Review safety precautions on inside cover page.*

PROBLEM	SEE PAGE
A. Engine does not crank.	5-11
B. Engine cranks but does not start.	5-12
C. Engine runs for 3 or 4 seconds, then stops	5-13
D. Low battery - no charge rate.	5-13

A.	ENGINE DOES NOT CRANK	YES	NO
1.	Check battery. Are battery terminals clean and are cables tight?	2.	—
2.	Check battery cables for polarity. Is 12 volts present across battery terminals with engine stopped and is 8 volts or higher present with engine cranking?	3	10
	⚠ WARNING <i>Arcing or inadvertent starting of the generator set can cause damage to the generator set, severe personal injury, or death. For this reason, disconnect the negative (-) battery cable before beginning these procedures, and do not reconnect the negative (-) battery cable until these procedures are complete.</i>		
3.	Remove cover on printed circuit board. Jumper terminal 7 to 3. Press start switch. Does engine crank?	4	5
	⚠ WARNING <i>Electrical shock can cause severe personal injury or death. Use extreme caution when working on electrical circuitry. Attach and remove jumpers only when generator set is not operating. Do not touch jumpers during testing.</i>		

A.	ENGINE DOES NOT CRANK	YES	NO
4.	K2 contact is defective. Replace printed circuit board.	—	—
5.	Jumper terminal 7 to 1. Does engine crank?	6	7
6.	Start switch S3 is defective. Replace printed circuit board.	—	—
7.	Jumper from S terminal of B1 starter motor to positive (+). Does engine crank?	8	9
8.	Replace K1 start solenoid.	—	—
9.	Starter is defective. Remove and perform tests listed in <i>Starter</i> section of master service manual and/or replace starter.	—	—
10.	Replace battery.	—	—
B.	ENGINE CRANKS BUT DOES NOT START	YES	NO
1.	Is F1 fuse on control board OK?	3	2
2.	Replace with an identical 5-ampere fuse. Correct problem which caused fuse to burn. Note: Remote leads may be shorted or grounded.	—	—
3.	While engine cranks, check K1-I start solenoid voltage. Is 12 volts present between terminals 10 and 1?	5	4
4.	Replace K1 start solenoid.	—	—
5.	Jumper terminals 9 to 11. Does engine start when start switch is pushed?	6	7
6.	K3 contacts are defective. Replace printed circuit board.	—	—
7.	Fuel solenoid K4 must be open during starting and running. Remove fuel line from carburetor. Does fuel pulsate from line when start switch is pushed?	11	8
	<div style="border: 1px solid black; padding: 2px; display: inline-block;"> ⚠ WARNING </div> <i>Fuel presents the hazard of fire or explosion which can cause severe personal injury or death. Do not permit any flame, spark, pilot light, cigarette, or other ignition source near the fuel system. Keep an ABC type fire extinguisher nearby.</i>		
8.	Disconnect fuel solenoid from line and check fuel pump E2. Pump will click when operating properly. Does fuel pulsate from pump (solenoid disconnected) when start switch is pushed?	10	9
9.	Fuel pump (or wiring) is defective and must be replaced.	—	—

B.	ENGINE CRANKS BUT DOES NOT START	YES	NO
10.	Fuel solenoid is defective and must be replaced.	—	—
1.	Is electric choke closed when engine is cranking?	13	12
12.	Voltage at choke terminal when engine is cranking should be 12 volts. If choke does not move (at room temperature) with 12 volts applied, replace it. Also check wire from choke to control for shorts to ground.	—	—
13.	The fault is in the ignition system. Check points, plugs, wires and coil. Refer to <i>Ignition</i> section of master service manual.	—	—
C.	ENGINE RUNS 3 OR 4 SECONDS - THEN STOPS*	YES	NO
1.	Check oil level. Refill to FULL mark on dipstick. Does engine now continue to run? ▲CAUTION <i>Operating the engine with inadequate oil and oil pressure can damage or destroy it. Make sure the engine has sufficient oil and oil pressure. Otherwise, engine damage will occur.</i>	—	2
2.	Check voltage from terminal 11 to 12. Is it 12 volts with engine stopped and does voltage drop to zero when engine runs?	—	3
3.	Check oil pressure sensor wire for shorts to ground by visually tracing wire from S2 low oil pressure switch to control. Is wire grounded?	4	5
4.	Replace or repair wire making sure it isn't rubbing against anything that may again cause a ground problem. * - Remote lead 1 may be shorted to remote lead 2. Lead 2 may be grounded.	—	—
D.	LOW BATTERY—LOW CHARGE RATE	YES	NO
1.	With engine cranking, measure voltage at terminal 8 to BAT terminal of K1 start solenoid. Is 6 volts present?	2	3
2.	Check battery connections. They must be clean and tight.	—	—
3.	Check flywheel alternator G1 output. Disconnect AC lead that connects to voltage regulator VR1 and connect voltmeter to this lead and BAT terminal of K1 start solenoid. This checks AC open circuit voltage. Start engine. Is AC output voltage approximately 28 volts with unit running at 1800 rpm?	5	4
4.	Replace alternator stator G1.	—	—
5.	Connect a voltmeter across battery terminals. Start engine. Does DC voltage increase to 13 to 14-1/2 volts after engine is running for a few minutes?	—	6
6.	Remove and replace voltage regulator VR1.	—	—

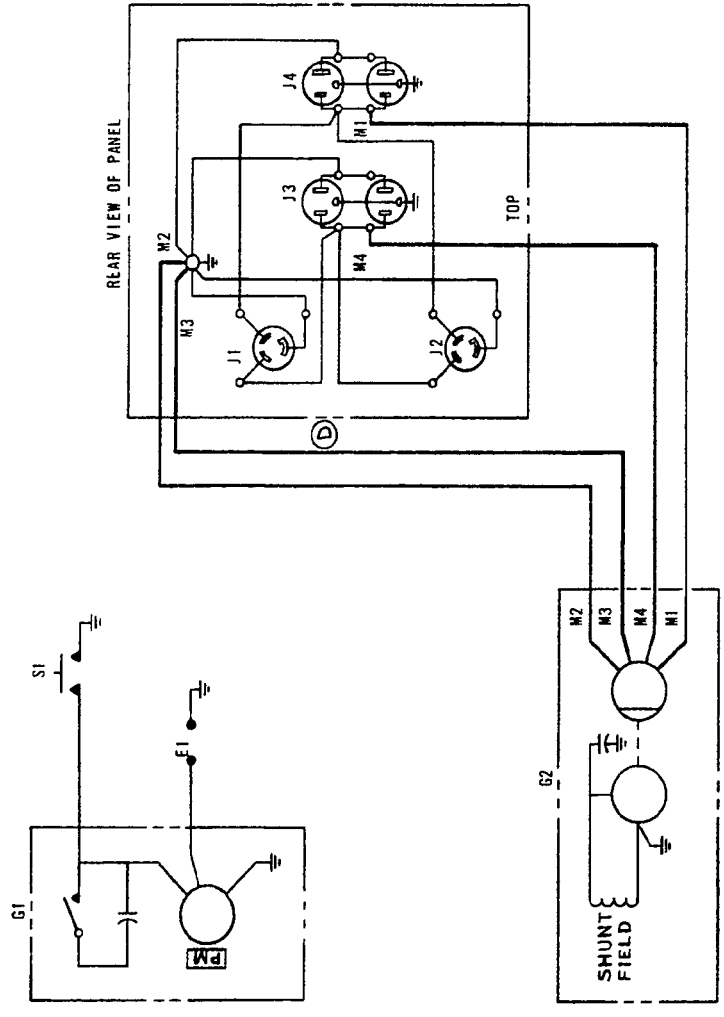
Section 6. Wiring Diagrams

All the wiring diagrams included in this section apply to generator sets equipped with the UN generator. To find the correct wiring diagram, proceed to the page corresponding to the generator set series.

SERIES	WIRING DIAGRAM	SEE PAGE
BF-1R/9000A (9500A)	611-1094	6-11
BF-1R/9000B	611-1109	6-13
BF-3CR/16000A	611-1123	6-14
BF-3CR/16000B	611-1127	6-15
BFA-1R/16000A	611-1135	6-19
BFA-1R/16000B	611-1146	6-17
BGA-3CR/16000A	611-1135	6-19
BGA-3CR/16000B	611-1146	6-17
CCK-3CE/2236R	606-0203	6-4
CCK-3CE/13276R	606-0203	6-14
CCK-3CP/1R	602-0245	6-3
CCK-R/1R	611-1090	6-10
CCK-3CR/12000R	611-1086	6-9
CCK-3CR/16000U	611-1127	6-15
LK-3CR/1M	610-0350	6-6
MCCK-3CR/1E	611-1096	6-12
MCCK-3CR/1F	611-1096	6-12
MCCK-3CR/1G	611-1143	6-16
MCCK/H	611-1145	6-20
MCCK/J	611-1185	6-18
NB-3CM/1A	601-0197	6-2
NB-3CR/1A	610-0326	6-5
NH-3CR/16000A	611-1135	6-19
NH-1R/9000A (9500A)	611-1094	6-11
NH-1R/9000B	611-1109	6-13
NH-3CE/2236D	606-0203	6-4
NH-R/6000A	611-1052	6-8
NH-R/A	611-1019	6-7
NH-R/1R	611-1090	6-10
NH-3CR/12000D	611-1086	6-9
NH-3CR/16000J	611-1127	6-15

601B197

REF	DES	QTY	PARTS LIST	DESCRIPTION
E1		1	SPARK PLUG	
G1		1	MAGNETO ASSY	
G2		1	GENERATOR	
J1, 2		2	RECEPTACLE-TWISTLOCK	
J3, 4		2	SILKSCREEN	
		2	RECEPTACLE-DUPLEX	
SI		1	SILKSCREEN	
		1	SWITCH-STOP	
		2	JUMPER	
		1	PANEL-RECEPTACLE	
		1	RECEPTACLE BOX	
		1	BRACKET-UPPER	
		1	BRACKET-LOWER	

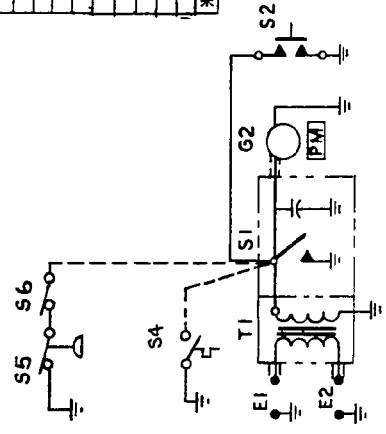
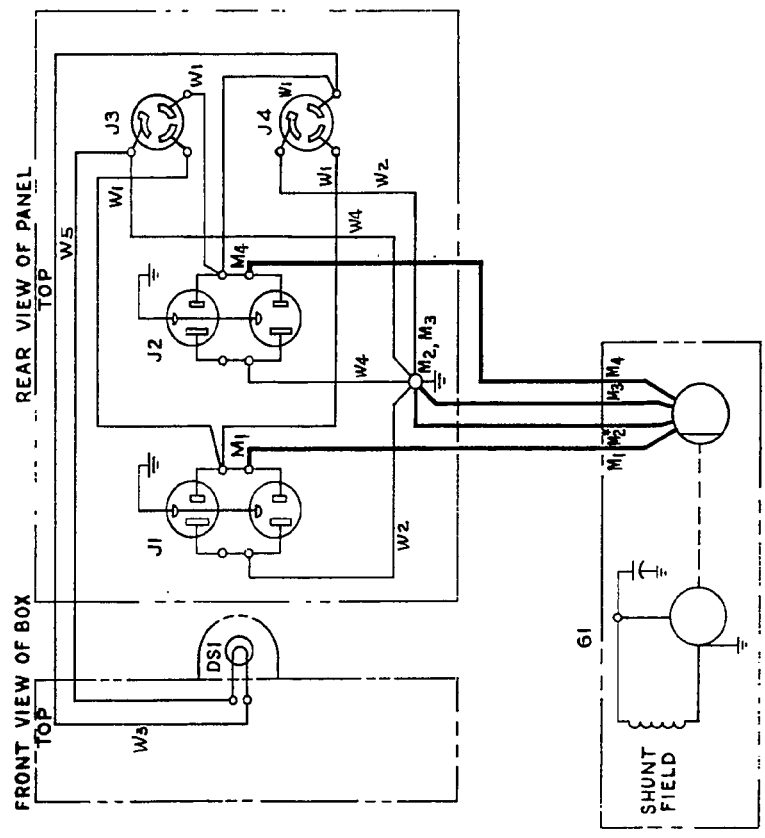


NOTE:
M2 IS GROUNDED AC LEADS. ALL OTHER
AC LEADS HAVE 0.1 MFD CAPACITOR TO
GROUND IN GEN

601B197

		DIVISION OF STEUBENER CORPORATION Meriden, Connecticut	
DATE	3-2-70	BY	CDR G.F.T.
NAME	WIRING DIAGRAM CONTROL - GEN SET		
DWG NO	601B197		
MODEL NO	2.3NB-53CM/1A	3.0NB-3CM/1A	
	120/240V, 1PH, 4W, 50CY	120/240V, 1PH, 4W, 60CY	

602-0245



PARTS LIST

REF. DES.	QTY	DESCRIPTION
DS1	1	LAMP 120V.
	1	RECEPTACLE - PILOT LIGHT
	1	GUARD - PILOT LIGHT
	1	CLAMP
11,2	2	GASNET
	2	RECEPTACLE, DUPLEX 120 V.
	2	SILKSCREEN
	2	JUMPER
13,4	2	RECEPTACLE, TWISTLOCK 240V.
	1	SILKSCREEN
* S5	1	LOPKO
* S6	1	MOMENTARY OPEN SWITCH
	1	RECEPTACLE BOX
	1	PANEL - RECEPTACLE BOX

ENR GEN PARTS LIST (REF)

1	TERMINAL
61	GENERATOR
S1	MAGNETO
S2	BREAKER AND CAP ASSEMBLY
T1	SWITCH - STOP
T2	COIL - IGNITION
W1	LEAD ASSY
W2	LEAD ASSY
W3,5	LEAD ASSY
W4	LEAD ASSY
* S4	TERMINAL - RING
	HATKO

*WHEN USED

602-0245

ORIGIN DIVISION OF STAMPRESS CORPORATION
 DAYTON, OHIO

DATE 4-12-72 BY CDR S.F.T.
 MODEL NO. -01
 4.0 & 5.0 CCK-3CP/1R
 CONTROL - GEN SET
 (WIRING DIAGRAM)

QTY NO 602-0245

120/240 V, 1 PHASE
 4 W., 60 CY.

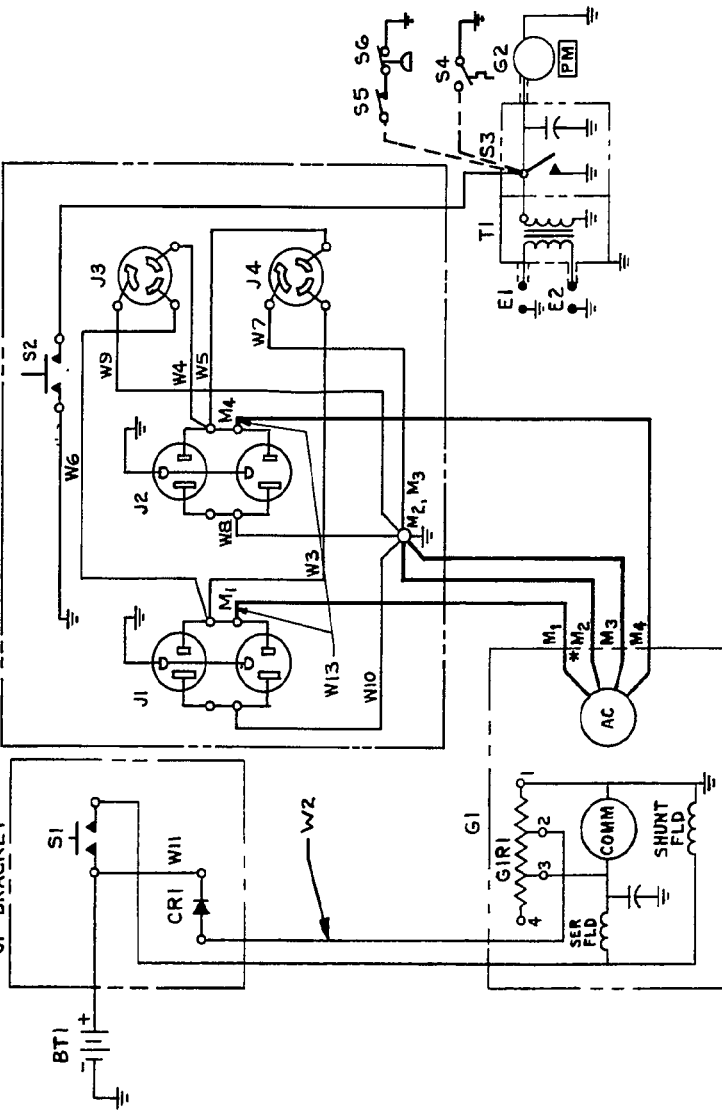
B

*GROUND AC LEAD, ALL OTHERS
 HAVE 0.1 MFD CAPACITOR TO GROUND
 IN GEN

606-0203 B

OUTSIDE VIEW OF BRACKET

REAR VIEW OF PANEL TOP



* WHEN USED

* GROUNDED AC LEAD, OTHERS HAVE .1 MFD CAPACITOR TO GROUND IN GEN

REF. DES. CRI	QTY	PARTS LIST	DESCRIPTION
	1	RECTIFIER	
J1, J2	1	BRKT-RECTIFIER MTC	
J3, J4	2	RECEPTACLE, DUPLEX, 120 V	
S1	1	SWITCH, START	
S2	1	SWITCH, STOP	
	1	BRACKET ASSY - CONTROL (-01)	
	1	BRACKET ASSY - CONTROL (-02)	
	1	PANEL ASSY - RCPT	
	1	CONTROL - BOX	
BT1 - ENG GEN PARTS LIST (REF)			
EI, E2	1	BATTERY	
G1	2	SPARK PLUG	
G1, R1	1	GENERATOR	
G2	1	PLC LSTOR-GENERATOR	
S3	1	MAGNET	
S4	1	BREAKER & CAP ASSY	
S5	1	HATKO	
S6	1	MOMENTARY CONTACT SW	
T1	1	LOPKO	
	1	COIL-IGNITOR	

606-0203 B

606-0203

CONTROL - GEN SET (WIRING DIAGRAM)

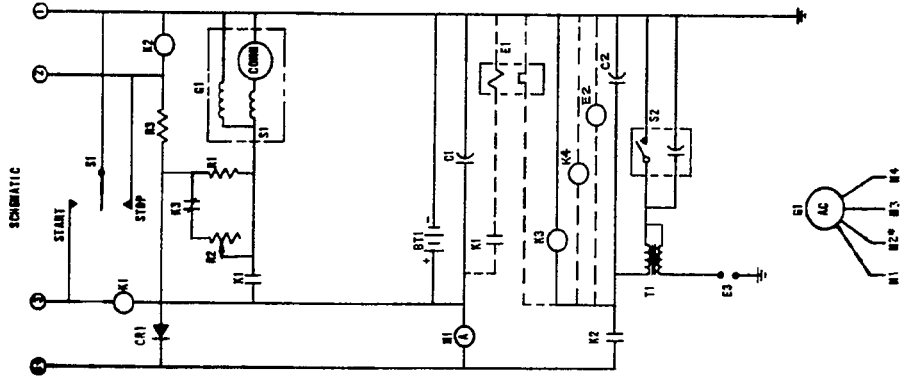
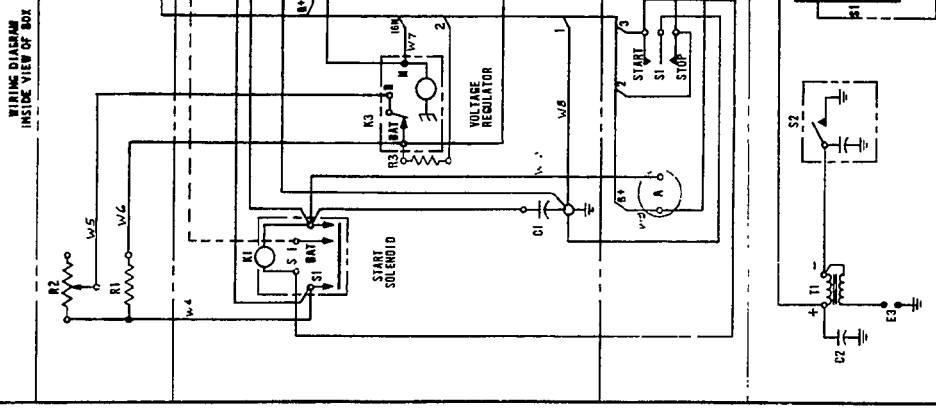
4-17-72 CDR G.A.T.

DIVISION OF STUDEBAKER CORPORATION

MODEL NO	4.0 & 5.000K-3CE/2236R
-01	4.0 & 5.000K-3CE/2236R
-02	5.5 NH-3CE/2236D
	5.0 00K-3CE/1321BR
	120/240V, 1PH, 4 W, 60 CY

REV	DATE	BY	CHKD
L	ADDED 301-3576(C)	2/2/78	11-15-78
M	REV PARTS LIST	10/1/78	9-8-78
L	DELETE W12	10/1/78	3-17-78
K	ADDED 332 P 517	12/9/77	
J	W11 WAS 226-1155	5-19-76	

610C326



REF DES	QTY	PARTS LIST	DESCRIPTION
C1	1	CAPACITOR 1 0 MFD	
CR1	1	RECTIFIER & LEAD ASSY	
K1	1	DIODE-REVERSE CURRENT	
K2	1	HEAT SINK	
K3	1	RELAY-START SOLENOID	
K4	1	RELAY-STOP	
K5	1	RELAY-2 STEP VOLTAGE REG.	
M1	1	AMMETER-DVANCE 10-0-10	
R1	1	RESISTOR 10 25 W	
R2	1	RESISTOR 10 50 W ADJ	
R3	1	RESISTOR 10 5 W	
R4	1	RESISTOR 10 5 W	
S1	1	SWITCH & LEAD ASSY	
T1	1	LOCK-TERMINAL STRIP-MARKER	
W1	1	LEAD ASST	
W2	1	LEAD ASST	
W3	1	LEAD ASST	
W4	1	LEAD ASST	
W5	1	LEAD ASST	
W6	1	LEAD ASST	
W7	1	LEAD ASST	
W8	1	LEAD ASST	
W9	1	LEAD ASST	
W10	1	LEAD ASST	
		CONTROL BOX	
		CO-EG-CONTROL BOX	
		SILKSCREEN-REDONANT 3A	
		SILKSCREEN-START STOP	
		BROOMET	
		GROUND E1	
		GROUND E2	
		GROUND E3	

⚡ WHEN USED

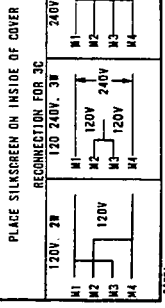
REF DES	QTY	PARTS LIST	DESCRIPTION
BT1	1	BATTERY 12V	
C2	1	CAPACITOR 0.1 MFD	
KE1	1	CHOKE-THERMO MAG	
ME7	1	PUMP-FUEL	
E3	1	SPARK PLUG	
G1	1	GENERATOR	
K4	1	SOLENOID-GAS	
S2	1	BREAKER & CAP ASSY	
T1	1	COIL-IGNITION	

610C326

WIRING DIAGRAM

CONTROL-BOX SET

-01	NB - 3CR/1A
	12V REMOTE

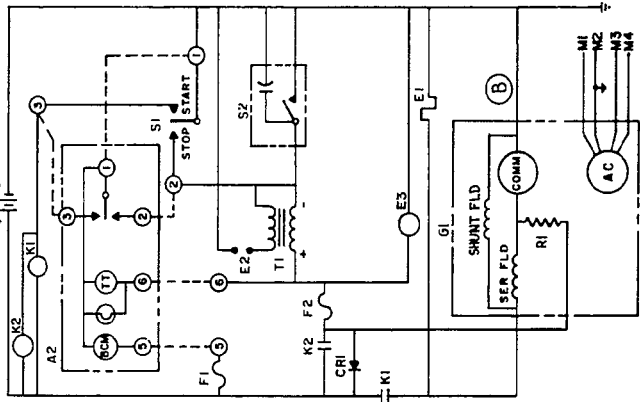


*GROUND AC LEAD. ALL OTHERS HAVE 0.1 MFD CAPACITOR TO GROUND.

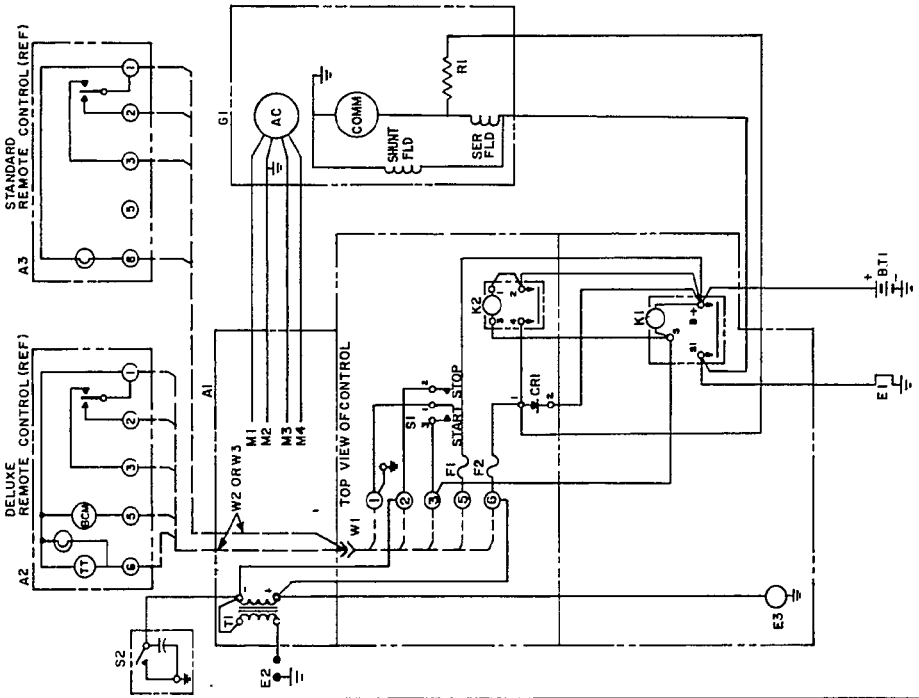
610-0350C

USE DES	PT	DESCRIPTION
A1	1	CONTROL ASSY
A2	1	DELUXE REMOTE CONTROL
A3	1	STANDARD REMOTE CONTROL
BT1	1	BATTERY 12V
CR1	1	RECTIFIER
E1	1	CHOKE-OMAN
E2	1	SPARK PLUG
E3	1	SOLENOID-FUEL
F1,2	2	FUSE (5 AMP, 32 V)
G1	1	GENERATOR
K1	1	SOLENOID - START
K2	1	RELAY-CRANK IGNITION
R1	1	RESISTOR
S1	1	SWITCH-START-STOP
S2	1	BREAKER B. CAP ASSY
T1	1	COIL-IGNITION
W1	1	WIRING HARNESS (CONN.-REMOTE)
W2	1	WIRING HARNESS (CABLE-REMOTE CONTROL) (10 FEET LONG)
W3	1	WIRING HARNESS (CABLE-REMOTE CONTROL) (30 FEET LONG)

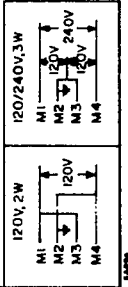
SCHEMATIC



WIRING DIAGRAM



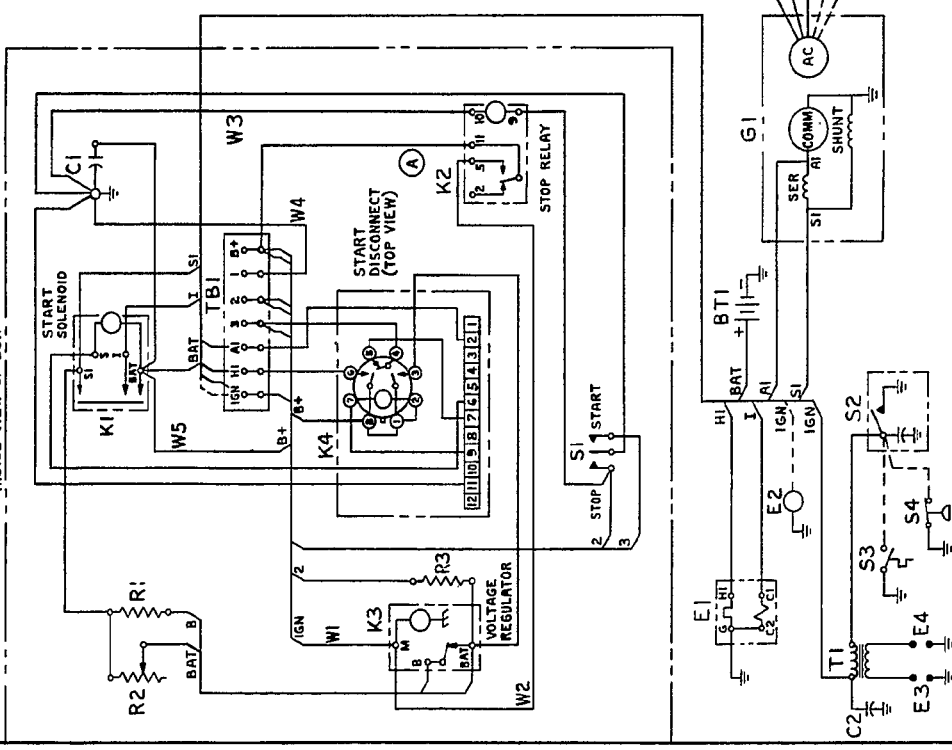
RECONNECTION CHART



DIVISION OF OMAN CORPORATION
 PART NO. 12-23-75 RKE 12/71
 CONTROL-GEN SET
 WIRING DIAGRAM
 PART FROM 611-11 610-0350
 -01
 2.5 L.K.-3CR/IL
 120/240V. 1PH.
 4W. 60Hz

611C1052

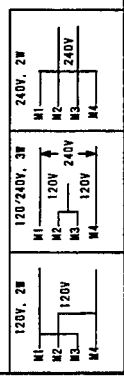
WIRING DIAGRAM
INSIDE VIEW OF BOX



AC SLIP RINGS
 M1 M2 M3 M4 M0
 BEARING END
 M1 M2 M3 M0
 COMM. END

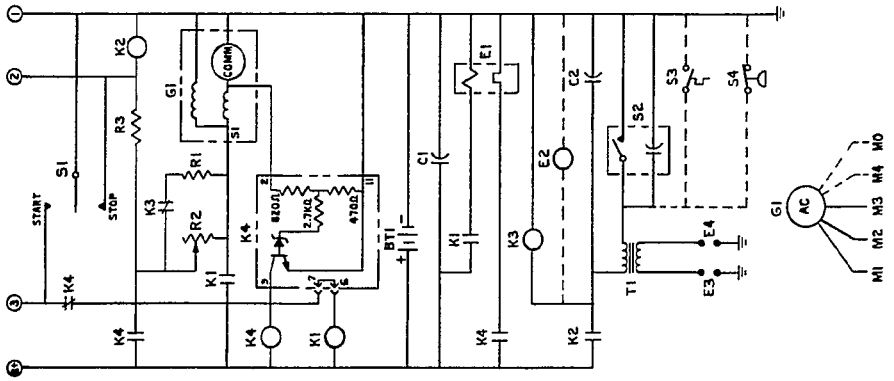
3C 120-240V, 1PH.
 4 120-208V, 3PH.
 5D 120-240V, 3PH.

PLACE SILKSCREEN ON INSIDE OF COVER
 RECONNECTION FOR 3C



*GROUND AC LEAD. ALL OTHERS
 HAVE 0.1 MFD CAPACITOR TO GROUND.

SCHEMATIC



*OTHER USED

REF. DES.	QTY.	DESCRIPTION
C1	1	CAPACITOR ASSY. 1.0 MFD
K1	1	RELAY-START SOLENOID
K2	1	RELAY-STOP
K3	1	RELAY-2 STEP VOLTAGE REGULATOR
K4	1	RELAY-START DISCONNECT
R1	1	AMPLIFIER-START DISCONNECT
R2	1	RESISTOR 67.50 W
R3	1	RESISTOR 60.100 W AD
S1	1	RESISTOR 300.5 W
S2	1	RESISTOR 300.5 W
S3	1	RESISTOR 300.5 W
S4	1	RESISTOR 300.5 W
T1	1	SWITCH-START STOP
W1	1	TERMINAL BLOCK
W2	1	MARKER STRIP
W3	1	LEAD ASSY
W4	1	LEAD ASSY
W5	1	LEAD ASSY
W6	1	LEAD ASSY
W7	1	LEAD ASSY
W8	1	LEAD ASSY
W9	1	LEAD ASSY
W10	1	LEAD ASSY
W11	1	LEAD ASSY
W12	1	LEAD ASSY
W13	1	LEAD ASSY
W14	1	LEAD ASSY
W15	1	LEAD ASSY
W16	1	LEAD ASSY
W17	1	LEAD ASSY
W18	1	LEAD ASSY
W19	1	LEAD ASSY
W20	1	LEAD ASSY
W21	1	LEAD ASSY
W22	1	LEAD ASSY
W23	1	LEAD ASSY
W24	1	LEAD ASSY
W25	1	LEAD ASSY
W26	1	LEAD ASSY
W27	1	LEAD ASSY
W28	1	LEAD ASSY
W29	1	LEAD ASSY
W30	1	LEAD ASSY
W31	1	LEAD ASSY
W32	1	LEAD ASSY
W33	1	LEAD ASSY
W34	1	LEAD ASSY
W35	1	LEAD ASSY
W36	1	LEAD ASSY
W37	1	LEAD ASSY
W38	1	LEAD ASSY
W39	1	LEAD ASSY
W40	1	LEAD ASSY
W41	1	LEAD ASSY
W42	1	LEAD ASSY
W43	1	LEAD ASSY
W44	1	LEAD ASSY
W45	1	LEAD ASSY
W46	1	LEAD ASSY
W47	1	LEAD ASSY
W48	1	LEAD ASSY
W49	1	LEAD ASSY
W50	1	LEAD ASSY
W51	1	LEAD ASSY
W52	1	LEAD ASSY
W53	1	LEAD ASSY
W54	1	LEAD ASSY
W55	1	LEAD ASSY
W56	1	LEAD ASSY
W57	1	LEAD ASSY
W58	1	LEAD ASSY
W59	1	LEAD ASSY
W60	1	LEAD ASSY
W61	1	LEAD ASSY
W62	1	LEAD ASSY
W63	1	LEAD ASSY
W64	1	LEAD ASSY
W65	1	LEAD ASSY
W66	1	LEAD ASSY
W67	1	LEAD ASSY
W68	1	LEAD ASSY
W69	1	LEAD ASSY
W70	1	LEAD ASSY
W71	1	LEAD ASSY
W72	1	LEAD ASSY
W73	1	LEAD ASSY
W74	1	LEAD ASSY
W75	1	LEAD ASSY
W76	1	LEAD ASSY
W77	1	LEAD ASSY
W78	1	LEAD ASSY
W79	1	LEAD ASSY
W80	1	LEAD ASSY
W81	1	LEAD ASSY
W82	1	LEAD ASSY
W83	1	LEAD ASSY
W84	1	LEAD ASSY
W85	1	LEAD ASSY
W86	1	LEAD ASSY
W87	1	LEAD ASSY
W88	1	LEAD ASSY
W89	1	LEAD ASSY
W90	1	LEAD ASSY
W91	1	LEAD ASSY
W92	1	LEAD ASSY
W93	1	LEAD ASSY
W94	1	LEAD ASSY
W95	1	LEAD ASSY
W96	1	LEAD ASSY
W97	1	LEAD ASSY
W98	1	LEAD ASSY
W99	1	LEAD ASSY
W100	1	LEAD ASSY

PARTS LIST (REF.)

B1	1	BATTERY, 12V
B2	1	CAPACITOR, 0.1 MFD
B3	1	CHUNE-HERMO MAG
B4	1	PUMP-FILL
B5	2	SPARK PLUG
B6	1	GENERATOR
B7	1	BREAKER & CAP ASSY
B8	1	SWITCH-LOW AIR TEMP
B9	1	SWITCH-LOW OIL PRESS
B10	1	VOLT-REGULATOR
B11	1	SOLENET ASSY-START DISC
B12	1	SPRING

ORIGIN DIVISION OF UNIVERSITY CORPORATION

DATE 8-24-70 CDR [Signature] WJB

PROJECT CONTROL - GEN SET (WIRING DIAGRAM)

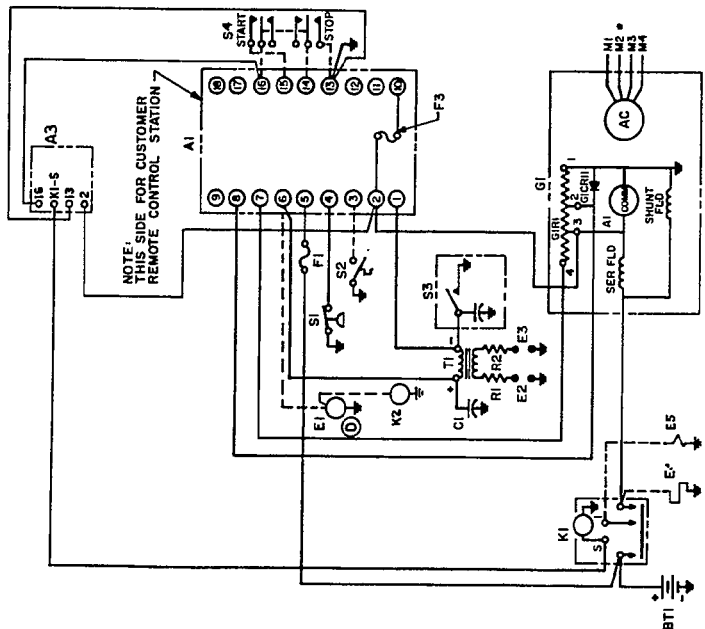
MODEL NO NH-*** R/6000A

12V REMOTE

611C1052

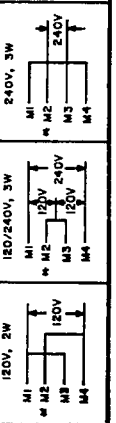
611C1086

WIRING DIAGRAM

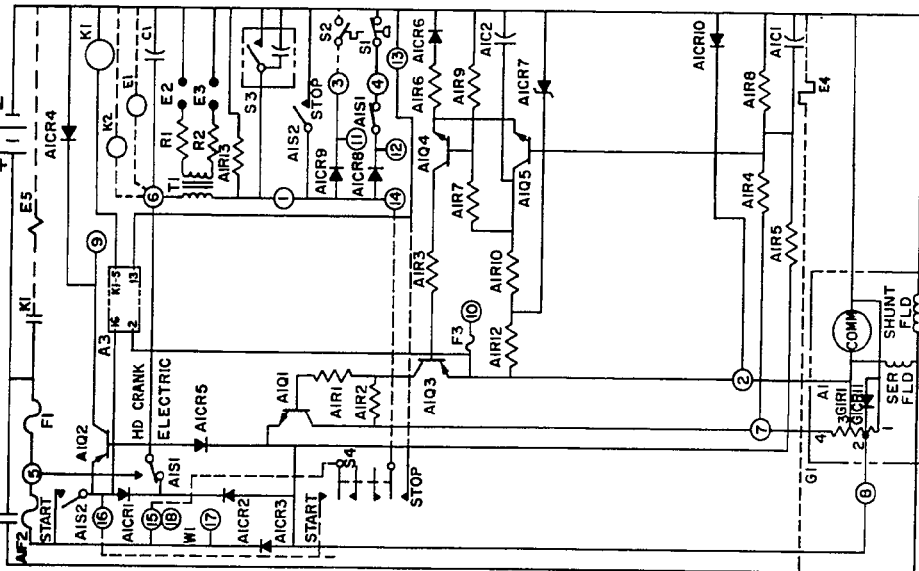


- AC SLIP RINGS
- M1 M2 M3 M4
 - M2 M3 M4
 - M3 M4
 - M4
- BEARING END
- COMM END
- ** VOLTAGE CODE
- 3C 120/240V, 1PH
 - 4 120/208V, 3PH
 - 5D 120/240V, 3PH
 - 7 220/380V, 3PH
 - 4X 277/480V, 3PH
 - 7X 240/415V, 3PH

RECONNECTION CHART



SCHEMATIC



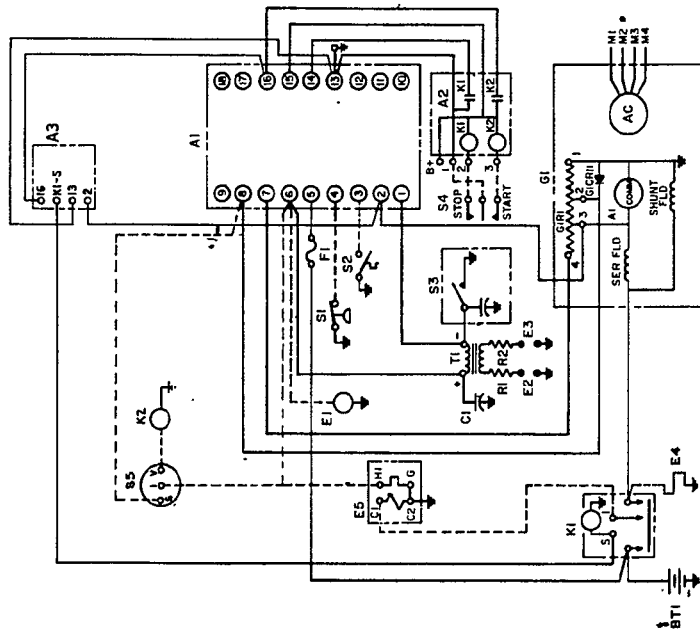
DASH NO	CHOKE	MODEL	WIRING HARNESS	CONTROL ASSY
-01	SISSON CHOKE	CCK,NH	338D64Q	300D1000
-02	ONAN CHOKE	CCK	338D691	300D1000
-03	NO CHOKE	GAS CARB.	338D 0774	300D1108
-04	NO CHOKE	HATKO GAS	338D 0775	300D1108
-05	SISSON CHOKE	HATKO	338D0778	300D1000

REF. DES.	QTY.	PARTS LIST	DESCRIPTION
A1	1	CONTROL ASSY	CONTROL ASSY
A2	1	CONTROL-GEN SET ASSY	CONTROL-GEN SET ASSY
A3	1	CONTROL-START STOP (4 TO 3 WIRE)	CONTROL-START STOP (CUSTOMER REMOTE)
B1	1	WIRING HARNESS	WIRING HARNESS
F3	1	HOLDER ASSY - FUSE	HOLDER ASSY - FUSE
K1	1	CONTROL-DISC ADPTR	CONTROL-DISC ADPTR
PARTS LIST ENG GEN (REF)			
BT1	1	BATTERY-12 VDC	BATTERY-12 VDC
C1	1	CAPACITOR-0.1 MFD	CAPACITOR-0.1 MFD
E1	1	PUMP-FUEL (-01,-02,-05)	PUMP-FUEL (-01,-02,-05)
E2	2	SPARK PLUG	SPARK PLUG
E3	1	CHOKES-SISSON (-01,-05)	CHOKES-SISSON (-01,-05)
E4	1	CHOKES-ONAN (-02)	CHOKES-ONAN (-02)
S1	1	GENERATOR	GENERATOR
S2	1	DIODE-3V	DIODE-3V
S3	1	RESISTOR	RESISTOR
S4	1	RELAY-START SOLENOID	RELAY-START SOLENOID
F1	1	HOLDER ASSY-FUSE	HOLDER ASSY-FUSE
K2	1	SOLENOID-FUEL (-01,-02,-05)	SOLENOID-FUEL (-01,-02,-05)
R1	1	LEAD ASSY-HI TENSION	LEAD ASSY-HI TENSION
R2	1	RESISTOR-HITEMPO 1.701, 25W	RESISTOR-HITEMPO 1.701, 25W
S1	1	SWITCH-LOW OIL PRESS	SWITCH-LOW OIL PRESS
S2	1	SWITCH-HIGH AIR TEMP (-04,-05)	SWITCH-HIGH AIR TEMP (-04,-05)
S3	1	BREAKER & CAP ASSY	BREAKER & CAP ASSY
S4	1	SWITCH-REMOTE START STOP	SWITCH-REMOTE START STOP
T1	1	COIL-IGNITION	COIL-IGNITION

DIVISION OF INTERNATIONAL CORPORATION
 2-12-75
 6.5 NH - M/R/12000
 4 & 5 CCK - M/R/12000
 1 PH
 120/240V, 50Hz
 4W, 60Hz
611C1086

611-1090 C

WIRING DIAGRAM



NOTE: 99 VOLTAGE FOR 115 V, 3 PH 3 WIRE, MO IS NOT USED

AC SLIP RINGS

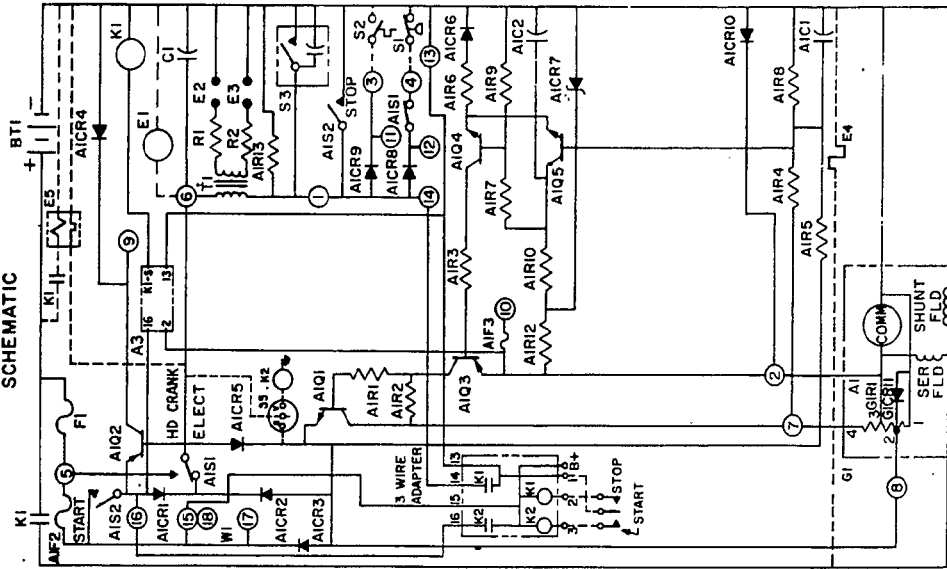
M1	3C 120/240V, 1PH
M2	M1
M3	M1
M4	M1
M5	M1
M6	M1
M7	M1
M8	M1
M9	M1
M10	M1
M11	M1
M12	M1
M13	M1
M14	M1
M15	M1
M16	M1
M17	M1
M18	M1
M19	M1
M20	M1
M21	M1
M22	M1
M23	M1
M24	M1
M25	M1
M26	M1
M27	M1
M28	M1
M29	M1
M30	M1
M31	M1
M32	M1
M33	M1
M34	M1
M35	M1
M36	M1
M37	M1
M38	M1
M39	M1
M40	M1
M41	M1
M42	M1
M43	M1
M44	M1
M45	M1
M46	M1
M47	M1
M48	M1
M49	M1
M50	M1
M51	M1
M52	M1
M53	M1
M54	M1
M55	M1
M56	M1
M57	M1
M58	M1
M59	M1
M60	M1
M61	M1
M62	M1
M63	M1
M64	M1
M65	M1
M66	M1
M67	M1
M68	M1
M69	M1
M70	M1
M71	M1
M72	M1
M73	M1
M74	M1
M75	M1
M76	M1
M77	M1
M78	M1
M79	M1
M80	M1
M81	M1
M82	M1
M83	M1
M84	M1
M85	M1
M86	M1
M87	M1
M88	M1
M89	M1
M90	M1
M91	M1
M92	M1
M93	M1
M94	M1
M95	M1
M96	M1
M97	M1
M98	M1
M99	M1
M100	M1

BEARING END

RECONNECTION CHART

M1	120V, 2W	M1	240V, 3W
M2	M1	M2	M1
M3	M1	M3	M1
M4	M1	M4	M1

SCHEMATIC

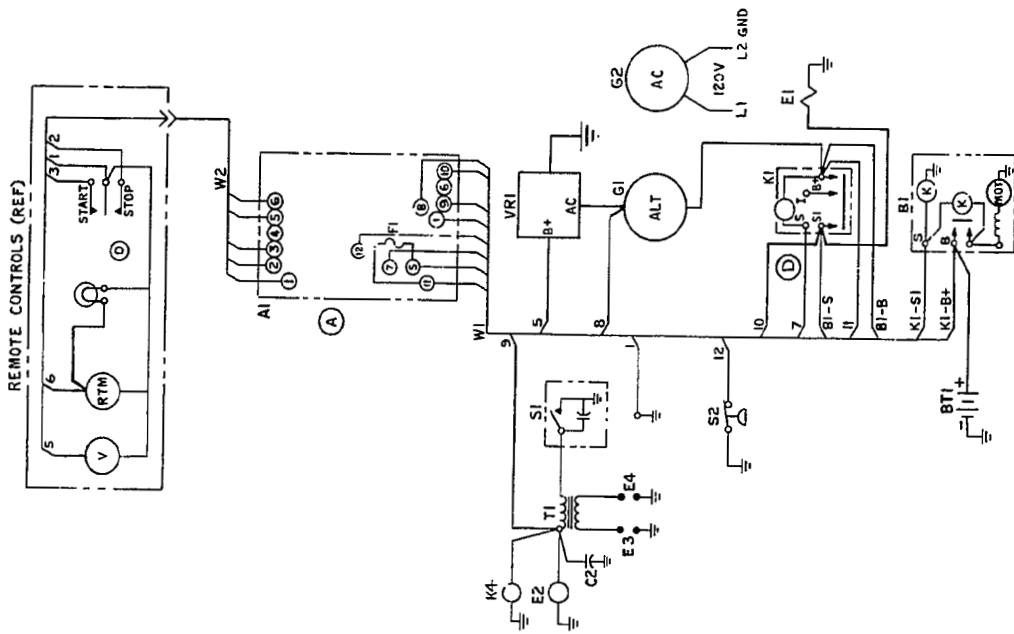


DASH NO	CHOKE	MODEL	WIRING HARNESS
-01	ONAN CHOKE	CKK	338-0682
-02	NO CHOKE; GAS VALVE	CKK	338-0719
-03	THERMAL MAG C, LOPKO	NH	338-0718
-04	NO CHOKE; GAS, LOPKO, HATKO	CKK	338-0722
-05	M3 CHOKE; GAS, VALVE, HATKO	CKK	338-0723
-06	ONAN CHOKE, LOPKO	CKK	338-0724
-07	ONAN CHOKE, HATKO, F. PUMP	CKK	338-0729
-08	F. PUMP, ONAN CHOKE, HATKO, LOPKO	CKK	338-0728
-09	ONAN CHOKE, HATKO	CKK	338-0725
-10	LOPKO, NO CHOKE	CKK/NH	338-0725

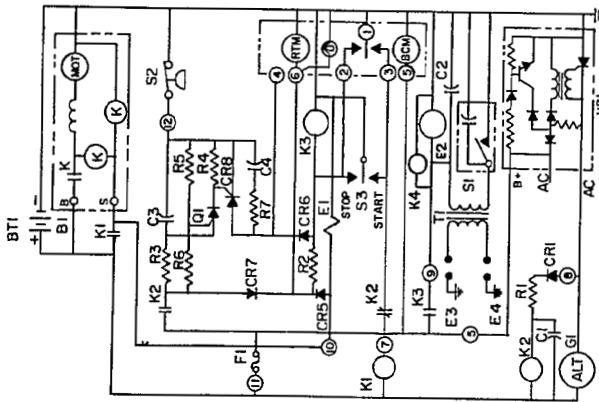
QTY	DESCRIPTION
1	CONTROL ASSY
1	CONTROL-GEN SET ASSY
1	CONTROL-START SWITCH (4 TO 3 WIRE)
1	CONTROL-STOP SWITCH
1	WIRING HARNESS
PARTS LIST ENG GEN (REF)	
BT1	BATTERY-12 VDC
CI	CAPACITOR-0.1 MFD
E1, E2, E3	SPARK PLUG
E4	CHOKE-ONAN (-01, -06, -07, -08, -09, -11)
E5	CHOKE-THERMO MAG (-03, -12)
GI	GENERATOR
GI CR1	DIODE-3A
K1	RELAY-START SOLENOID
K2	FUEL-SOLENOID (NAT GAS ONLY)
FI	HOLDER ASSY-FUSE
R1	LEAD ASSY-RT TENSION
R2	LEAD ASSY-LT TENSION
S1	SWITCH-LOW OIL PRESS 608-09-06-08-09-10-11-12
S2	SWITCH-LIGHT AIR TEMP
S3	BREAKER & CAP ASSY
S4	SWITCH-START STOP (CUSTOMER REMOTE)
S5	SWITCH-MEDIUM PULL-STOP (PART 618-0402)
TI	COIL-IGNITION

611C1094

WIRING DIAGRAM



SCHEMATIC



NOTE:
1. MIN START DISCONNECTS 675 RPM.

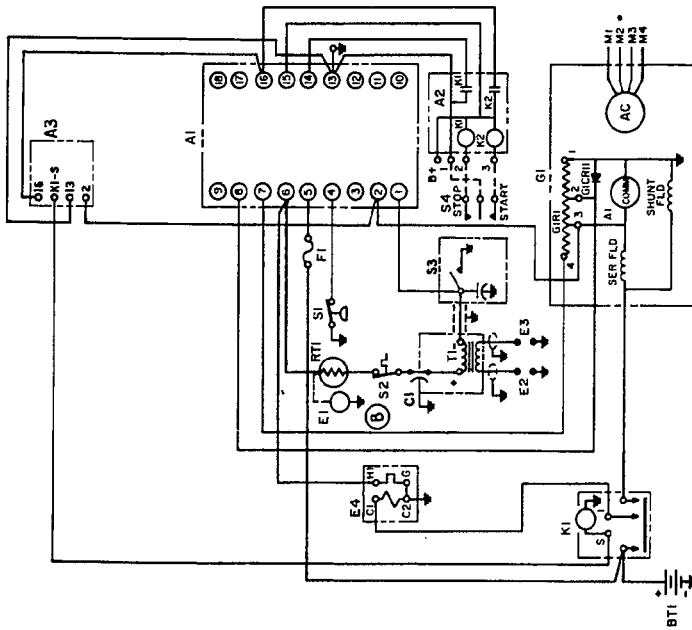
REF. DES.	QTY	PARTS LIST	DESCRIPTION
A1	1	CONTROL ASST-GEN SET	
B1	1	CONTROL-SOL RPM	
BT1	1	STARTER-SOLENOID SWITCH	
BT1	1	BATTERY-12 VOLT	
C2	1	CAPACITOR	
E1	1	CHOKE	
E2	1	FUEL PUMP	
E3, 4	2	SPARK PLUG	
G1	1	ALTERNATOR	
K1	1	GENERATOR	
S1	1	SOLENOID-START	
S2	1	BREAKER & CAP ASST	
S3	1	SWITCH-LOW OIL PRESS	
K4	1	SOLENOID - FUEL	
T1	1	COIL-IGNITION	
VRI	1	VOLTAGE REGULATOR	
W1	1	WIRING HARNESS-GEN SET	
W2	1	WIRING HARNESS-RELITE	

1601C119

DIVISION OF SULLAIR CORPORATION
 1425E-1R/5000R
 150NH-1R/5000R
 120V, 1 PH, 3 W, 60 Hz
 7-72 CDR
 CONTROL - GEN SET
 (WIRING DIAGRAM)
 611C1094

611C1096

WIRING DIAGRAM

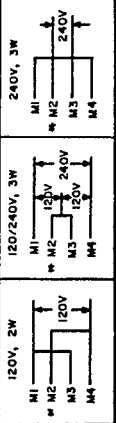


AC SLIP RINGS
 M1 M2 M3 M4
 M1 M2 M3 M4
 M1 M2 M3 M4
 M1 M2 M3 M4
 M1 M2 M3 M4
 M1 M2 M3 M4
 COMM END

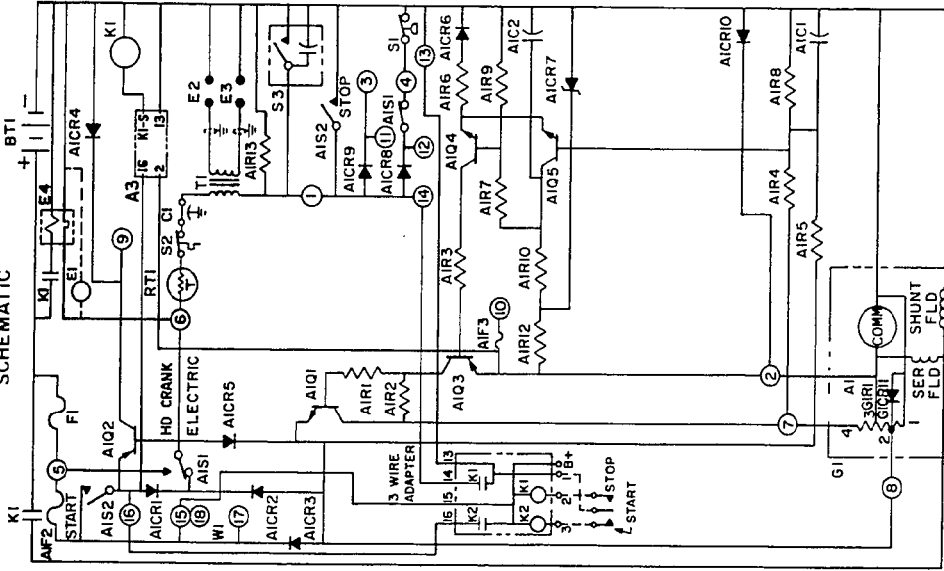
BEARING END

*** VOLTAGE CODE
 3C 120/240V, 1PH
 4 120/208V, 3PH
 M1 120/240V, 3PH
 M2 120/240V, 3PH
 M3 220/380V, 3PH
 M4 277/480V, 3PH

RECONNECTION CHART



SCHEMATIC



DASH NO	CHOKES	MODEL	WIRING HARNESS	CONTROL ASSY
-01	THERMO MAG CHOKES	MCKK	338D712	300C1002
-02	THERMO MAG CHOKES	MCKK	338D712	300C1114

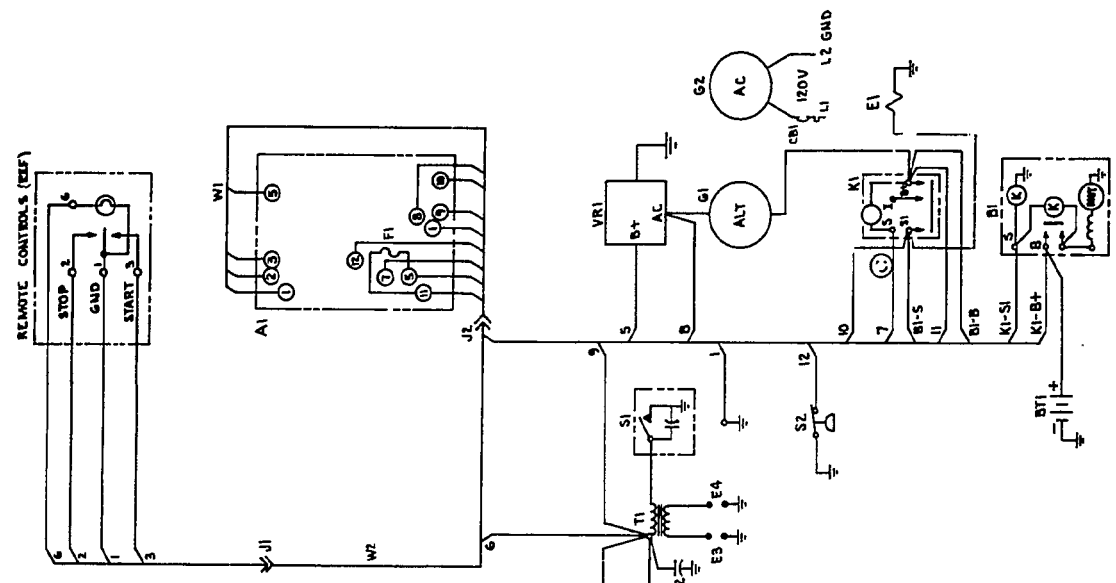
REF DES	QTY	PARTS LIST	DESCRIPTION
A1	1	CONTROL ASSY	CONTROL - GEN SET ASST
A2	1	CONTROL-START ADAPTER (4 TO 3 WIRE)	CONTROL-START ADPTR
A3	1	CONTROL-DISC ADPTR	CONTROL-DISC ADPTR
BTI	1	WIRING HARNESS	WIRING HARNESS
B1	1	LIST ENG GEN (REF)	LIST ENG GEN (REF)
C1	1	BATTERY-12 VDC	BATTERY-12 VDC
E1	1	CAPACITOR-0.1 MFD	CAPACITOR-0.1 MFD
E2	1	PUMP-FUEL, WHEN USED	PUMP-FUEL, WHEN USED
E3	1	SPARK PLUG	SPARK PLUG
E4	2	DIODE THERMO MAG	DIODE THERMO MAG
G1	1	GENERATOR	GENERATOR
K1	1	DIODE JA	DIODE JA
K2	1	RELAY-START SOLENOID	RELAY-START SOLENOID
F1	1	FUSE 3A	FUSE 3A
R1	1	RESISTOR 170Ω, 3W	RESISTOR 170Ω, 3W
S1	1	SWITCH-LOW OIL PRESS	SWITCH-LOW OIL PRESS
S2	1	SWITCH-HIGH WATER TEMP(WHEN USED)	SWITCH-HIGH WATER TEMP(WHEN USED)
S3	1	BREAKER & CAP ASSY	BREAKER & CAP ASSY
S4	1	SWITCH START STOP(CUSTOMER REMOVE)	SWITCH START STOP(CUSTOMER REMOVE)
T1	1	COIL-IGNITION	COIL-IGNITION

DIVISION OF HUGHES AIRCRAFT CORPORATION
 PART NO: 2-12-75 CDR 10/74 H 15-5
 CONTROL - GEN SET
 WIRING DIAGRAM
 611C1096

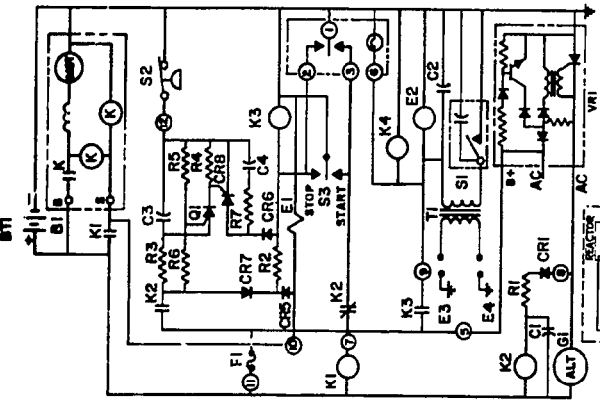
-01	4.0 & 6.5 MCKK-3CR/IE	1 PH,	60 HZ
-02	4.0 & 6.5 MCKK-3CR/IF	1 PH,	60 HZ

611-1109

WIRING DIAGRAM



SCHEMATIC



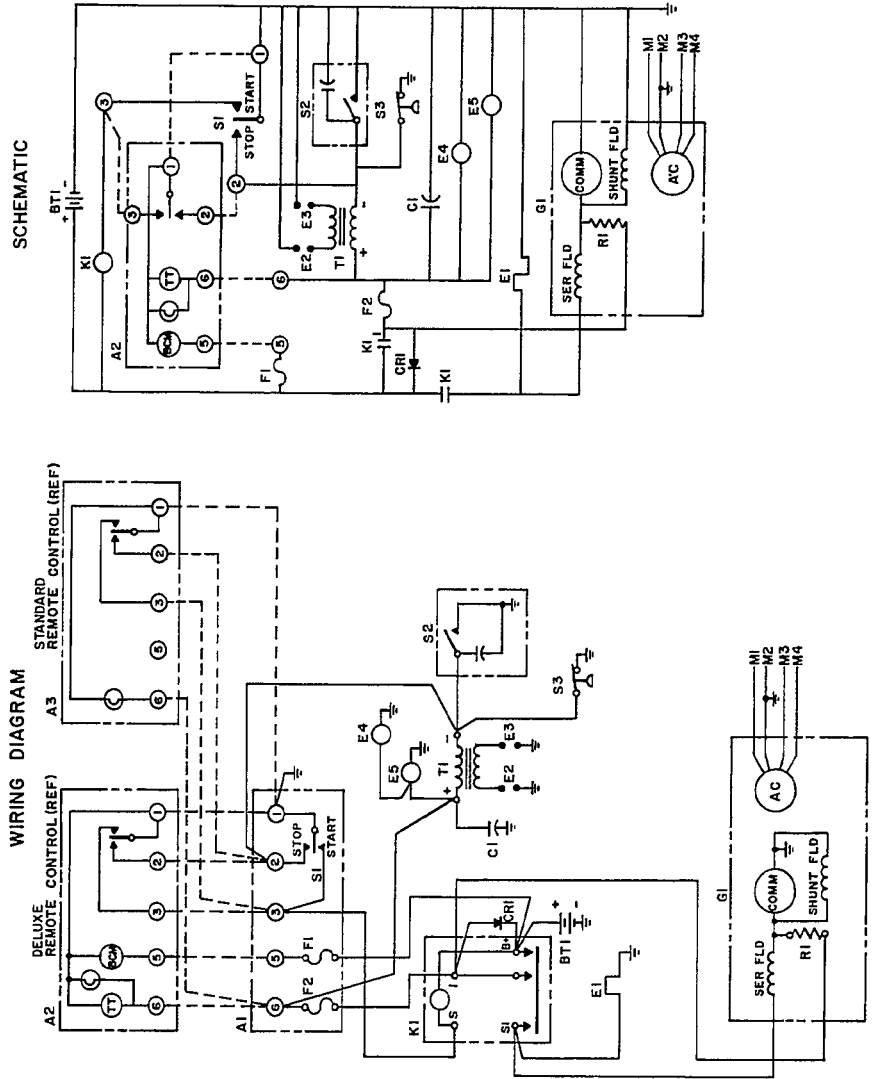
- NOTES:
1. DELUXE REMOTE CONTROL (390-0985(B)) MAY BE USED IF AN ADDITIONAL WIRE FROM TERMINAL 5 OF J2 TO TERMINAL 5 OF DELUXE REMOTE CONTROL IS ADDED.
 2. ON 4.0 HP-10, 10500A AMP & 0 HP-10/15000 J1 IS ELIMINATED AND THE OPTION WIRE FOR THE DELUXE REMOTE CONTROL IS PROVIDED.
 3. MIN START DISCONNECT = G-75 RPI.

REF. DES.	QTY	PARTS LIST	DESCRIPTION
A1	1	CONTROL ASST-GEN SET	
B1	1	CONTROL-SOL-GEN SET	
B1	1	STARTER-SOLENOID SHIF	
B1	1	BATTERY-12 VOLT	
C2	1	CAPACITOR	
E1	1	CHOKE	
E2	1	FUEL PUMP	
E3.4	2	SPARK PLUG	
G1	1	ALTERNATOR	
G2	1	GENERATOR	
K1	1	SOLENOID-START	
K4	1	SOLENOID-FUEL	
S1	1	BREAKER & CAP ASST	
S2	1	SWITCH-LOW OIL PRESS	
T1	1	COIL-IGNITION	
V1	1	VOLTAGE REGULATOR	
W1	1	WIRING HARNESS-GEN SET	
W2	1	WIRING HARNESS-REIDE	
J1	1	CONNECTOR 4 CRT	
J2	1	CONNECTOR 4 CRT	
CBI	1	CIRCUIT BREAKER (ADA 405) (SCA 6NH)	

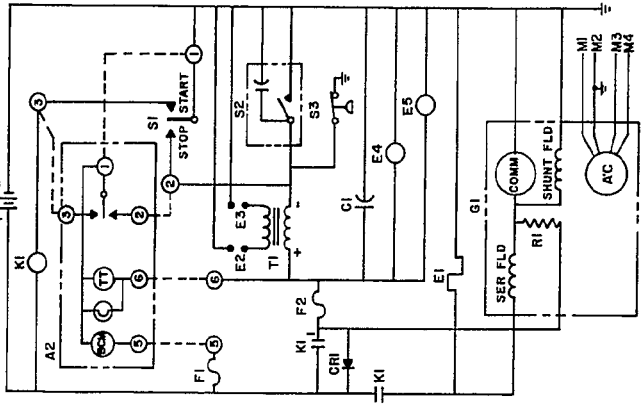
SWITCH BY ILLUMINATOR CORPORATION
 9-14-73
 CONTROL-GEN SET
 (WIRING DIAGRAM)
 4.0 HP-10/1000 B
 6.0 HP-10/1500 E
 120V, 1PH, 3W, 60 Hz
 611-1109

611-1123 C

WIRING DIAGRAM



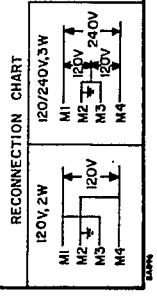
SCHEMATIC



REF. DES. SPT	DESCRIPTION
A1	CONTROL ASSY
A2	DELUXE REMOTE CONTROL (REF)
A3	STANDARD REMOTE CONTROL (REF)
BTI	BATTERY 12V
C1	CAPACITOR
CR1	DIODE ASSY (REF)
E1	CHOKE-ONAN
E2,3	2 SPARK PLUGS
E4	SOLENOID-FUEL (REF)
E5	FUEL-PUMP (REF)
F1,2	2 FUSE (9 AMP, 32 V) (REF)
G1	GENERATOR
KI	SOLENOID-START
RI	RESISTOR FIXED (REF)
S1	SWITCH-START-STOP
S2	BREAKER & CAP ASSY
S3	SWITCH-LOW OIL PRESS (REF)
T1	COIL-IGNITION
W1	WIRING HARNESS (CONN-REMOTE) (REF)
W2	WIRING HARNESS (CABLE-REMOTE CONTROL) (10 FEET LONG) (REF)
W3	WIRING HARNESS (CABLE-REMOTE CONTROL) (30 FEET LONG) (REF)

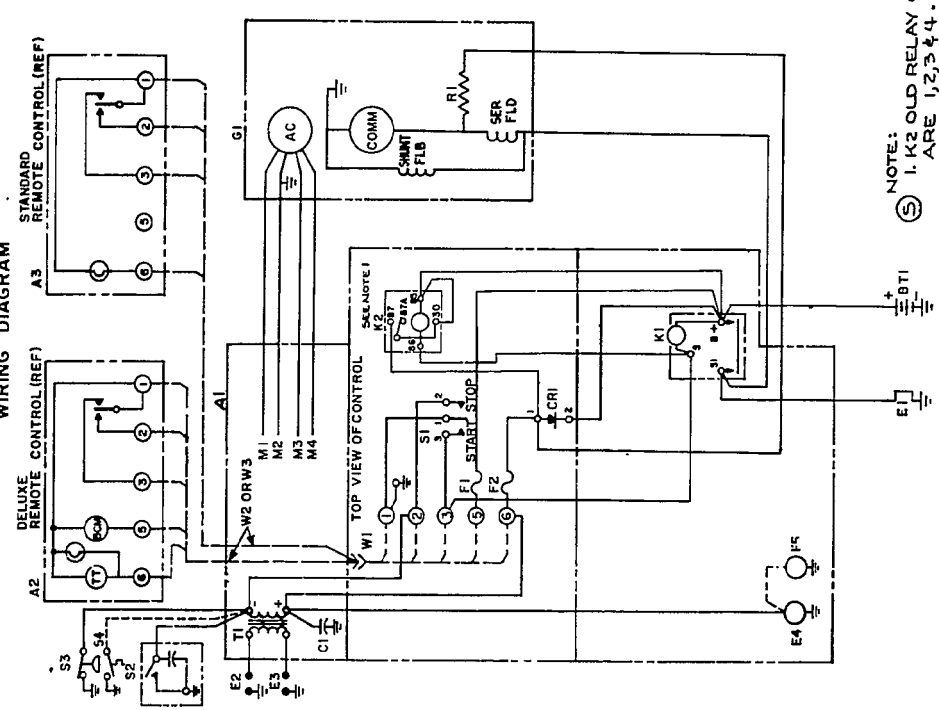
OPTION
OPTION

		DIVISION OF STURBEK CORPORATION 10000 W. 10th Ave., Denver, Colorado	
PART NO 611-1123	CIP 4-10-75	PART NO CONTROL-GEN SET (WIRING DIAGRAM)	SHEET NO 611-1123
PART NO 4.0BF-3CR16002A	PART NO 120/240V, 1PH, 4W, 60Hz	PART NO 611-1123	SHEET NO C

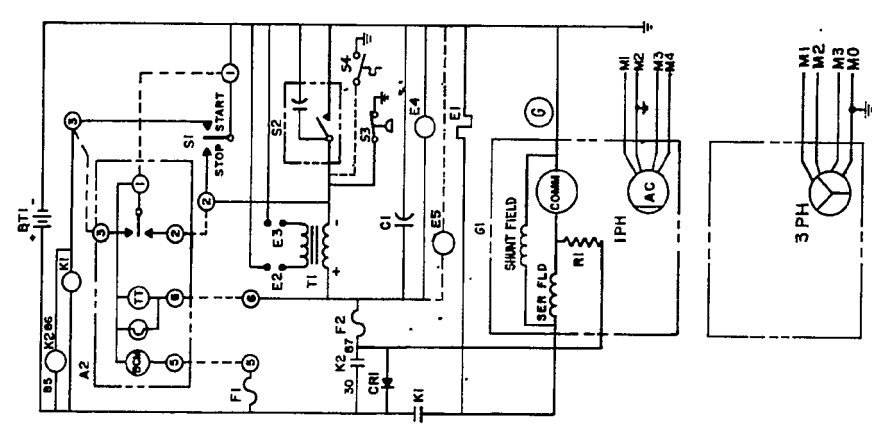


611-1127 C

WIRING DIAGRAM



SCHEMATIC



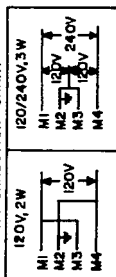
REF. NO.	QTY	DESCRIPTION
A1	1	CONTROL ASSY - 01 - 05
A2	1	CONTROL ASSY - 02
A3	1	CONTROL ASSY - 05
A4	1	CONTROL ASSY - 04
ALL PART NOS BELOW ARE REF ONLY		
A5	1	DELUXE REMOTE CONTROL
A6	1	STANDARD REMOTE CONTROL
BT1	1	BATTERY - 12V
C1	1	CAPACITOR
CRI	1	RECTIFIER
E1	1	CHOKE-ONAN
E2	2	SPARK PLUG
E3	1	FUEL PUMP
E4	1	SOLENOID - FUEL (WHEN USED)
E5	2	FUSE (5 AMP, 32V)
F1	1	GENERATOR
G1	1	SOLENOID - START
K1	1	RELAY - IGNITION
K2	1	RESISTOR - FUSED (RF)
R1	1	RESISTOR - FUSED (OHM & CCK)
S1	1	SWITCH - START - STOP
S2	1	BREAKER & CAP ASSY
S3	1	SWITCH - LOW OIL PRESS
S4	1	SWITCH - HIGH AIR TEMP
T1	1	COIL - IGNITION
W1	1	WIRING HARNESS (CONN - REMOTE)
W2	1	WIRING HARNESS (CABLE - REMOTE CONTROL) (10 FEET LONG)
W3	1	WIRING HARNESS (CABLE - REMOTE CONTROL) (30 FEET LONG)

* WHEN USED

-05	5-6.5 CCK-NH 3 CR/16000
-04	4.0 BF-8R/16000B (27/220V, 3PH, 4W, 60Hz)
M3	5.0 CCK-4P/1808PU (70 7W, 2PH, 2W, 50Hz)
-02	4.2 CCK-57R/1600IU 220/380V, 3PH, 4W, 50Hz
-01	4.0 CR-3CR/16000 A 5.0 CCK-3CR/16004 6.5 NH-3CR/16004-J 120/240V, 1PH, 4W, 60Hz

NOTE: 1. K2 OLD RELAY CONNECTIONS ARE 1, 2, 3 & 4.
#1 WOULD BE THE SAME AS #85
#2 WOULD BE THE SAME AS #30
#3 WOULD BE THE SAME AS #86
#4 WOULD BE THE SAME AS #87

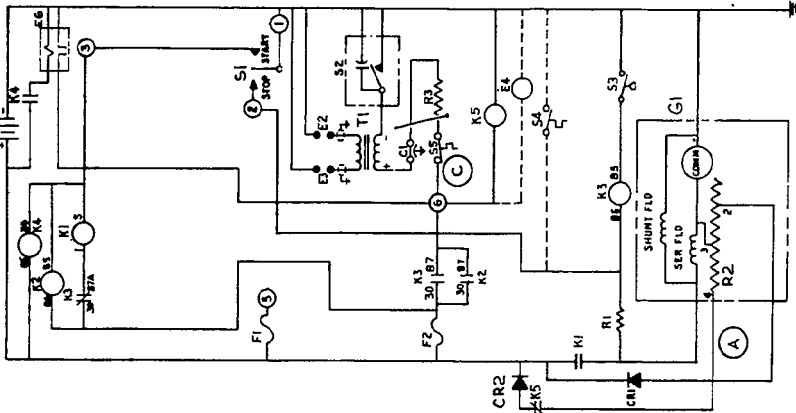
RECONNECTION CHART



611-1127	611-1130
CONTROL-GEN SET (WIRING DIAGRAM)	611-1127

611-1143

SCHEMATIC 98-3430
BT1



REF DES	QTY	PARTS LIST	DESCRIPTION
AI	1	CONTROL ASSY	
ALL PART NOS LISTED BELOW ARE REF ONLY			
BT1	1	BATTERY - 12V	
CI	1	CAPACITOR	
CR1-2	2	RECTIFIER (DATT. CHARGING)	
E2-3	2	SPARK - PLUG	
E4	1	FUEL PUMP	
F1-2	2	FUSE HOLDER	
G1	2	FUSE - 5 AMP 32V	
K1	1	GENERATOR	
K2	1	START SOLENOID	
K3	1	RELAY - CRANK IGNITION	
R1	1	RELAY - RUN IGNITION	
R2	1	RESISTOR - 100 OHM .5W	
K4	1	RELAY - CHARGE	
K5	1	RELAY ASSY	
S1	1	SWITCH - START STOP	
S2	1	SWITCH - BREAKER & CAP ASST.	
S3	1	SWITCH - LOW OIL PRESS.	
TB1	1	COIL - IGNITION	
	1	TERMINAL BLOCK	
S4	1	SILKSCREEN - WD. (REF)	
S5	1	SWITCH-HIGH AIR TEMP.	
	1	SWITCH-HIGH WATER TEMP.	
E6	1	CHOKE - THERMO. MAG.	
TB2	1	TERMINAL BLOCK	
R3	1	STRIP-MARKER	
	1	RESISTOR-HYGENEO 172 OHM .25 W	

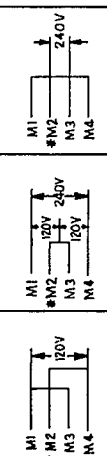
NOTE:
1. TB1-5 IS FORB. OR REMOTE BATTERY CONDITION. METER
TB1-6 IS FOR A REMOTE RUNNING TIME METER OR
RUNNING LIGHT.

DASH NO	CHOICE	MAG	MCCCK	CONTROL ASSY
-01	THERMO	MAG	MCCCK	300-1645 (D)

- ## VOLTAGE CODE
 3C 120/240V, 1PH
 4 120/208V, 3PH
 5D 120/380V, 3PH
 7 220/380V, 3PH
 4X 277/480V, 3PH
 7X 240/415V, 3PH

AC SLIP RING	M1	M2	M3	M4
M1	M1	M1	M1	M1
M2	M2	M2	M2	M2
M3	M3	M3	M3	M3
M4	M4	M4	M4	M4

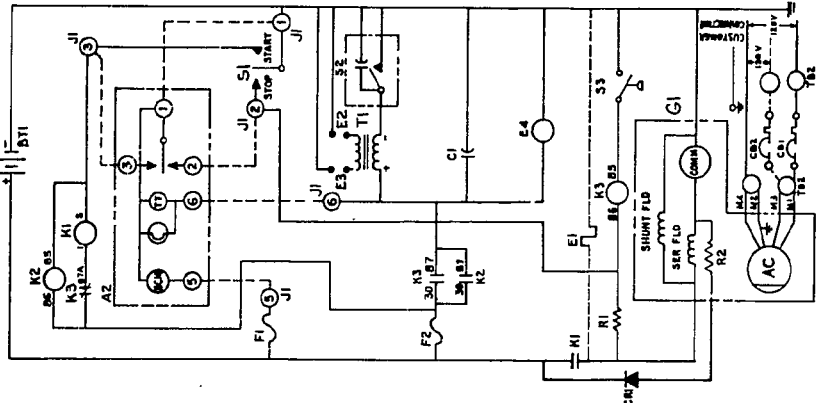
RECONNECTION CHART 1PH 4W



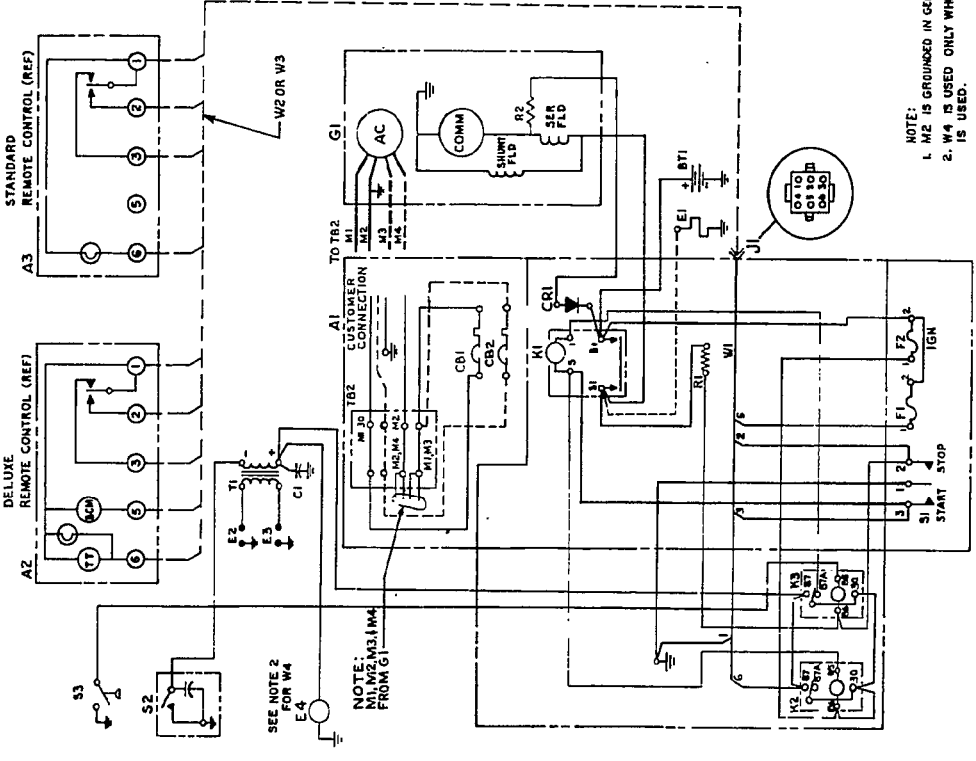
DIVISION OF OGE CORPORATION
 Oklahoma City, Oklahoma
 12-21-77 DAY 10/11/77 GCR
 CONTROL - GEN SET
 (WIRING DIAGRAM)
 611-1143

REF DES	QTY	DESCRIPTION
A1	1	CONTROL UNIT (CUI) 30 AMP
A2	1	CONTROL ASSY (-02) 120V (1) 30 AMP
A3	1	CONTROL ASSY (-03) 2) 30 AMP
A4	1	DELUXE REMOTE CONTROL
A5	1	STANDARD REMOTE CONTROL
B1	1	RELAY - CRANK LIGHT
B2	1	RELAY - RUN LIGHT
C1	1	RECTIFIER (BATT. CHARGING)
E1	1	COIL - OHM (NOT USED WITH LPO)
E2	2	SPARK PLUG
E4	1	FUEL PUMP OR SHUTOFF/FILTER-LPG
F1	2	FUSE HOLDER
F2	2	FUSE - 5 AMP 32V
G1	1	GENERATOR
K1	1	START SOLENOID
K2	1	RELAY - CRANK LIGHT
K3	1	RELAY - RUN LIGHT
R1	1	RESISTOR - 150 OHM 5W
R2	1	RESISTOR
J1	1	SOCKET PLUG-REMOTE
S1	1	SWITCH - START STOP
S2	1	SWITCH - BREAKER & CAP ASSY
S3	1	SWITCH - LOW OIL PRESS
T1	1	COIL - IGNITION
TB2	1	TERMINAL BOARD
	1	SILKSCREEN - SCHEMATIC
CB1/CB2	1	CIRCUIT BREAKER 30 AMP/51-05-02
CB2	1	CIRCUIT BREAKER 20 AMP/02
W1	1	WIRING HARNESS (CONVENTIONAL)
W2	1	WIRING HARNESS (REMOTE)
W3	1	CONTROL TO FEET LONG
W4	1	WIRING HARNESS (CABLE-REMOTE)
W4	1	CONTROL 130 FEET LONG
W4	1	LEAD ASSY (SHUTOFF/FILTER ONLY)

SCHEMATIC



WIRING DIAGRAM



611-1146

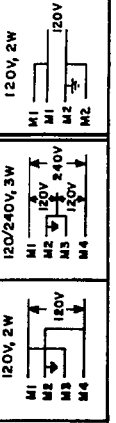
SEE NOTE 2 FOR W4 E4

NOTE: M1, M2, M3, M4 FROM G1

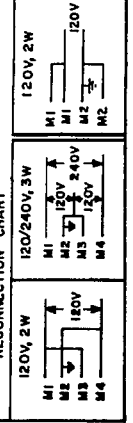
WHEN USED
 THIS DOCUMENT SUBJECT TO FOLLOWING STANDARDS/CONSTRAINTS:
 MIL-STD-883C
 TO MAINTAIN THIS COMPLIANCE, NO CHANGES OR MODIFICATIONS TO BE MADE W/O APPROVAL OF QUALITY CONTROL
 DATE: 12-27-79
 BY: JTB

NOTE:
 1. M2 IS GROUNDED IN GENERATOR
 2. W4 IS USED ONLY WHEN SHUTOFF/FILTER IS USED.

5. OBGA, 6.5 NH RECONNECTION CHART

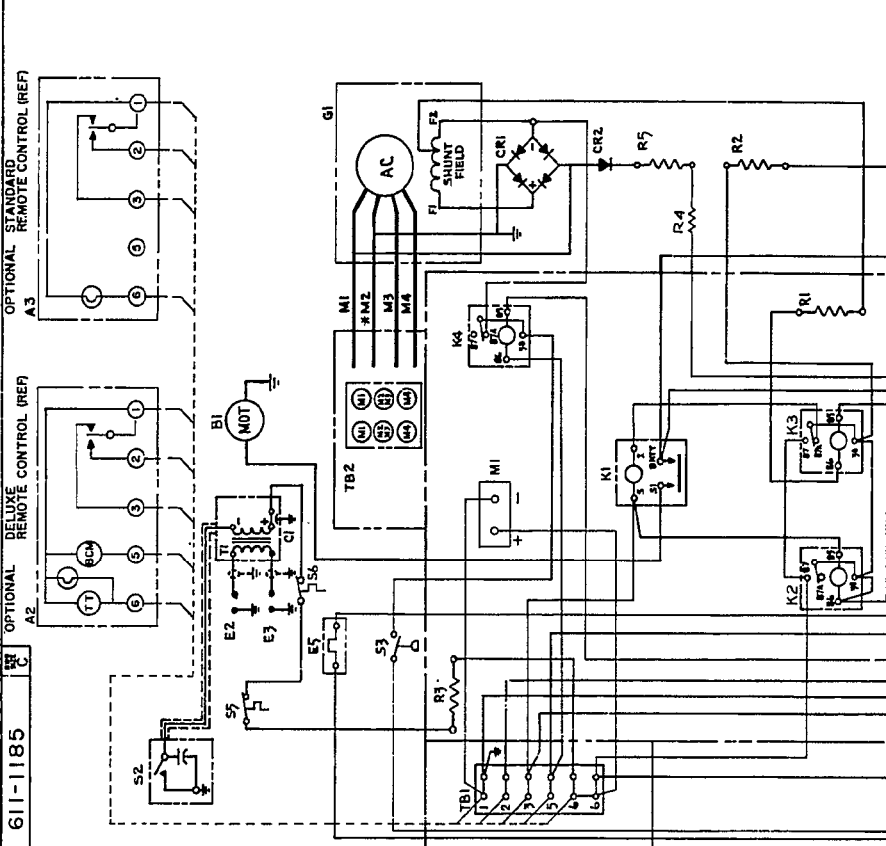
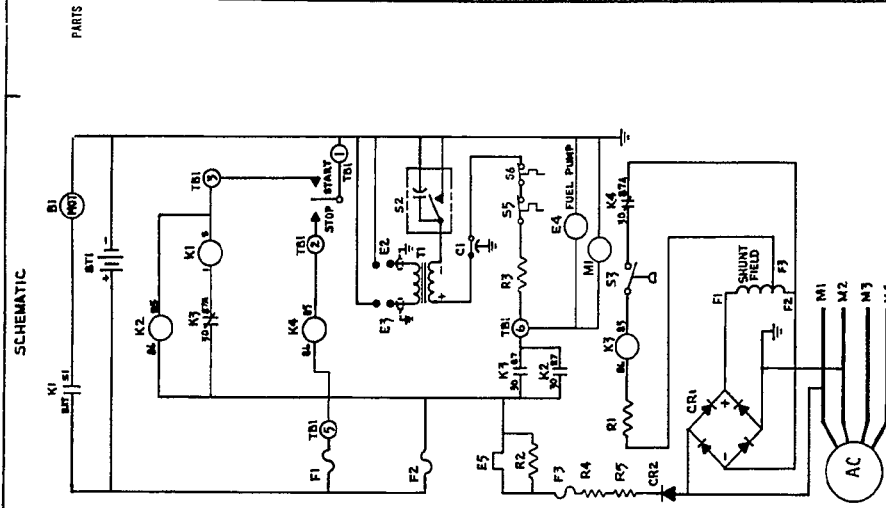


4.0 BFA



OMRON
 DIVISION OF OMM CORPORATION
 Minneapolis, Minnesota
 9-22-79
 CONTROL-GEN SET (WIRING DIAGRAM)
 611-1146

REF DES	PARTS LIST	DESCRIPTION
	1	CONTROL ASST
	1	CONTROL
	1	BATTERY 12V
	1	MOTOR-STARTER
	1	CONDENSER ASSY (ALUMINUM, 100 VDC)
	1	RECTIFIER-BRIDGE
	1	RECTIFIER-SILICON (6-12A, 280V)
	2	PLUG-SPARK
	1	PUMP-FUEL
	1	CHOKE-ELECT (ONAN)
	3	FUSE-5 AMP, 32V
	3	HOLDER-FUSE
		GENERATOR
	1	RELAY-START SENSIBLD
	1	RELAY-CHUNK IGNITION
	1	RELAY-STOP
	1	METER-RUNNING TIME
	1	RESISTOR-100 Ω, 5W
	1	RESISTOR-10 Ω, 5W
	2	RESISTOR-INTEND : 72 Ω, 25W
	2	RESISTOR-5 Ω, 25W
	1	SWITCH-START STOP
	1	SWITCH-BREAKER & CAP ASST
	1	SWITCH-LOW OIL PRESSURE
	1	SWITCH-HIGH WATER TEMP
	1	SWITCH-HIGH EXH TEMP
	1	COIL-IGNITION
	1	TERMINAL BLOCK
	1	MARKER STRIP
	1	TERMINAL BLOCK
	1	MARKER STRIP
	1	CONTROL-DELUXE REMOTE
	1	CONTROL-REMOTE (STANDARD)



611-1185	OPTIONAL STANDARD REMOTE CONTROL (REF)	A3
611-1185	OPTIONAL DELUXE REMOTE CONTROL (REF)	A2

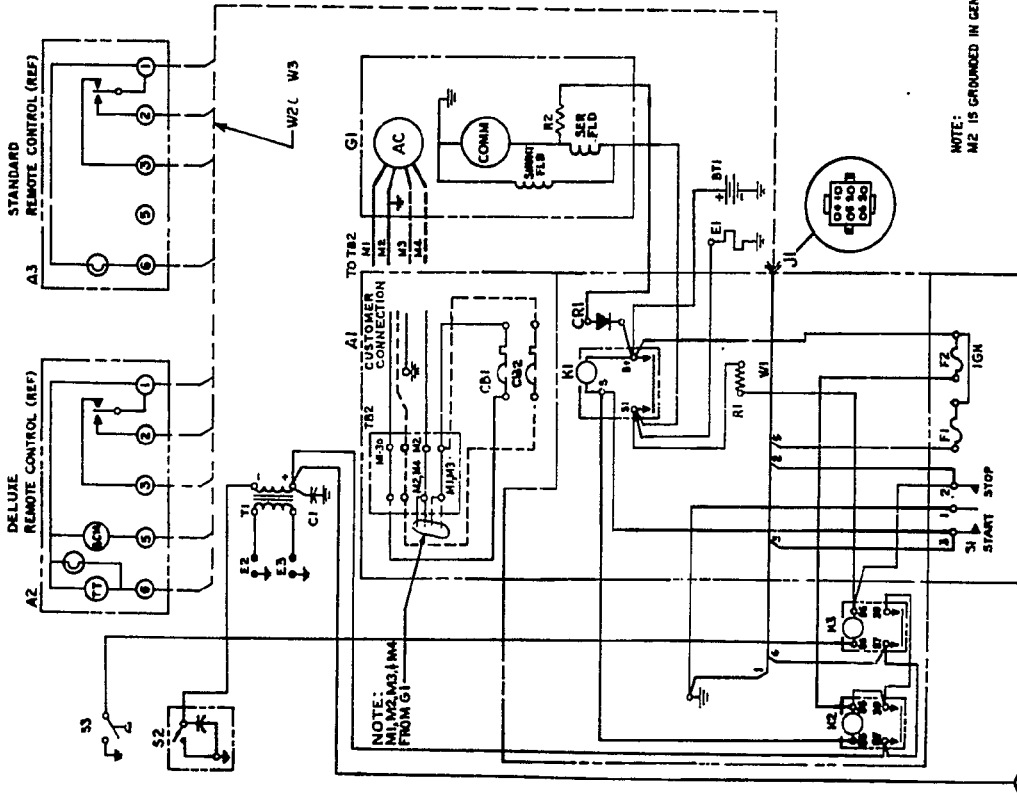
611-1185	OPTIONAL STANDARD REMOTE CONTROL (REF)	A3
611-1185	OPTIONAL DELUXE REMOTE CONTROL (REF)	A2

611-1185	OPTIONAL STANDARD REMOTE CONTROL (REF)	A3
611-1185	OPTIONAL DELUXE REMOTE CONTROL (REF)	A2

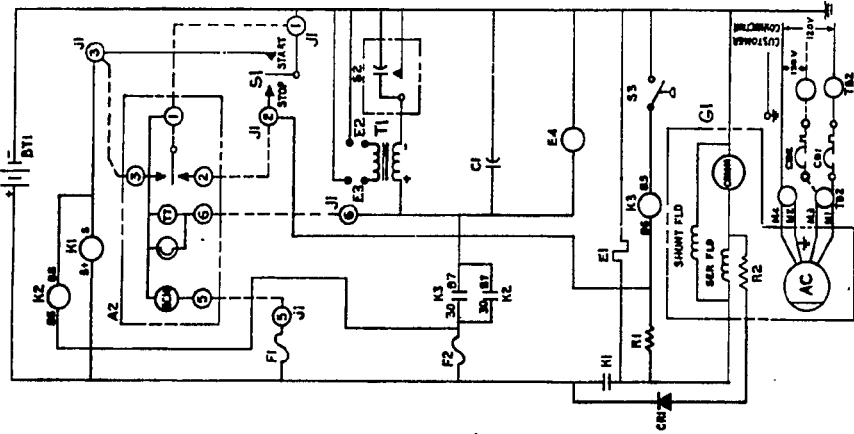
611-1185	OPTIONAL STANDARD REMOTE CONTROL (REF)	A3
611-1185	OPTIONAL DELUXE REMOTE CONTROL (REF)	A2

611-1135

WIRING DIAGRAM



SCHEMATIC



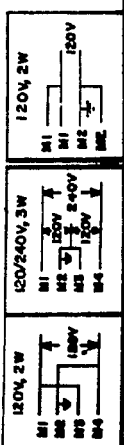
PARTS LIST

REF DES	PART NO	QTY	DESCRIPTION
A1	300-1601	1	CONTROL ASSY (C-1) 20 AMP
D1	300-1602	1	CONTROL ASSY (C-2) 10 AMP
D2	300-1603	1	CONTROL ASSY (C-3) 5 AMP
ALL PART NOS LISTED BELOW ARE REF ONLY			
A2	310-0818	1	DELUXE REMOTE CONTROL
A3	310-0819	1	STANDARD REMOTE CONTROL
B1	312-0860	1	BATTERY
C1	317-0860	1	FUSE
CRA	357-0030	1	RECTIFIER (BATT. CHARGING)
E1		1	DIODE - MAIN
E2		1	DIODE - PUMP
E3	143-1542	1	FUEL PUMP
F1	321-0113	1	FUSE HOLDER
F2	321-0114	1	FUSE - 5 AMP 32V
G1	327-1408	1	GENERATOR
K1	327-1408	1	START SOLENOID
K2	327-1409	1	RELAY - CHARG. IGNITION
K3	327-1410	1	RELAY - RUN IGNITION
R1	324-0431	1	RESISTOR - 150 OHM 5W
R2		1	RESISTOR
J1	333-0440	1	SOCKET PLUG-REMOTE
S1	398-0813	1	SWITCH - START STOP
S2		1	SWITCH - BREAKER & CIP ASST
S3		1	SWITCH - LOW OIL PRESS
T1	181-0813	1	COIL - IGNITION
TB2	332-0029	1	TERMINAL BOARD
W1	332-0029	1	WIRING HARNESS (W-1)
W2	332-0029	1	WIRING HARNESS (W-2)
W3	332-0029	1	WIRING HARNESS (W-3)
W4	332-0029	1	WIRING HARNESS (W-4)
W5	332-0029	1	WIRING HARNESS (W-5)
W6	332-0029	1	WIRING HARNESS (W-6)
W7	332-0029	1	WIRING HARNESS (W-7)
W8	332-0029	1	WIRING HARNESS (W-8)
W9	332-0029	1	WIRING HARNESS (W-9)
W10	332-0029	1	WIRING HARNESS (W-10)
W11	332-0029	1	WIRING HARNESS (W-11)
W12	332-0029	1	WIRING HARNESS (W-12)
W13	332-0029	1	WIRING HARNESS (W-13)
W14	332-0029	1	WIRING HARNESS (W-14)
W15	332-0029	1	WIRING HARNESS (W-15)
W16	332-0029	1	WIRING HARNESS (W-16)
W17	332-0029	1	WIRING HARNESS (W-17)
W18	332-0029	1	WIRING HARNESS (W-18)
W19	332-0029	1	WIRING HARNESS (W-19)
W20	332-0029	1	WIRING HARNESS (W-20)
W21	332-0029	1	WIRING HARNESS (W-21)
W22	332-0029	1	WIRING HARNESS (W-22)
W23	332-0029	1	WIRING HARNESS (W-23)
W24	332-0029	1	WIRING HARNESS (W-24)
W25	332-0029	1	WIRING HARNESS (W-25)
W26	332-0029	1	WIRING HARNESS (W-26)
W27	332-0029	1	WIRING HARNESS (W-27)
W28	332-0029	1	WIRING HARNESS (W-28)
W29	332-0029	1	WIRING HARNESS (W-29)
W30	332-0029	1	WIRING HARNESS (W-30)
W31	332-0029	1	WIRING HARNESS (W-31)
W32	332-0029	1	WIRING HARNESS (W-32)
W33	332-0029	1	WIRING HARNESS (W-33)
W34	332-0029	1	WIRING HARNESS (W-34)
W35	332-0029	1	WIRING HARNESS (W-35)
W36	332-0029	1	WIRING HARNESS (W-36)
W37	332-0029	1	WIRING HARNESS (W-37)
W38	332-0029	1	WIRING HARNESS (W-38)
W39	332-0029	1	WIRING HARNESS (W-39)
W40	332-0029	1	WIRING HARNESS (W-40)
W41	332-0029	1	WIRING HARNESS (W-41)
W42	332-0029	1	WIRING HARNESS (W-42)
W43	332-0029	1	WIRING HARNESS (W-43)
W44	332-0029	1	WIRING HARNESS (W-44)
W45	332-0029	1	WIRING HARNESS (W-45)
W46	332-0029	1	WIRING HARNESS (W-46)
W47	332-0029	1	WIRING HARNESS (W-47)
W48	332-0029	1	WIRING HARNESS (W-48)
W49	332-0029	1	WIRING HARNESS (W-49)
W50	332-0029	1	WIRING HARNESS (W-50)
W51	332-0029	1	WIRING HARNESS (W-51)
W52	332-0029	1	WIRING HARNESS (W-52)
W53	332-0029	1	WIRING HARNESS (W-53)
W54	332-0029	1	WIRING HARNESS (W-54)
W55	332-0029	1	WIRING HARNESS (W-55)
W56	332-0029	1	WIRING HARNESS (W-56)
W57	332-0029	1	WIRING HARNESS (W-57)
W58	332-0029	1	WIRING HARNESS (W-58)
W59	332-0029	1	WIRING HARNESS (W-59)
W60	332-0029	1	WIRING HARNESS (W-60)
W61	332-0029	1	WIRING HARNESS (W-61)
W62	332-0029	1	WIRING HARNESS (W-62)
W63	332-0029	1	WIRING HARNESS (W-63)
W64	332-0029	1	WIRING HARNESS (W-64)
W65	332-0029	1	WIRING HARNESS (W-65)
W66	332-0029	1	WIRING HARNESS (W-66)
W67	332-0029	1	WIRING HARNESS (W-67)
W68	332-0029	1	WIRING HARNESS (W-68)
W69	332-0029	1	WIRING HARNESS (W-69)
W70	332-0029	1	WIRING HARNESS (W-70)
W71	332-0029	1	WIRING HARNESS (W-71)
W72	332-0029	1	WIRING HARNESS (W-72)
W73	332-0029	1	WIRING HARNESS (W-73)
W74	332-0029	1	WIRING HARNESS (W-74)
W75	332-0029	1	WIRING HARNESS (W-75)
W76	332-0029	1	WIRING HARNESS (W-76)
W77	332-0029	1	WIRING HARNESS (W-77)
W78	332-0029	1	WIRING HARNESS (W-78)
W79	332-0029	1	WIRING HARNESS (W-79)
W80	332-0029	1	WIRING HARNESS (W-80)
W81	332-0029	1	WIRING HARNESS (W-81)
W82	332-0029	1	WIRING HARNESS (W-82)
W83	332-0029	1	WIRING HARNESS (W-83)
W84	332-0029	1	WIRING HARNESS (W-84)
W85	332-0029	1	WIRING HARNESS (W-85)
W86	332-0029	1	WIRING HARNESS (W-86)
W87	332-0029	1	WIRING HARNESS (W-87)
W88	332-0029	1	WIRING HARNESS (W-88)
W89	332-0029	1	WIRING HARNESS (W-89)
W90	332-0029	1	WIRING HARNESS (W-90)
W91	332-0029	1	WIRING HARNESS (W-91)
W92	332-0029	1	WIRING HARNESS (W-92)
W93	332-0029	1	WIRING HARNESS (W-93)
W94	332-0029	1	WIRING HARNESS (W-94)
W95	332-0029	1	WIRING HARNESS (W-95)
W96	332-0029	1	WIRING HARNESS (W-96)
W97	332-0029	1	WIRING HARNESS (W-97)
W98	332-0029	1	WIRING HARNESS (W-98)
W99	332-0029	1	WIRING HARNESS (W-99)
W100	332-0029	1	WIRING HARNESS (W-100)

WHEN USED

NOTE: M2 IS GROUNDED IN GENERATOR

5.0BGA, 6.5 NH RECONNECTION CHART



4.0 BFA



4.0 BFA - IR / 18000A 1PM 2W 60 Hz

5.0 BGA - 368/16000A 1PM 2W 60 Hz

6.5 NH - 3CR/16000A 1PM 4W 120/240V 60 Hz

611-1135

611-1135

611-1135

611-1145

OPTIONAL STANDARD REMOTE CONTROL (REF)

OPTIONAL DELUXE REMOTE CONTROL (REF)

611-1145

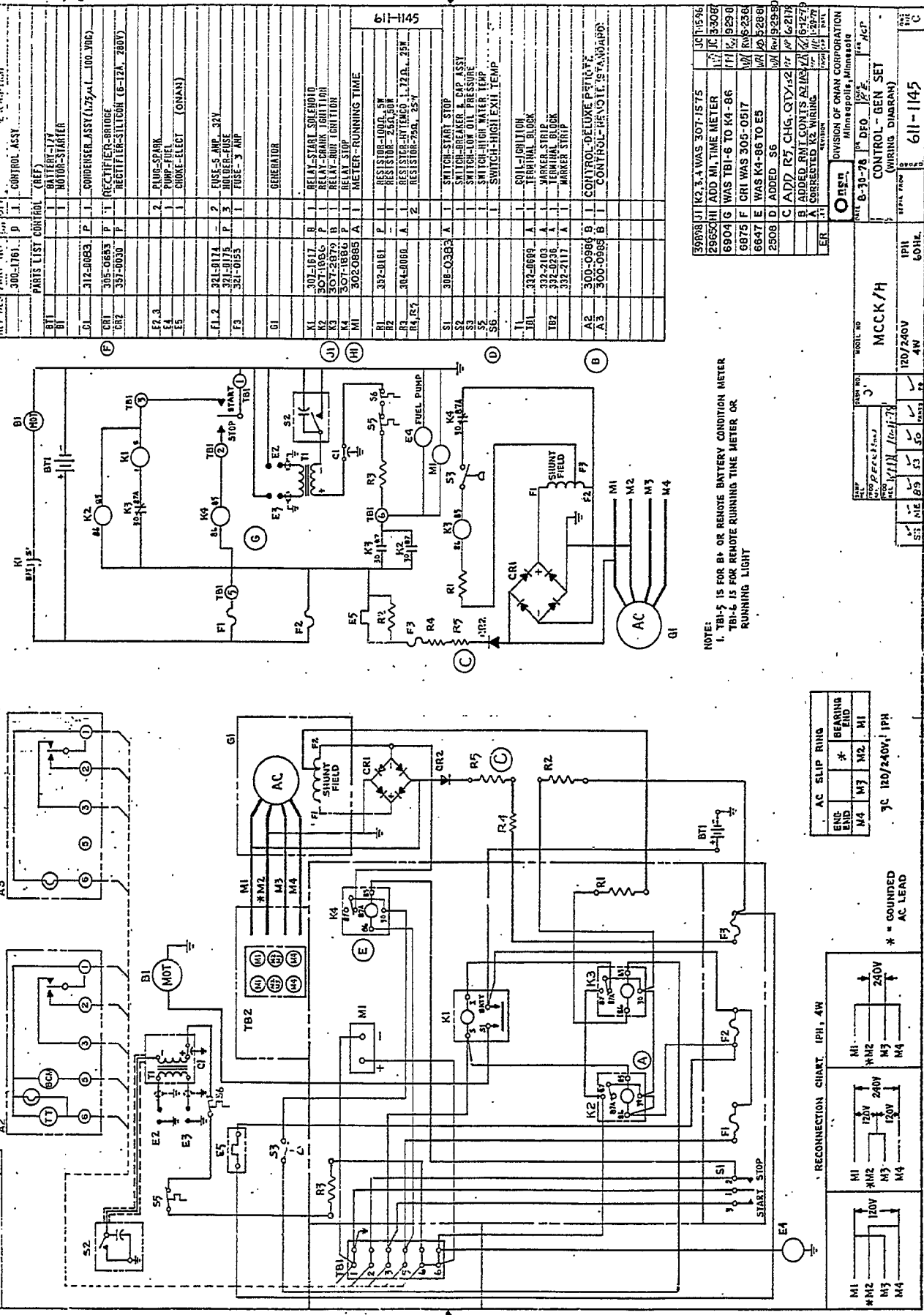
OPTIONAL STANDARD REMOTE CONTROL (REF)

OPTIONAL DELUXE REMOTE CONTROL (REF)

611-1145

OPTIONAL STANDARD REMOTE CONTROL (REF)

OPTIONAL DELUXE REMOTE CONTROL (REF)



SCHMATIC

611-1145

OPTIONAL STANDARD REMOTE CONTROL (REF)

OPTIONAL DELUXE REMOTE CONTROL (REF)

611-1145

OPTIONAL STANDARD REMOTE CONTROL (REF)

OPTIONAL DELUXE REMOTE CONTROL (REF)

REF. DES.	PART NO.	QTY.	DESCRIPTION	REF.
B1	300-1761	1	CONTROL ASSY	
B1			BATTERY-177	
B1			MOTOR-STARTER	
C1	312-0083	1	CONDENSER ASSY (125x11...100 VDC)	
C1	305-0853	1	RECTIFIER-BRIDGE	
C2	357-0030	1	RECTIFIER-SILICON (6-12A, 280V)	
E2, E3, E4, E5			PUMP-FUEL	
E2, E3, E4, E5			CHOKE-ELECT (ONAN)	
F1, F2, F3	321-0174	1	FUSE-5 AMP, 37V	
F1, F2, F3	321-0175	1	HOLDER-FUSE	
F1, F2, F3	521-0153	1	FUSE-3 AMP	
G1			GENERATOR	
K1, K2, K3, K4, K5, K6, K7, K8, K9	302-1017	1	RELAY-START STOP	
K1, K2, K3, K4, K5, K6, K7, K8, K9	302-1018	1	RELAY-RUN STOP	
K1, K2, K3, K4, K5, K6, K7, K8, K9	302-1019	1	RELAY-RUN STOP	
K1, K2, K3, K4, K5, K6, K7, K8, K9	302-1020	1	RELAY-RUN STOP	
M1, M2, M3, M4	302-0885	1	METER-RUNNING TIME	
R1, R2, R3, R4, R5, R6, R7, R8, R9	302-0181	1	RESISTOR 100 OHM 5W	
R1, R2, R3, R4, R5, R6, R7, R8, R9	302-0182	1	RESISTOR 100 OHM 5W	
R1, R2, R3, R4, R5, R6, R7, R8, R9	302-0183	1	RESISTOR 100 OHM 5W	
R1, R2, R3, R4, R5, R6, R7, R8, R9	302-0184	1	RESISTOR 100 OHM 5W	
S1, S2, S3, S4, S5, S6	308-0383	1	SWITCH-START STOP	
S1, S2, S3, S4, S5, S6			SWITCH-BREAKER 3 CAP ASSY	
S1, S2, S3, S4, S5, S6			SWITCH-LOW OIL PRESSURE	
S1, S2, S3, S4, S5, S6			SWITCH-HIGH WATER TEMP	
S1, S2, S3, S4, S5, S6			SWITCH-HIGH EXHAUST TEMP	
T1, T2, T3, T4, T5, T6, T7, T8, T9	302-0089	1	COIL-INDUCTION	
T1, T2, T3, T4, T5, T6, T7, T8, T9	302-2100	1	TERMINAL-BLOCK	
T1, T2, T3, T4, T5, T6, T7, T8, T9	302-2101	1	TERMINAL-BLOCK	
T1, T2, T3, T4, T5, T6, T7, T8, T9	302-2102	1	TERMINAL-BLOCK	
T1, T2, T3, T4, T5, T6, T7, T8, T9	302-2103	1	TERMINAL-BLOCK	
T1, T2, T3, T4, T5, T6, T7, T8, T9	302-2104	1	TERMINAL-BLOCK	
A2, A3	300-0909	1	CONTROL-DELUXE REMOTE	
A2, A3	300-0909	1	CONTROL-DELUXE REMOTE	

611-1145

OPTIONAL STANDARD REMOTE CONTROL (REF)

OPTIONAL DELUXE REMOTE CONTROL (REF)

611-1145

OPTIONAL STANDARD REMOTE CONTROL (REF)

OPTIONAL DELUXE REMOTE CONTROL (REF)

611-1145

OPTIONAL STANDARD REMOTE CONTROL (REF)

OPTIONAL DELUXE REMOTE CONTROL (REF)

611-1145

OPTIONAL STANDARD REMOTE CONTROL (REF)

OPTIONAL DELUXE REMOTE CONTROL (REF)

REF. DES.	PART NO.	QTY.	DESCRIPTION	REF.
J1	300-1761	1	CONTROL ASSY	
J1			BATTERY-177	
J1			MOTOR-STARTER	
J1	312-0083	1	CONDENSER ASSY (125x11...100 VDC)	
J1	305-0853	1	RECTIFIER-BRIDGE	
J1	357-0030	1	RECTIFIER-SILICON (6-12A, 280V)	
J1			PUMP-FUEL	
J1			CHOKE-ELECT (ONAN)	
J1	321-0174	1	FUSE-5 AMP, 37V	
J1	321-0175	1	HOLDER-FUSE	
J1	521-0153	1	FUSE-3 AMP	
J1			GENERATOR	
J1	302-1017	1	RELAY-START STOP	
J1	302-1018	1	RELAY-RUN STOP	
J1	302-1019	1	RELAY-RUN STOP	
J1	302-1020	1	RELAY-RUN STOP	
J1	302-0885	1	METER-RUNNING TIME	
J1	302-0181	1	RESISTOR 100 OHM 5W	
J1	302-0182	1	RESISTOR 100 OHM 5W	
J1	302-0183	1	RESISTOR 100 OHM 5W	
J1	302-0184	1	RESISTOR 100 OHM 5W	
J1	308-0383	1	SWITCH-START STOP	
J1			SWITCH-BREAKER 3 CAP ASSY	
J1			SWITCH-LOW OIL PRESSURE	
J1			SWITCH-HIGH WATER TEMP	
J1			SWITCH-HIGH EXHAUST TEMP	
J1	302-0089	1	COIL-INDUCTION	
J1	302-2100	1	TERMINAL-BLOCK	
J1	302-2101	1	TERMINAL-BLOCK	
J1	302-2102	1	TERMINAL-BLOCK	
J1	302-2103	1	TERMINAL-BLOCK	
J1	302-2104	1	TERMINAL-BLOCK	
J1	300-0909	1	CONTROL-DELUXE REMOTE	
J1	300-0909	1	CONTROL-DELUXE REMOTE	

611-1145

OPTIONAL STANDARD REMOTE CONTROL (REF)

OPTIONAL DELUXE REMOTE CONTROL (REF)

611-1145

OPTIONAL STANDARD REMOTE CONTROL (REF)

OPTIONAL DELUXE REMOTE CONTROL (REF)

611-1145

OPTIONAL STANDARD REMOTE CONTROL (REF)

OPTIONAL DELUXE REMOTE CONTROL (REF)

611-1145

OPTIONAL STANDARD REMOTE CONTROL (REF)

OPTIONAL DELUXE REMOTE CONTROL (REF)

REF. DES.	PART NO.	QTY.	DESCRIPTION	REF.
J1	300-1761	1	CONTROL ASSY	
J1			BATTERY-177	
J1			MOTOR-STARTER	
J1	312-0083	1	CONDENSER ASSY (125x11...100 VDC)	
J1	305-0853	1	RECTIFIER-BRIDGE	
J1	357-0030	1	RECTIFIER-SILICON (6-12A, 280V)	
J1			PUMP-FUEL	
J1			CHOKE-ELECT (ONAN)	
J1	321-0174	1	FUSE-5 AMP, 37V	
J1	321-0175	1	HOLDER-FUSE	
J1	521-0153	1	FUSE-3 AMP	
J1			GENERATOR	
J1	302-1017	1	RELAY-START STOP	
J1	302-1018	1	RELAY-RUN STOP	
J1	302-1019	1	RELAY-RUN STOP	
J1	302-1020	1	RELAY-RUN STOP	
J1	302-0885	1	METER-RUNNING TIME	
J1	302-0181	1	RESISTOR 100 OHM 5W	
J1	302-0182	1	RESISTOR 100 OHM 5W	
J1	302-0183	1	RESISTOR 100 OHM 5W	
J1	302-0184	1	RESISTOR 100 OHM 5W	
J1	308-0383	1	SWITCH-START STOP	
J1			SWITCH-BREAKER 3 CAP ASSY	
J1			SWITCH-LOW OIL PRESSURE	
J1			SWITCH-HIGH WATER TEMP	
J1			SWITCH-HIGH EXHAUST TEMP	
J1	302-0089	1	COIL-INDUCTION	
J1	302-2100	1	TERMINAL-BLOCK	
J1	302-2101	1	TERMINAL-BLOCK	
J1	302-2102	1	TERMINAL-BLOCK	
J1	302-2103	1	TERMINAL-BLOCK	
J1	302-2104	1	TERMINAL-BLOCK	
J1	300-0909	1	CONTROL-DELUXE REMOTE	
J1	300-0909	1	CONTROL-DELUXE REMOTE	

611-1145

OPTIONAL STANDARD REMOTE CONTROL (REF)

OPTIONAL DELUXE REMOTE CONTROL (REF)

611-1145

OPTIONAL STANDARD REMOTE CONTROL (REF)

OPTIONAL DELUXE REMOTE CONTROL (REF)

611-1145

OPTIONAL STANDARD REMOTE CONTROL (REF)

OPTIONAL DELUXE REMOTE CONTROL (REF)

611-1145

OPTIONAL STANDARD REMOTE CONTROL (REF)

OPTIONAL DELUXE REMOTE CONTROL (REF)

REF. DES.	PART NO.	QTY.	DESCRIPTION	REF.
J1	300-1761	1	CONTROL ASSY	
J1			BATTERY-177	
J1			MOTOR-STARTER	
J1	312-0083	1	CONDENSER ASSY (125x11...100 VDC)	
J1	305-0853	1	RECTIFIER-BRIDGE	
J1	357-0030	1	RECTIFIER-SILICON (6-12A, 280V)	
J1			PUMP-FUEL	
J1			CHOKE-ELECT (ONAN)	
J1	321-0174	1	FUSE-5 AMP, 37V	
J1	321-0175	1	HOLDER-FUSE	
J1	521-0153	1	FUSE-3 AMP	
J1			GENERATOR	
J1	302-1017	1	RELAY-START STOP	
J1	302-1018	1	RELAY-RUN STOP	
J1	302-1019	1	RELAY-RUN STOP	
J1	302-1020	1	RELAY-RUN STOP	
J1	302-0885	1	METER-RUNNING TIME	
J1	302-0181	1	RESISTOR 100 OHM 5W	
J1	302-0182	1	RESISTOR 100 OHM 5W	
J1	302-0183	1	RESISTOR 100 OHM 5W	
J1	302-0184	1	RESISTOR 100 OHM 5W	
J1	308-0383	1	SWITCH-START STOP	
J1			SWITCH-BREAKER 3 CAP ASSY	
J1			SWITCH-LOW OIL PRESSURE	
J1			SWITCH-HIGH WATER TEMP	
J1			SWITCH-HIGH EXHAUST TEMP	
J1	302-0089	1	COIL-INDUCTION	
J1	302-2100	1	TERMINAL-BLOCK	
J1	302-2101	1	TERMINAL-BLOCK	
J1	302-2102	1	TERMINAL-BLOCK	
J1	302-2103	1	TERMINAL-BLOCK	
J1	302-2104	1	TERMINAL-BLOCK	
J1	300-0909	1	CONTROL-DELUXE REMOTE	
J1	300-0909	1	CONTROL-DELUXE REMOTE	

611-1145

OPTIONAL STANDARD REMOTE CONTROL (REF)

OPTIONAL DELUXE REMOTE CONTROL (REF)

611-1145

OPTIONAL STANDARD REMOTE CONTROL (REF)

OPTIONAL DELUXE REMOTE CONTROL (REF)

611-1145

OPTIONAL STANDARD REMOTE CONTROL (REF)

OPTIONAL DELUXE REMOTE CONTROL (REF)

611-1145

OPTIONAL STANDARD REMOTE CONTROL (REF)

OPTIONAL DELUXE REMOTE CONTROL (REF)

REF. DES.	PART NO.	QTY.	DESCRIPTION	REF.
J1	300-1761	1	CONTROL ASSY	
J1			BATTERY-177	
J1			MOTOR-STARTER	
J1	312-0083	1	CONDENSER ASSY (125x11...100 VDC)	
J1	305-0853	1	RECTIFIER-BRIDGE	
J1	357-0030	1	RECTIFIER-SILICON (6-12A, 280V)	
J1			PUMP-FUEL	
J1			CHOKE-ELECT (ONAN)	
J1	321-0174	1	FUSE-5 AMP, 37V	
J1	321-0175	1	HOLDER-FUSE	
J1	521-0153	1	FUSE-3 AMP	
J1			GENERATOR	
J1	302-1017	1	RELAY-START STOP	
J1	302-1018	1	RELAY-RUN STOP	
J1	302-1019	1	RELAY-RUN STOP	
J1	302-1020	1	RELAY-RUN STOP	
J1	302-0885	1	METER-RUNNING TIME	
J1	302-0181	1	RESISTOR 100 OHM 5W	
J1	302-0182	1	RESISTOR 100 OHM 5W	
J1	302-0183	1	RESISTOR 100 OHM 5W	
J1	302-0184	1	RESISTOR 100 OHM 5W	
J1	308-0383	1	SWITCH-START STOP	
J1			SWITCH-BREAKER 3 CAP ASSY	
J1			SWITCH-LOW OIL PRESSURE	
J1			SWITCH-HIGH WATER TEMP	
J1			SWITCH-HIGH EXHAUST TEMP	
J1	302-0089	1	COIL-INDUCTION	
J1	302-2100	1	TERMINAL	



Onan Corporation
1400 73rd Avenue N.E.
Minneapolis, MN 55432
Telex: 275477
Fax: 612-574-8087

Onan is a registered trademark of Onan Corporation
Cummins is a registered trademark of Cummins Engine Company