

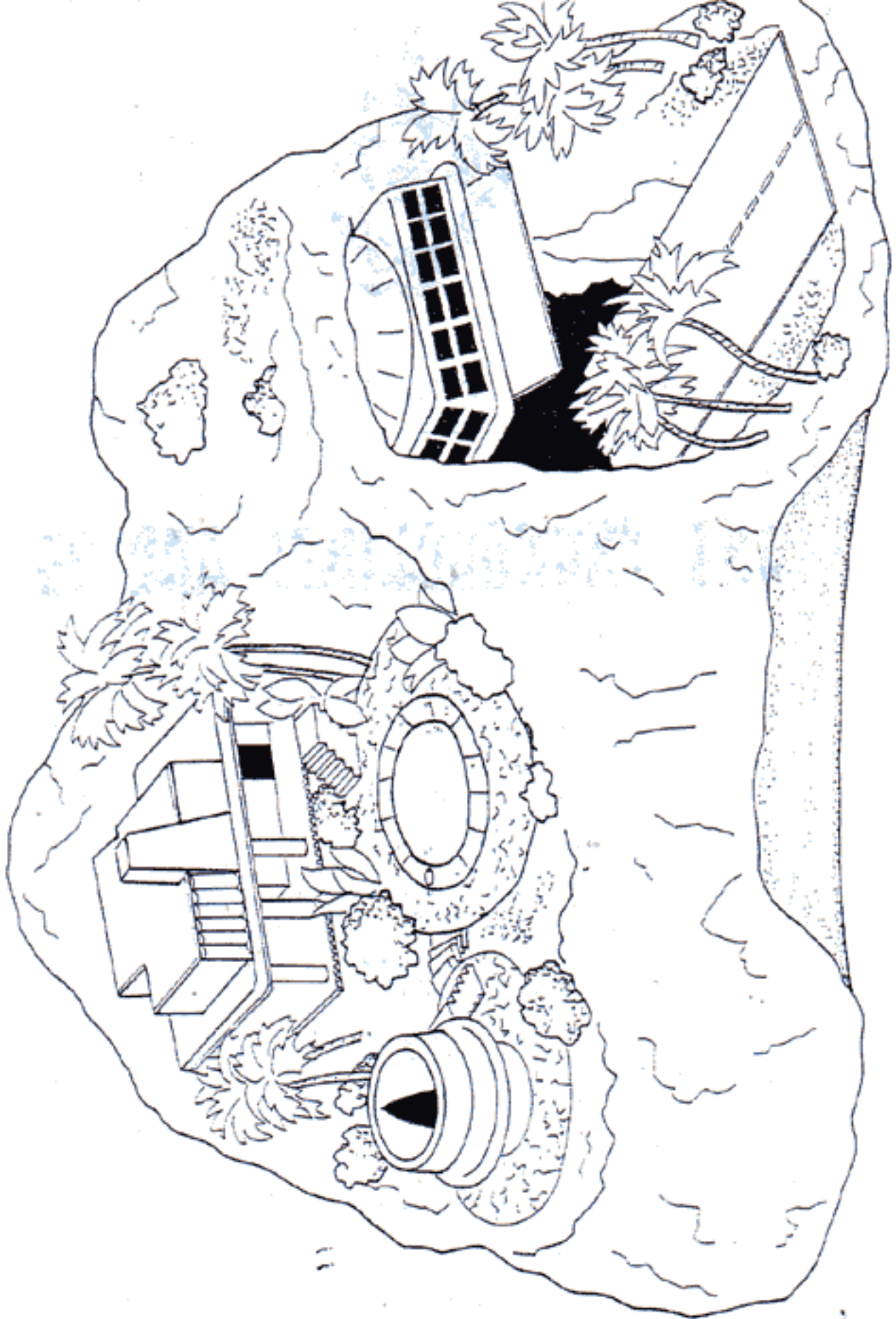


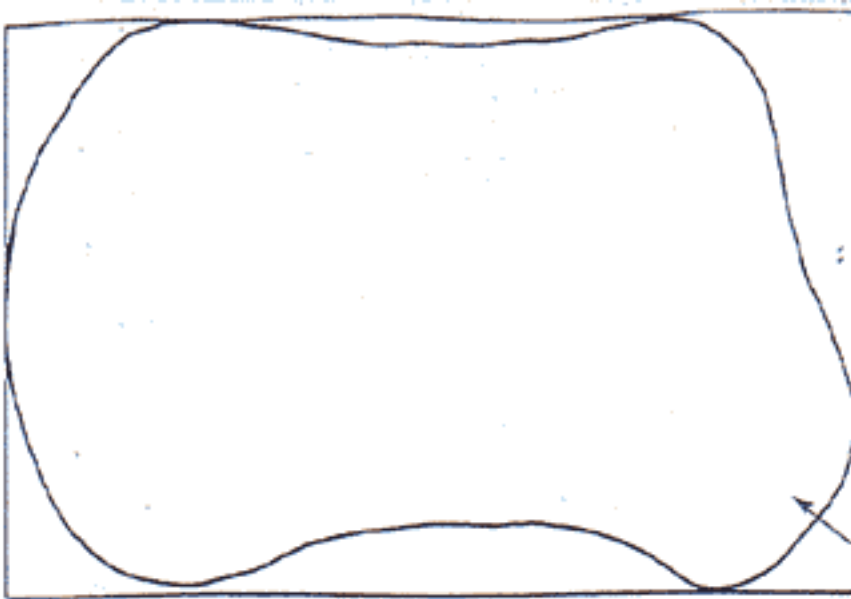
BLUE PETER'S 21st CENTURY TRACY ISLAND

54321 THUNDERBIRDS ARE GO !

MATERIALS

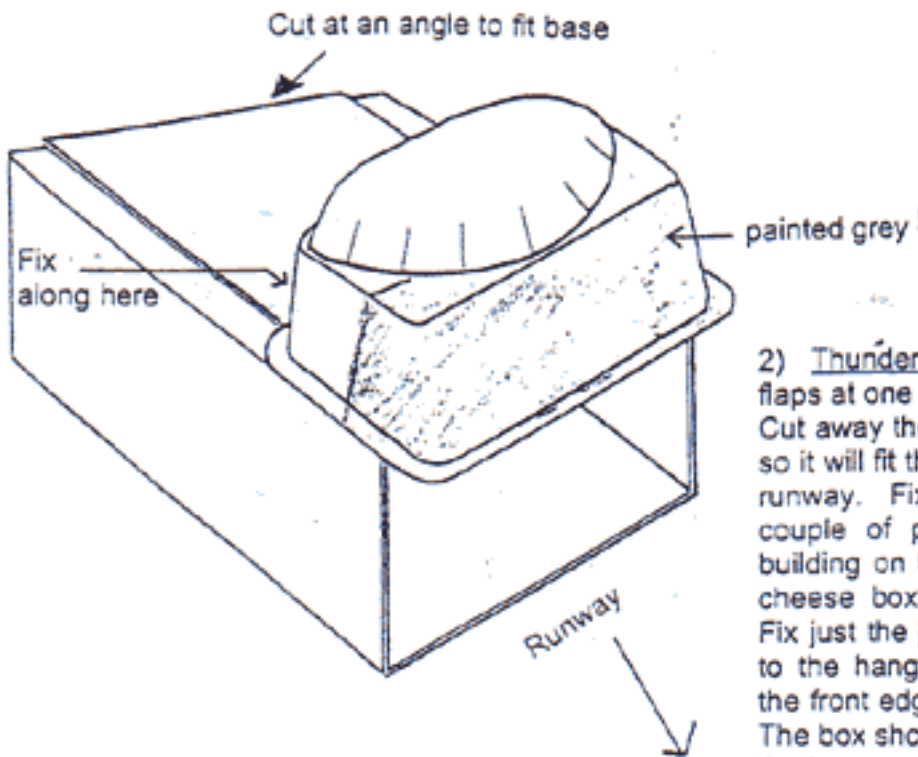
Grocery carton
Cereal pack cardboard
Newspapers
Kitchen foil
P.V.A. glue
Soap powder packet (1 litre/16 x 23 cm)
Oblong cheese box
Paper bowl
Washing-up liquid bottle
Potato crisp tube (6.5 cm diameter)
Small adhesive labels
Blue and grey pens
75 mm flower pot saucer
Sandpaper
2 medium and 1 small matchboxes
Sponge
Drinking straw
Corrugated paper
Brass paper fastener
Blue card
Pipe Cleaners
Green and brown crepe paper
Green, brown and grey paint
Sawdust





1) The Base Using the side of a large grocery box, draw a rough rectangular shape with 3 round corners and the 4th jutting out to allow for Thunderbird 2's runway. Cut it out.

Thunderbird 2
Runway

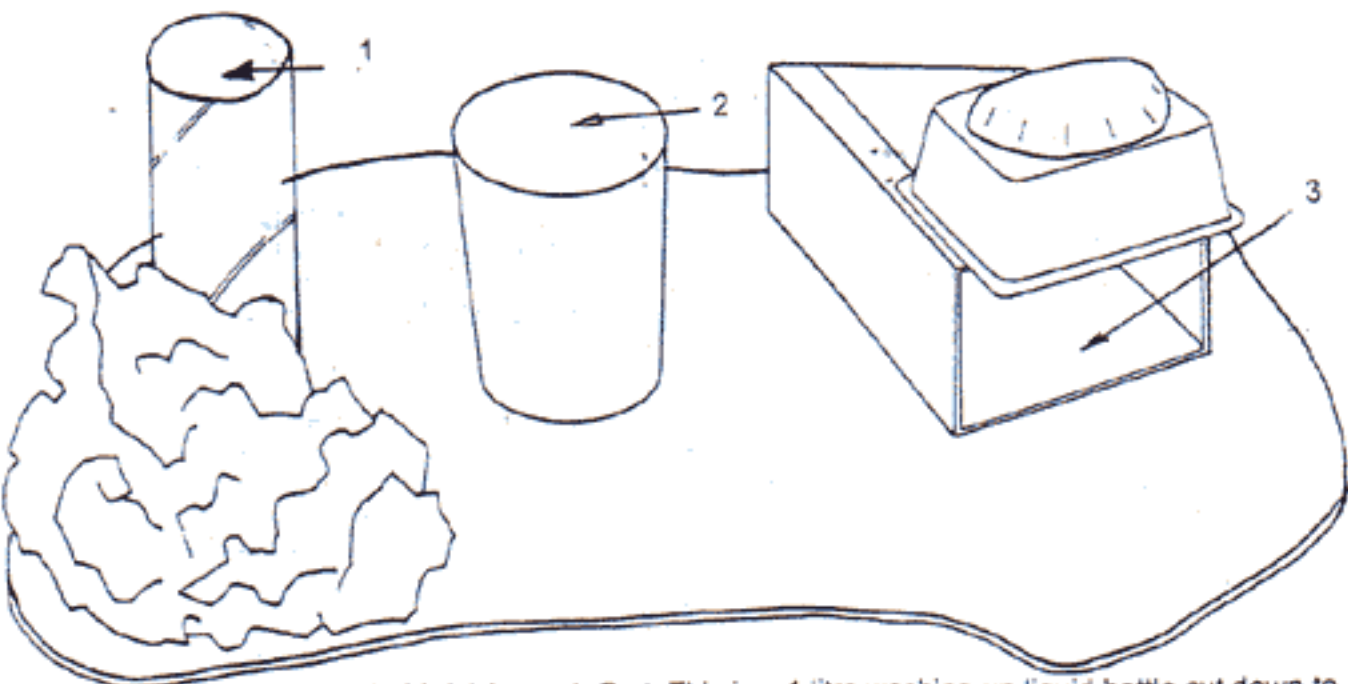


2) Thunderbird 2 Hangar Cut away the flaps at one end of a soap powder packet. Cut away the other end at a sloping angle so it will fit the back of the base facing the runway. Fix the box to the base with a couple of pieces of sticky tape. The building on top of the hangar is a cream cheese box with one half painted grey. Fix just the back edge of the cheese box to the hangar with sticky tape. Overlap the front edge of the hangar about 3 cms. The box should not be fixed at the front as the hangar door will slide under it later on. Use a paper bowl for the curved roof. Cut away the rim then cut the remaining part in half. Paint to match the rest of the building and secure corners to the sides of the building with sticky tape.

1 litre washing-up liquid bottle
for Thunderbird 1

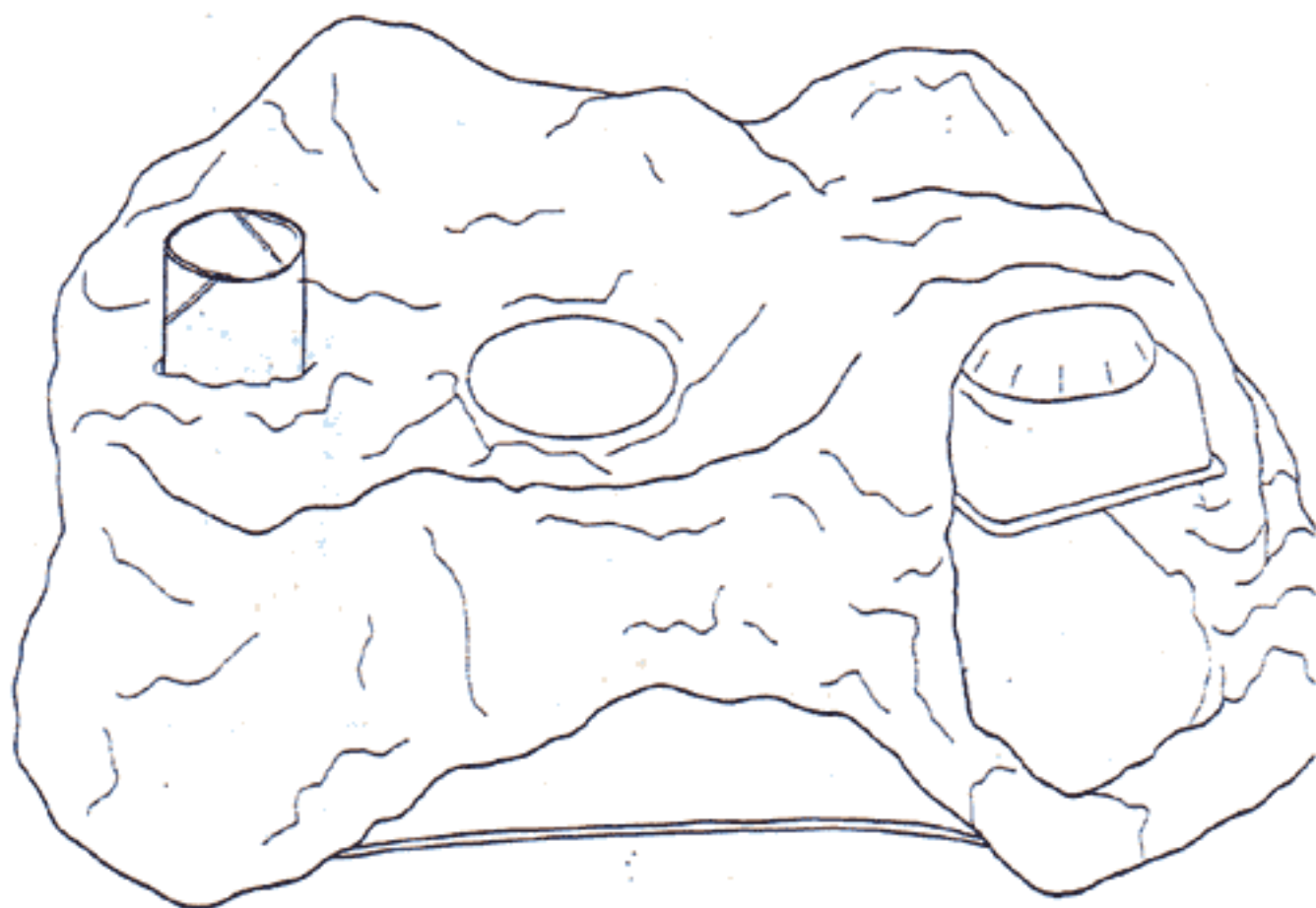
soap powde
packet for
Thunderbird

potato crisp
tube for
Thunderbird 3

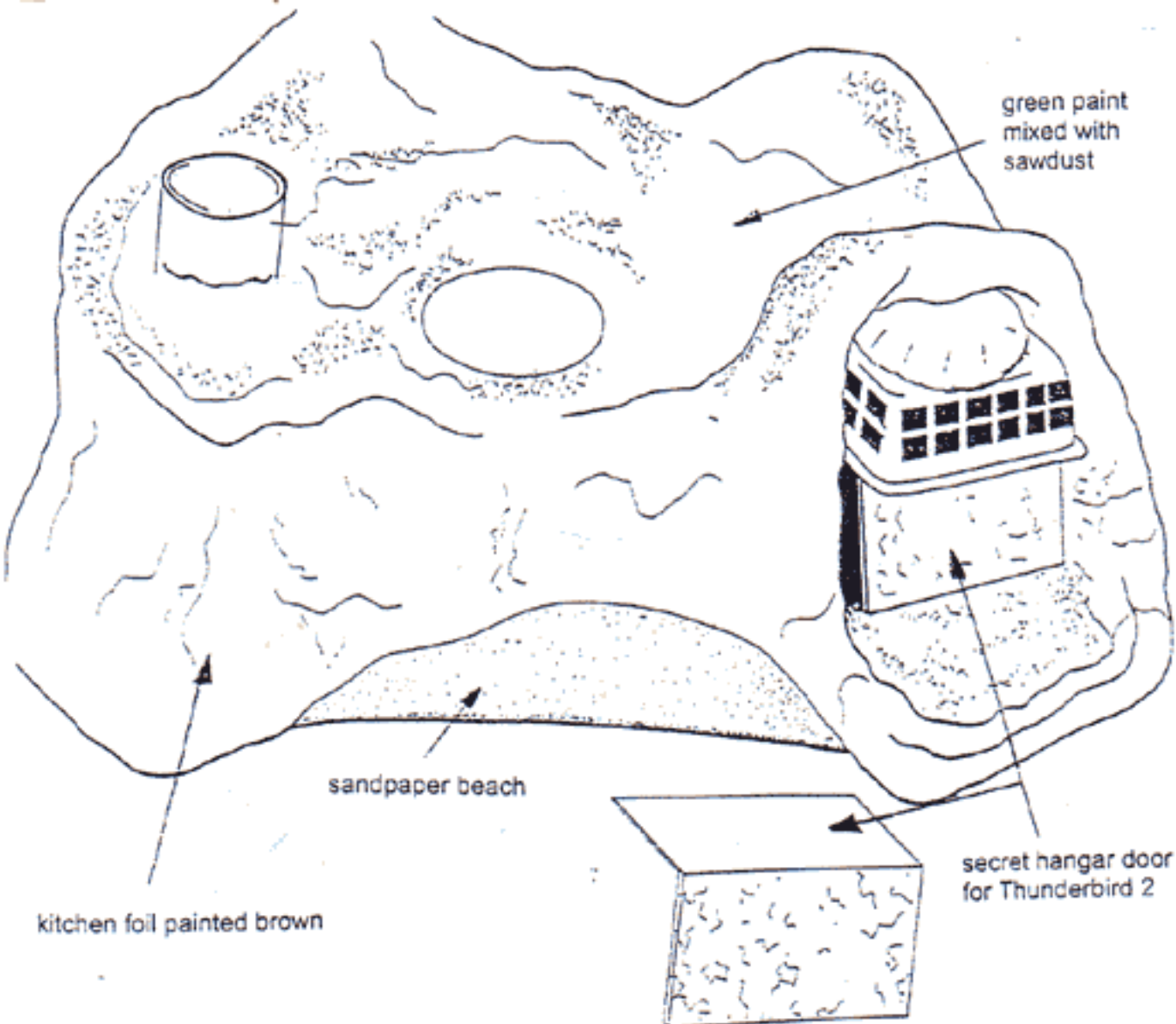


3) Thunderbird 1 Launch Pad This is a 1 litre washing-up liquid bottle cut down to the exact height of TB1, stuck on with sticky tape in the middle of the base.

4) Thunderbird 3 Launch Pad Use a potato crisp tube (6.5 diameter) cut down to a few centimetres higher than Thunderbird 3. Stick on to the base near the remaining front corner.



5) The Landscape The shape of the Island is built up from crumpled newspaper spread with P.V.A glue. You can thin the glue down with a little water to make it go further. Spread some glue on a half sheet of newspaper, crumple it and press it on base with more glue. Press lots of crumpled paper on to the base. Don't forget to leave spaces for a beach at the front and a tiny cave at the back for Thunderbird 4. Build up the landscape to the height of the washing-up liquid bottle in the middle and just leave a few centimetres of the potato crisp tube uncovered. The areas around the bottle and the tube should be fairly flat, so should the space near the back where the house will sit. Completely cover the soap powder packet except for the ends and pile up paper at the back for hills. Finish off with a layer of smaller pasted scraps of paper overlapping each other - this will hold the whole thing together. Leave to dry overnight.

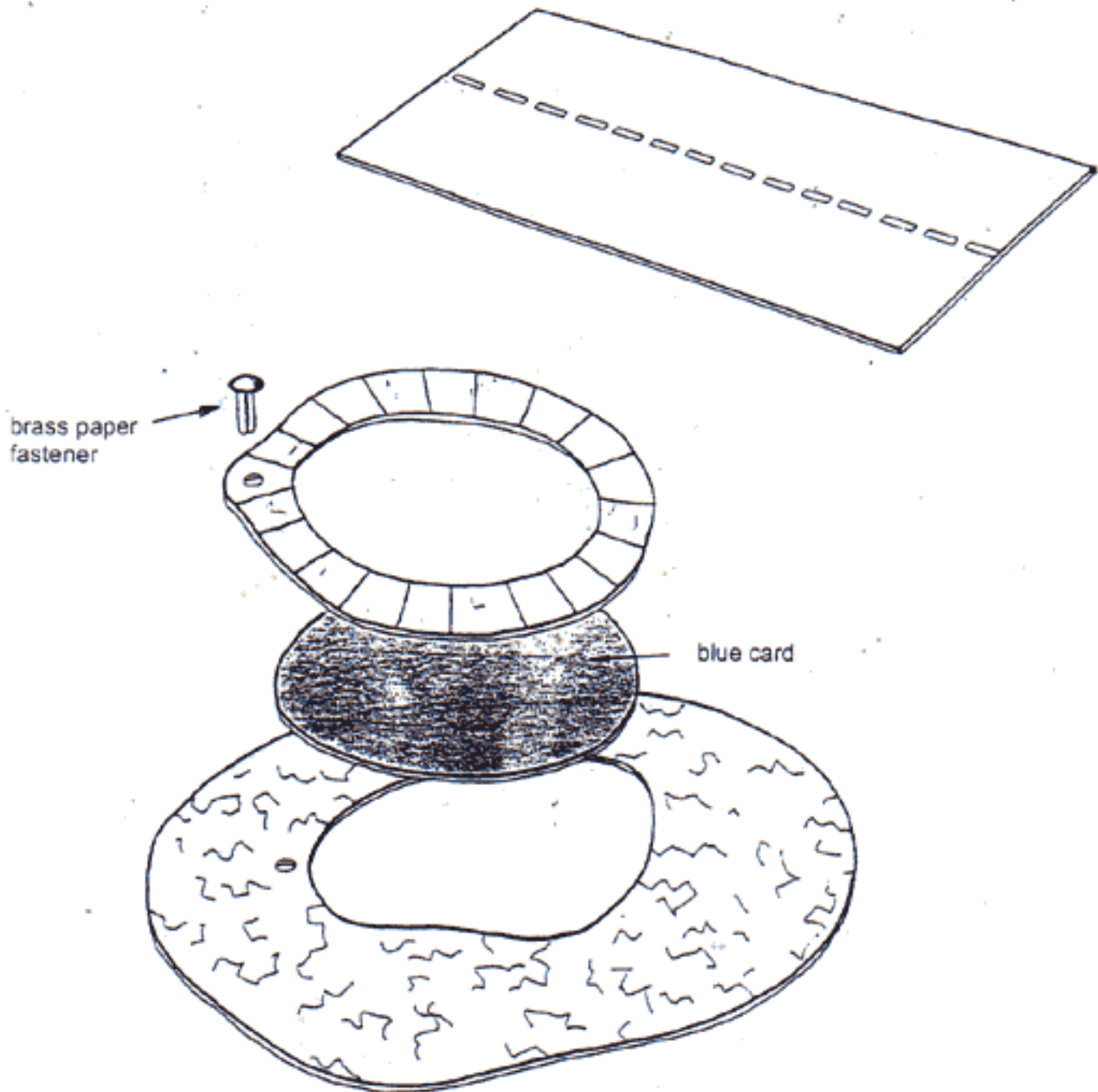


6) When dry cover the sides of the Island with crumpled kitchen foil, dull side out. Use P.V.A. glue to hold the foil in place. A few dabs in the middle and just at the edges should be enough and then gently press the foil into the nooks and crannies.

7) Paint the foil brown, not too thickly and the cliffs will look more realistic. Mix green paint with a little sawdust and paint the top to give the Island a grassy look. Paint inside and outside of the tube grey. When the paint is dry glue sandpaper on to the beach area and inside the cave.

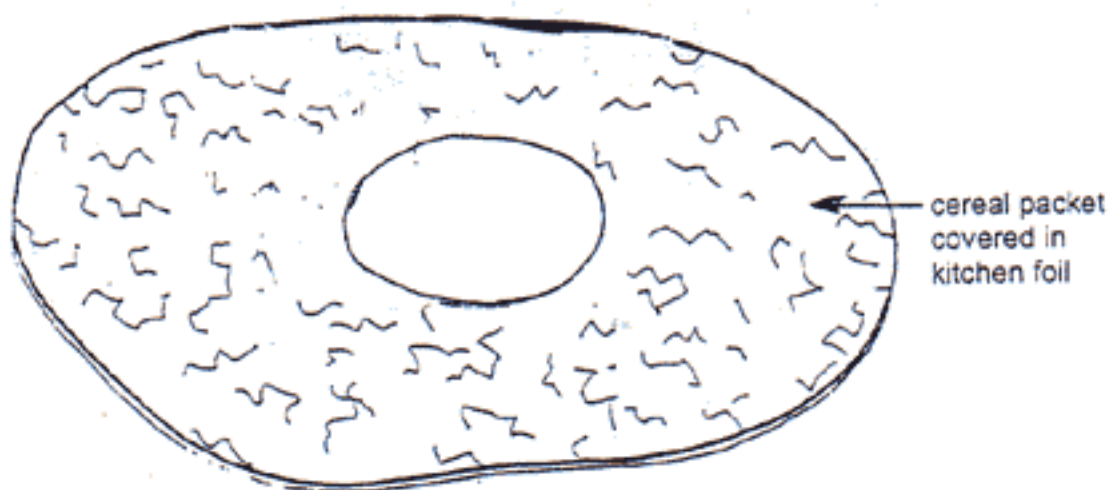
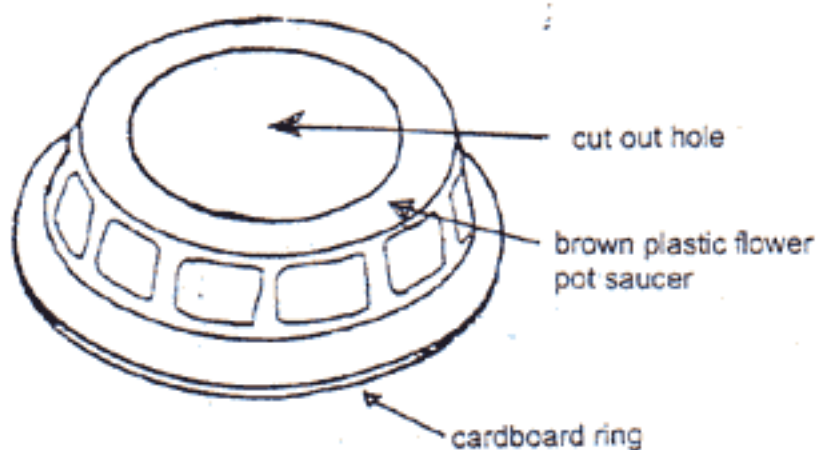
8) The windows on Thunderbird 2's runway building are small self adhesive labels coloured in blue and grey streaks. Cut them off in a strip leaving on the backing paper and glue to the front and sides of the building.

9) The hangar door is an oblong of thick cardboard painted brown to match the rocks. Stick some plain card at the back with an extra flap that can be pushed into the space between the hangar and the building - the door can then slide up and down when Thunderbird 2 is ready for launching.



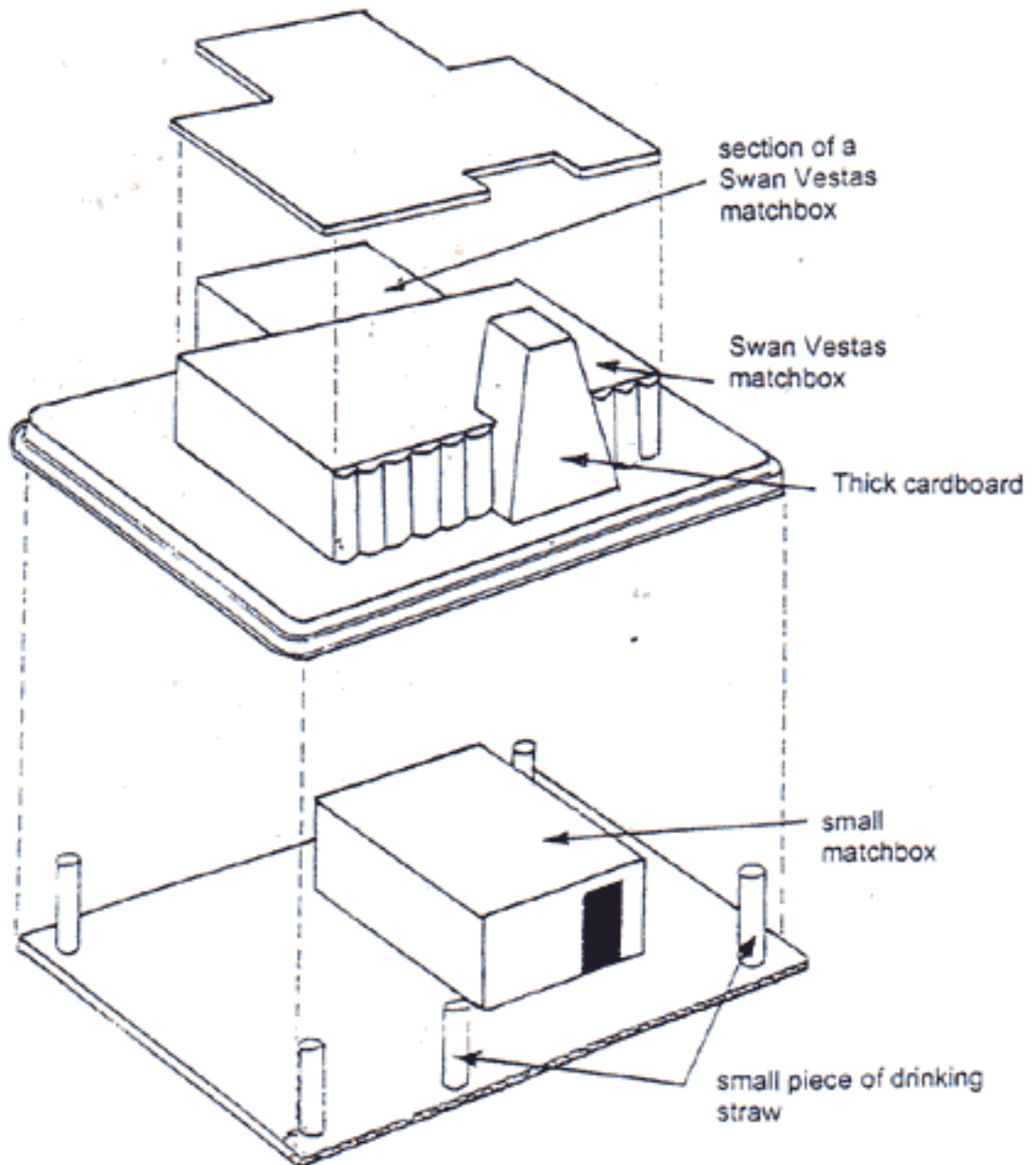
10) Thunderbird 2 Runway Cut an oblong of card and paint it grey. The markings are strips cut from sticky labels. Glue the end of the runway at hangar edge.

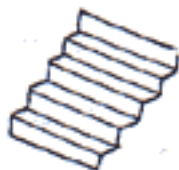
11) Swimming Pool Cut out a piece of cereal packet that will fit over the top of the washing-up bottle and overlap a few centimetres. Cut a hole in the middle that will allow Thunderbird 1 to lift off. Cut out a rim for the pool a little larger than the opening then cover both pieces with foil and paint grey. Glue a piece of blue card under the rim and fix the top and bottom layers together with a brass paper fastener - this will allow the swimming pool to slide to one side for life off. Glue the pool in place over the washing-up Liquid bottle.



12) Observation Tower above Thunderbird 3 Launch Pad Cut another piece of cereal packet that will fit over the tube (just like the swimming pool surround) cover with foil and paint grey. The building above is made from small flower pot saucer. Cut away a hole in the bottom the size of the tube opening. Glue the top of the saucer to a ring card that also has a tube size hole cut in it. Paint the building grey, stick on labels for windows and doors and fit it over the tube.

13) The House The main building on the upper storey is a medium sized matchbox with a section of a second box glued at the back. Fix on a chimney cut from layers of cardboard. Trim the front of the building with a strip of corrugated paper and cover the roof with a piece of card. Glue the building to a cheese box lid. The lower building of the house is a small matchbox glued onto a cardboard base the same size as the cheese box lid. Make the small matchbox higher with a couple of layers of thick cardboard. Paint then glue the two halves together with pieces of drinking straw in-between for pillars.



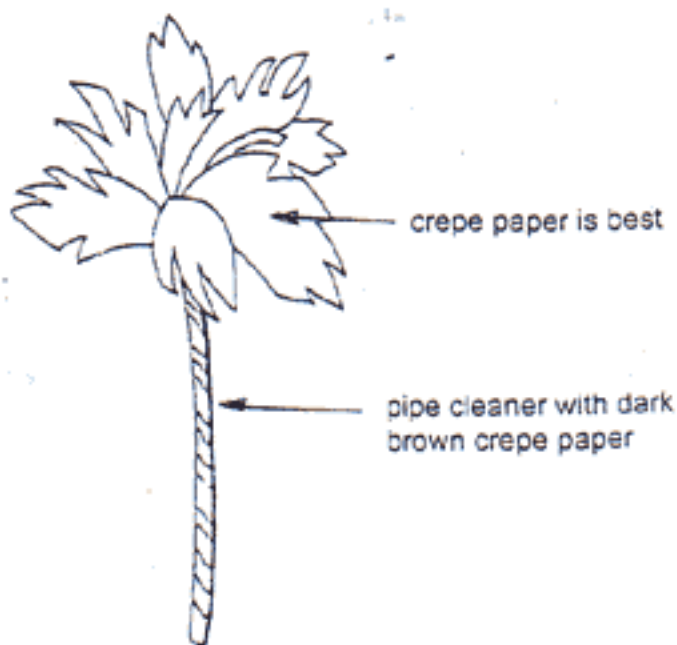


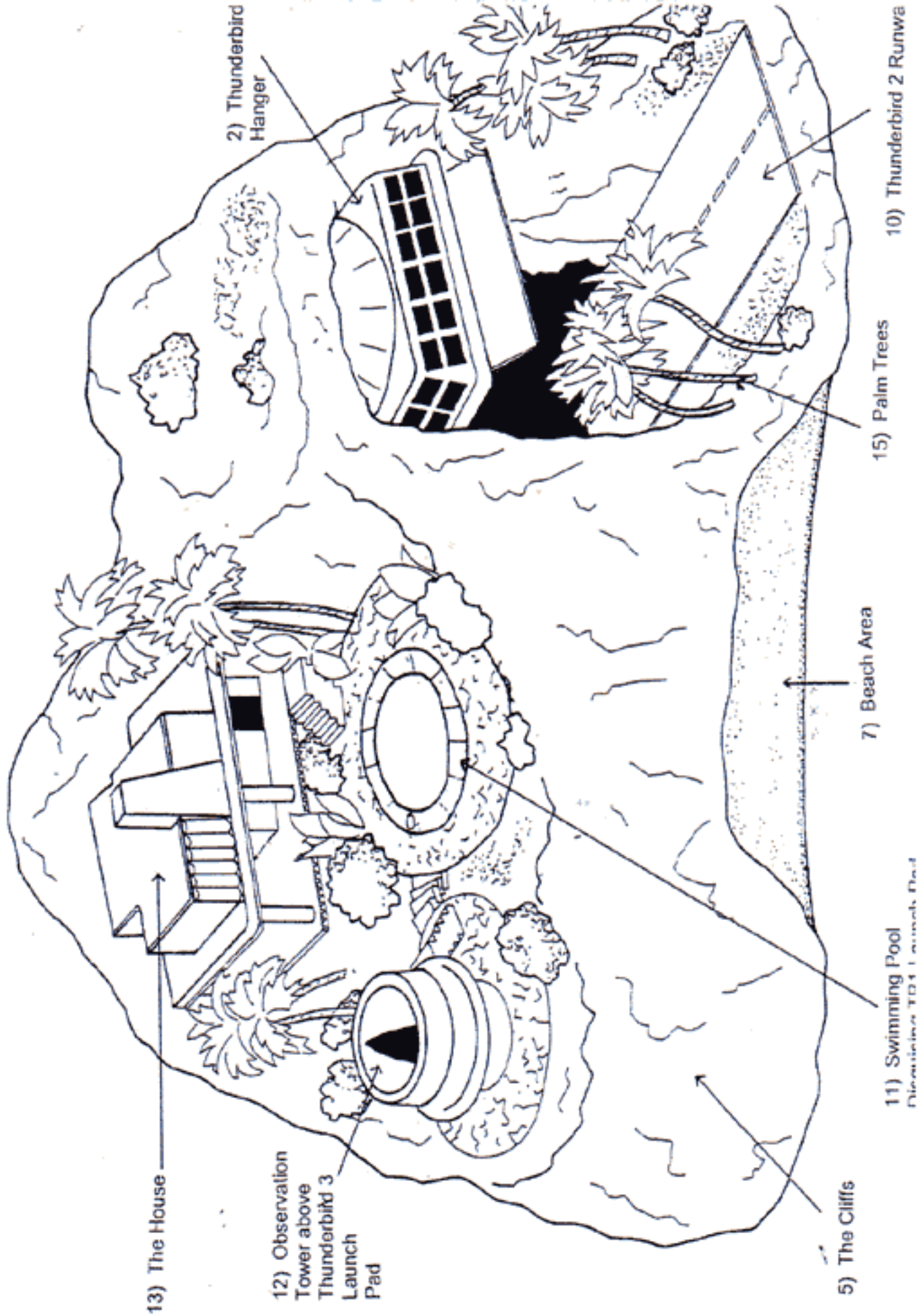
corrugated cardboard steps

14) The Steps

Cut narrow strips of corrugated cardboard to form steps then paint them grey. You will need three flights - one from the house down to the pool, the second from the observation tower to the ground and a third to link the observation tower to the swimming pool.

15) Palm Trees The tree trunks are pieces of pipe cleaner with brown paper wound round. Cut out leaves from green crepe paper and glue round the top. Push the trees into the sides of Thunderbird 2's runway where they can be pushed sideways for launching. Make a few bunches of leaves for plants from green paper and colour scraps of foam sponge for bushes. Glue them in place - they are also very useful for covering up any torn parts.





13) The House

12) Observation Tower above Thunderbird 3 Launch Pad

5) The Cliffs

11) Swimming Pool
Diameter 1041 meters, Pool

7) Beach Area

15) Palm Trees

2) Thunderbird Hanger

10) Thunderbird 2 Runway