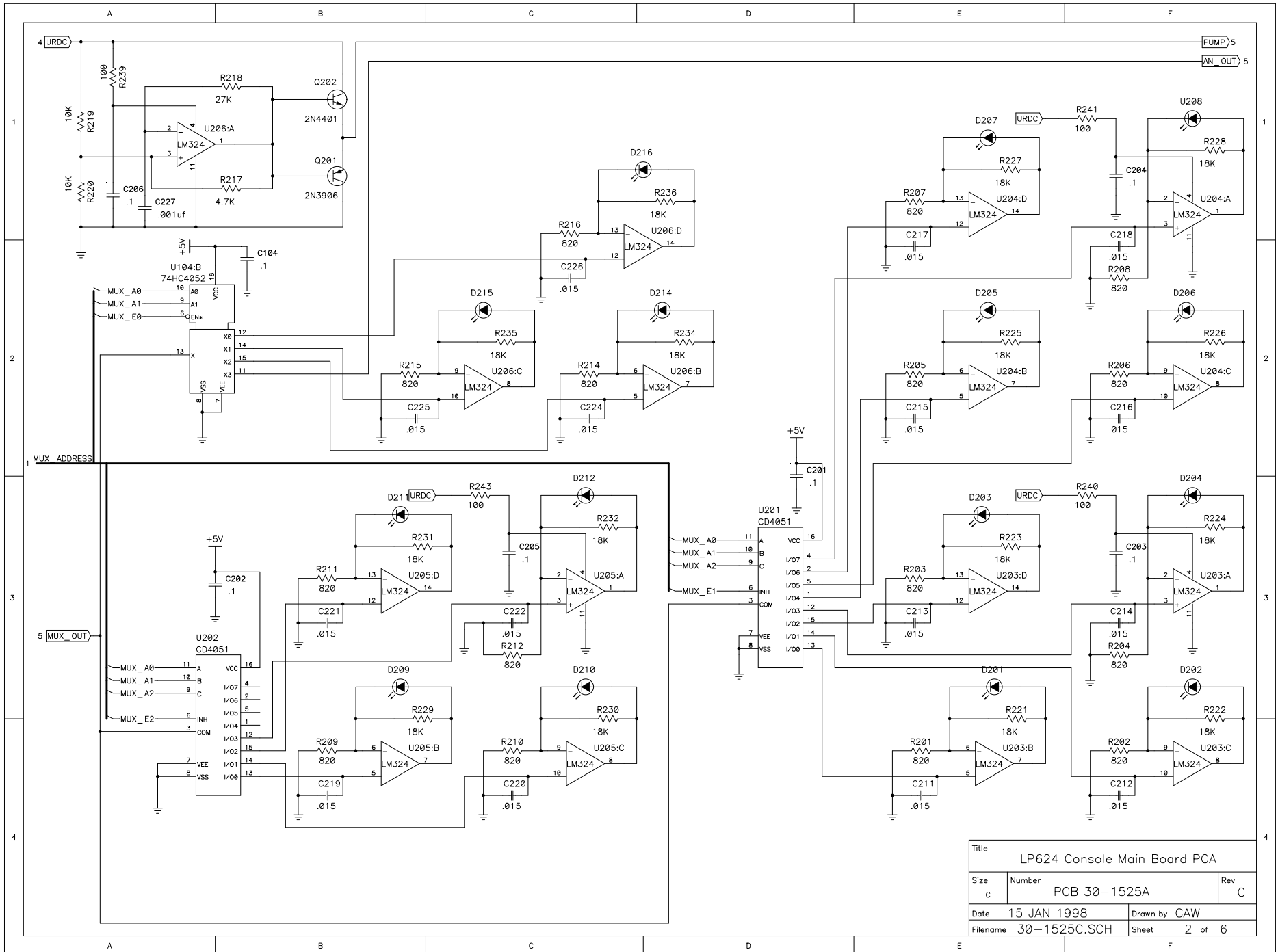
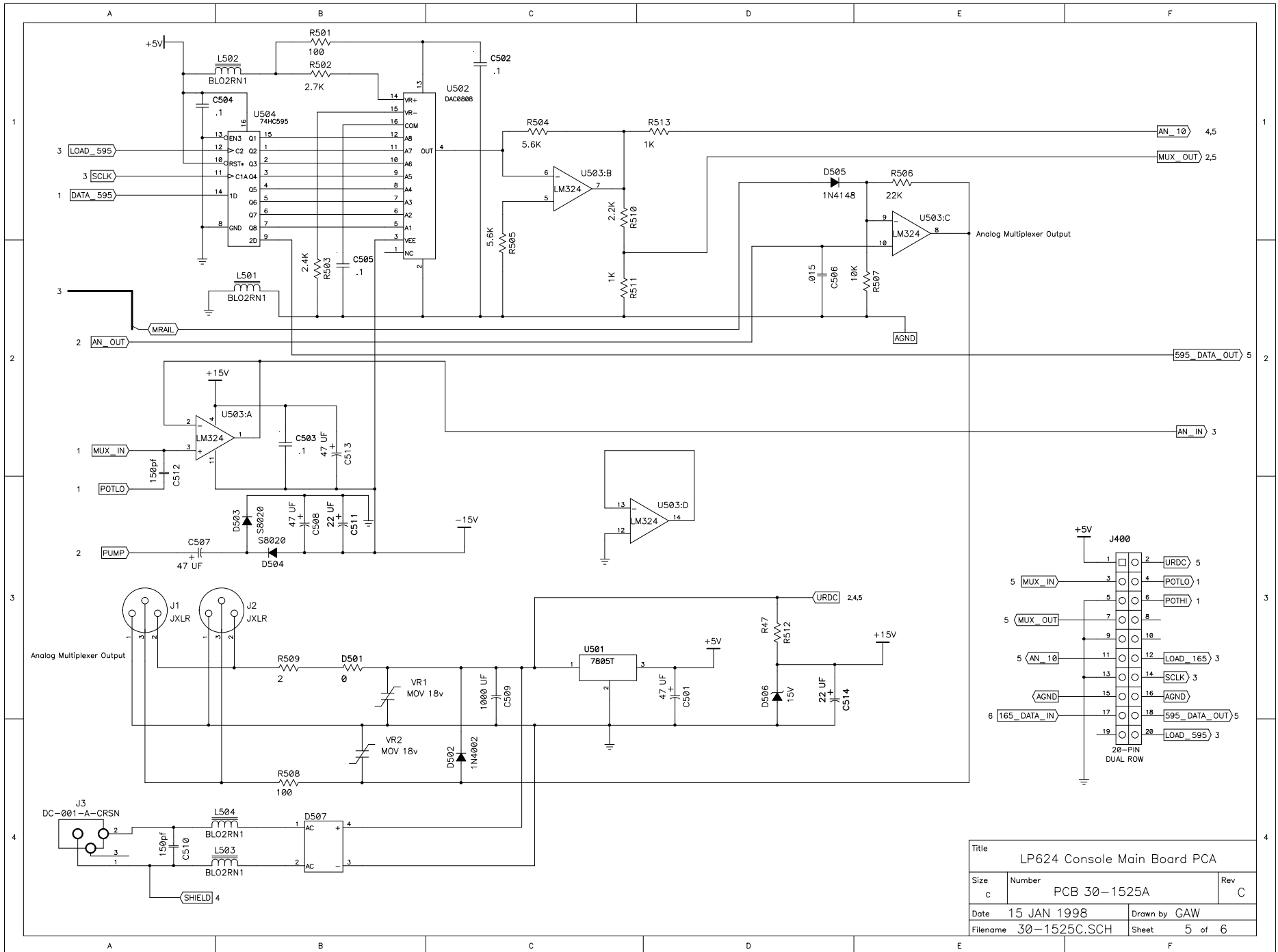


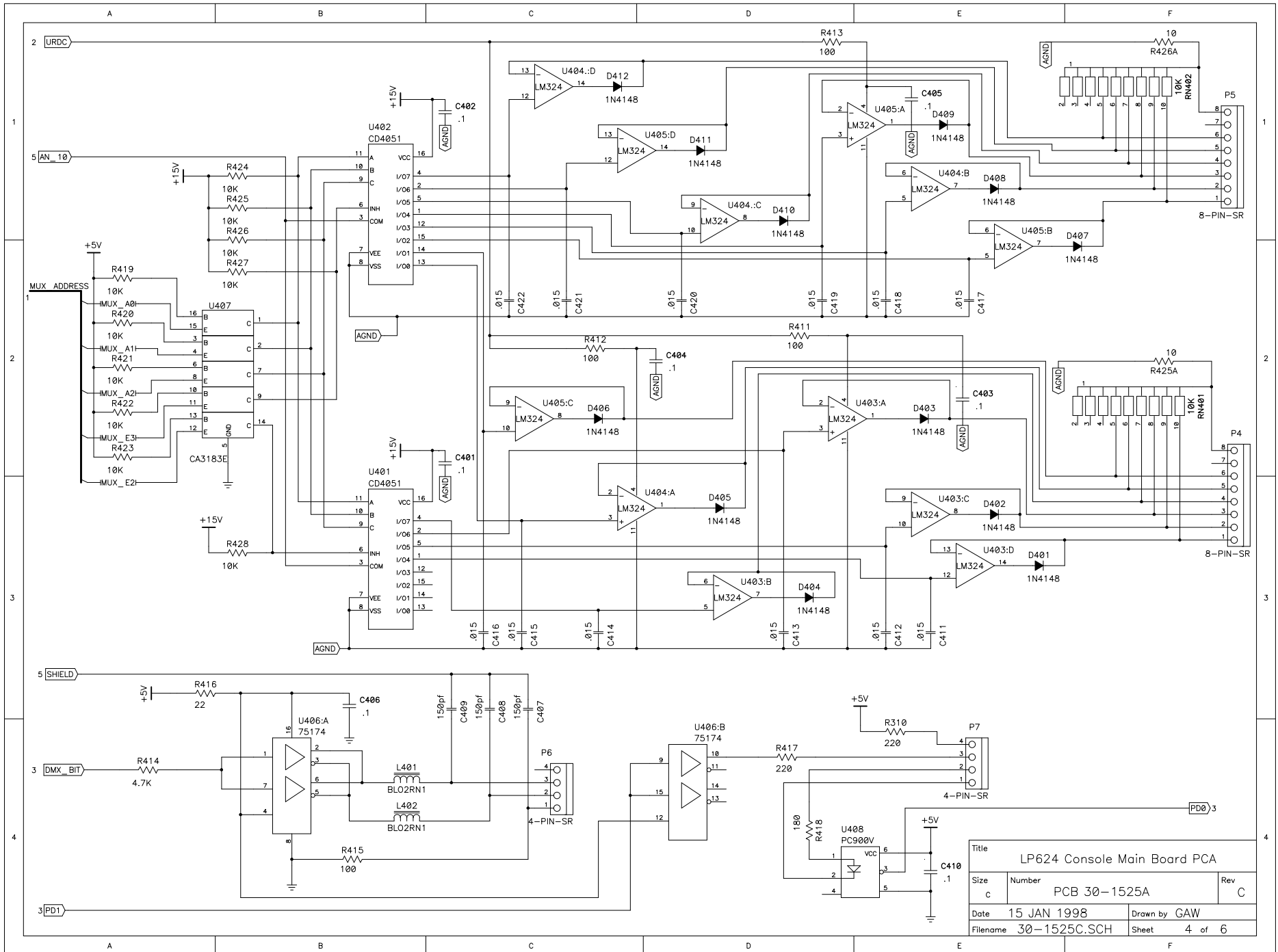
Title		
LP624 Console Main Board PCA		
Size	Number	Rev
c	PCB 30-1525A	C
Date	15 JAN 1998	Drawn by
Filename	30-1525C.SCH	GAW
Sheet 1 of 6		



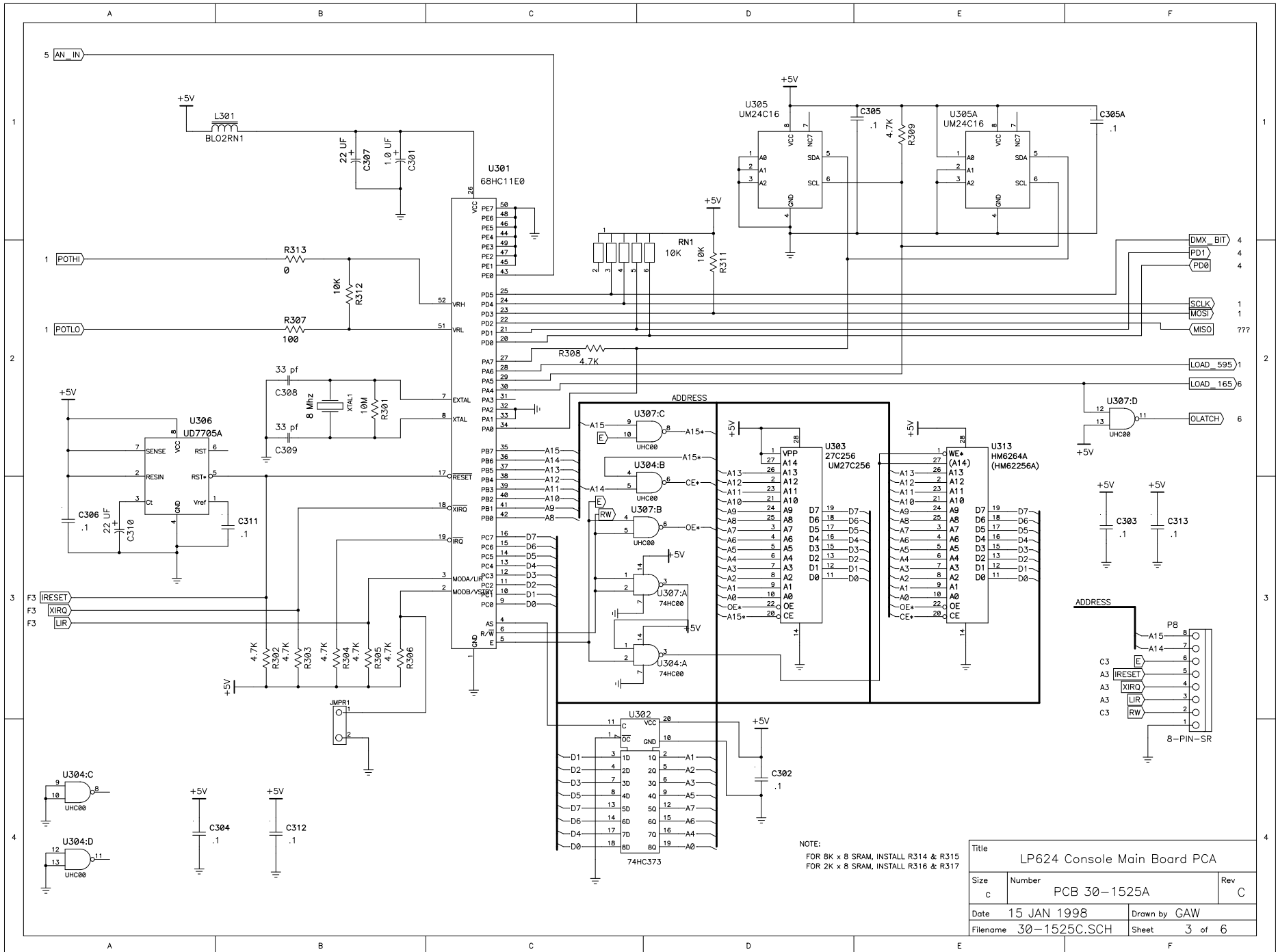
Title			LP624 Console Main Board PCA		
Size	Number		Rev		
c	PCB 30-1525A		C		
Date	15 JAN 1998	Drawn by	GAW		
Filename	30-1525C.SCH	Sheet	2 of 6		



Title		
LP624 Console Main Board PCA		
Size	Number	Rev
c	PCB 30-1525A	C
Date	15 JAN 1998	Drawn by GAW
Filename	30-1525C.SCH	Sheet 5 of 6

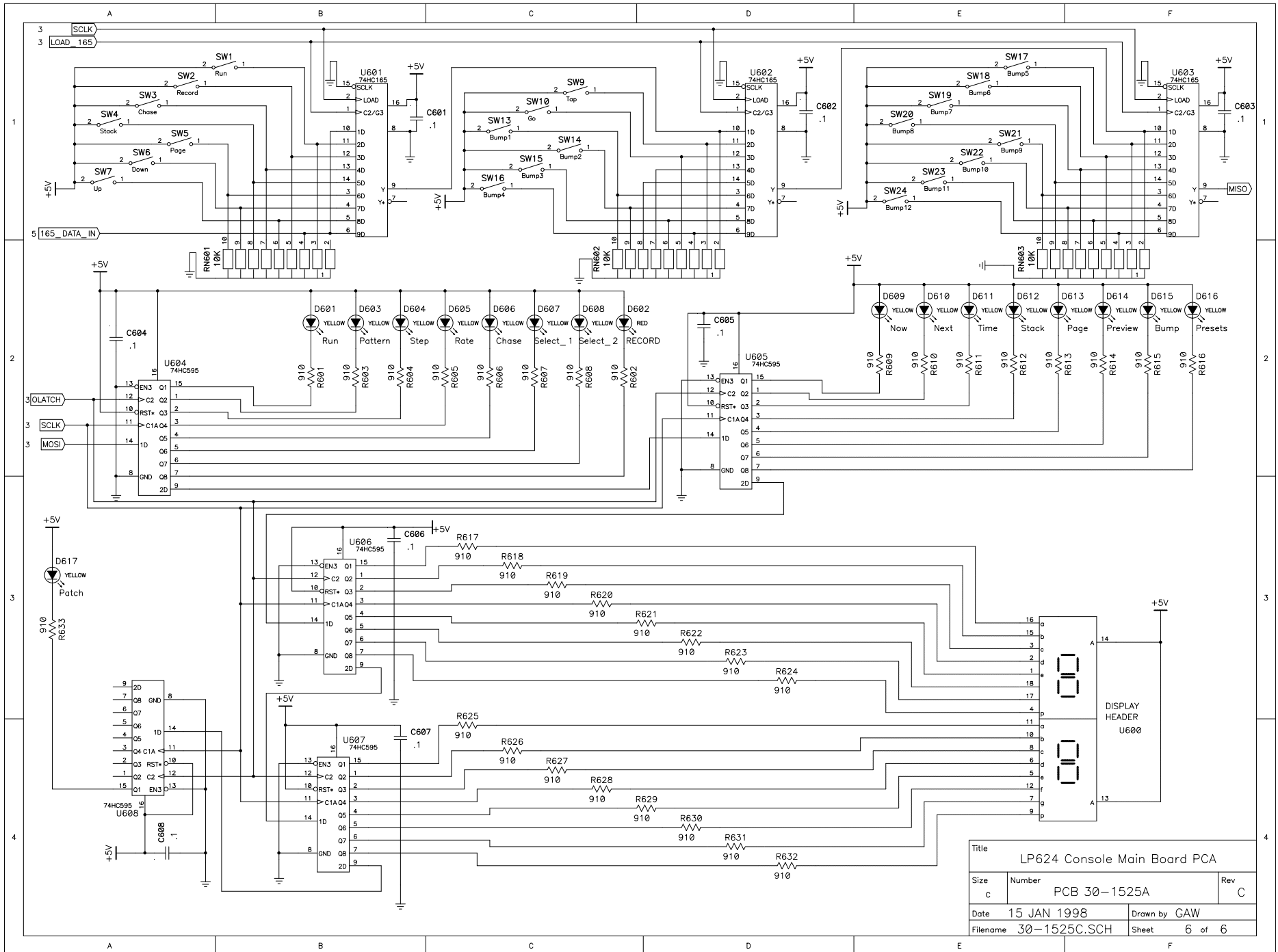


Title			LP624 Console Main Board PCA		
Size	Number			Rev	C
C	PCB 30-1525A				
Date	15 JAN 1998	Drawn by		GAW	
Filename	30-1525C.SCH	Sheet		4 of 6	



NOTE:
 FOR 8K x 8 SRAM, INSTALL R314 & R315
 FOR 2K x 8 SRAM, INSTALL R316 & R317

Title		
LP624 Console Main Board PCA		
Size	Number	Rev
c	PCB 30-1525A	C
Date	15 JAN 1998	Drawn by GAW
Filename	30-1525C.SCH	Sheet 3 of 6



Title			LP624 Console Main Board PCA		
Size	Number			Rev	C
c	PCB 30-1525A				
Date	15 JAN 1998	Drawn by		GAW	
Filename	30-1525C.SCH	Sheet		6 of 6	