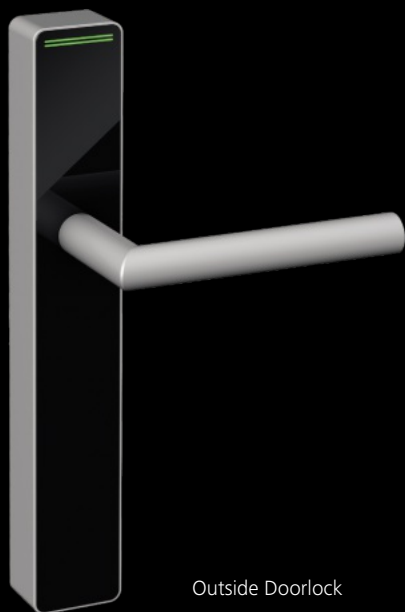
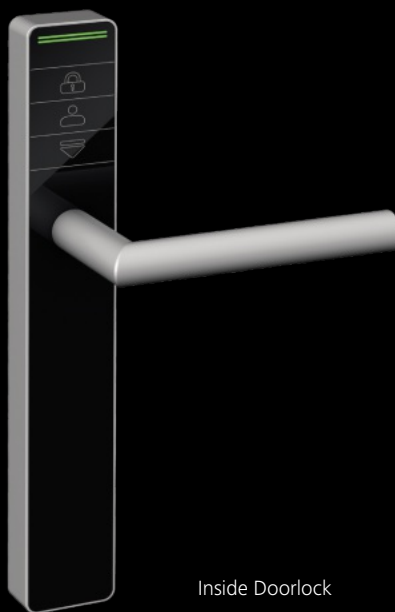


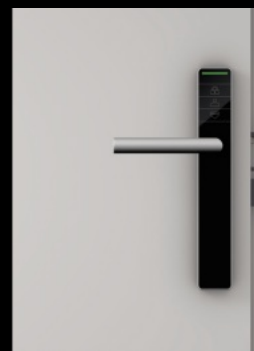
# Factsheet PORT 7.2



Outside Doorlock



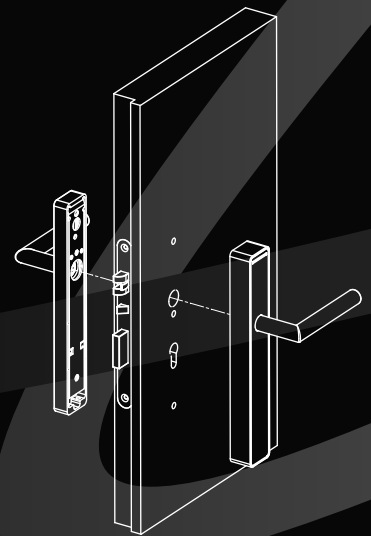
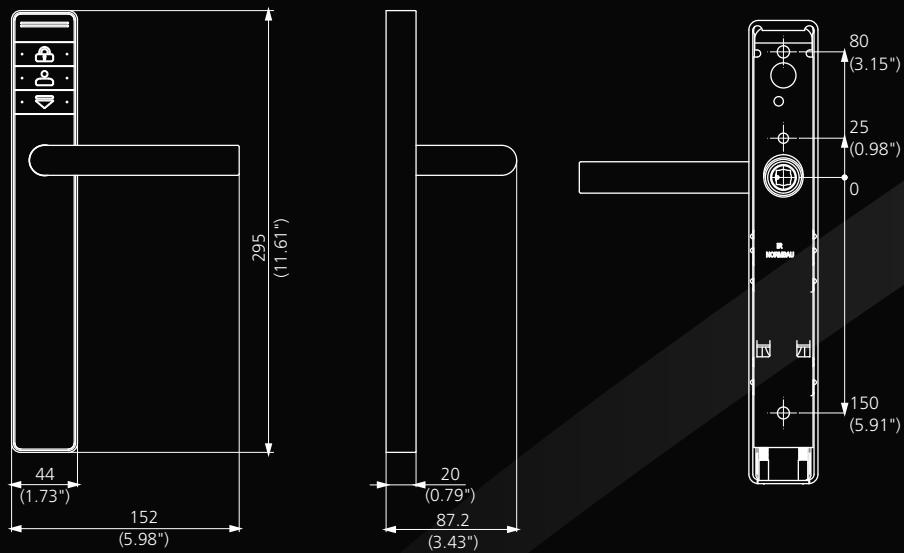
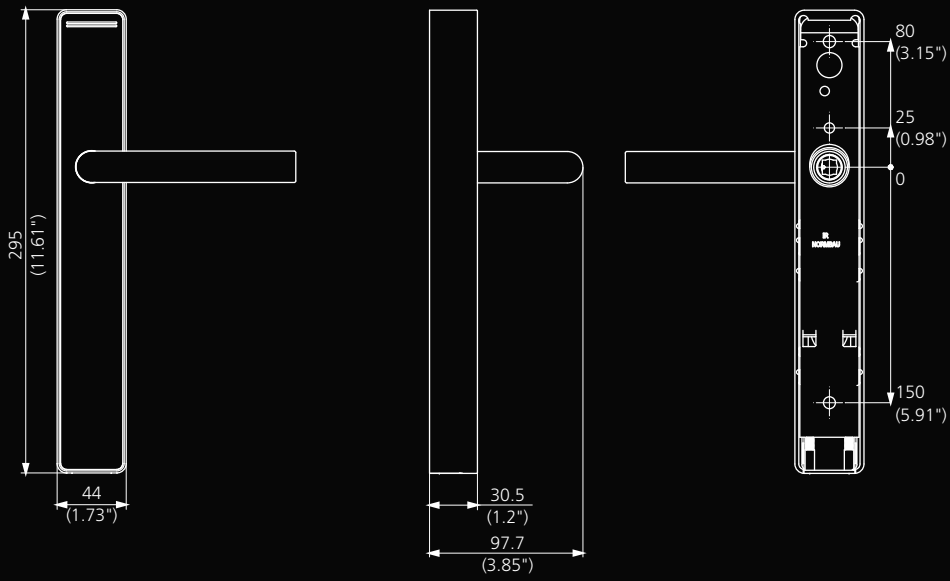
Inside Doorlock



## Technical Details

Physical Dimensions (WxHxD)	outside: 44 x 295 x 30.5 mm (1.73 x 11.61 x 1.2 inch) w/o door opener inside: 44 x 295 x 20 mm (1.73 x 11.61 x 0.79 inch) w/o door opener
Supply	3x AA battery required battery: Energizer Lithium L91
Data Links	1x Doorstatus 1x Door opener
Buttons	Capacitive sensors (with optical feedback)
Card Reader Frequency	13.56 MHz
Card Reader Protocols	ISO14443A
Standard Card Types	Mifare Classic, Mifare 1K, Mifare 4K
System Connection	ZigBee (IEEE 802.15.4)
Range of Application	temperature: 0 to 60 °C (13 to 140 °F) humidity: 0 to 90% non-condensing protection rating IP30
Mortise Lock	effeff 409 (recommmendation)

# PORT 7.2



For further information including location of the Schindler office nearest you, please visit:  
[www.schindler.com](http://www.schindler.com)

Schindler Elevator Ltd.  
 Zugerstrasse 13  
 CH-6030 Ebikon  
 Switzerland  
 Phone +41 (0)41 445 31 31  
 Fax +41 (0)41 445 52 97

[porttechnology@ch.schindler.com](mailto:porttechnology@ch.schindler.com)  
[www.theporttechnology.com](http://www.theporttechnology.com)

