

RoHS



Rugged Circuits LLC  
Copyright 2011. All Rights Reserved.

TITLE: am010

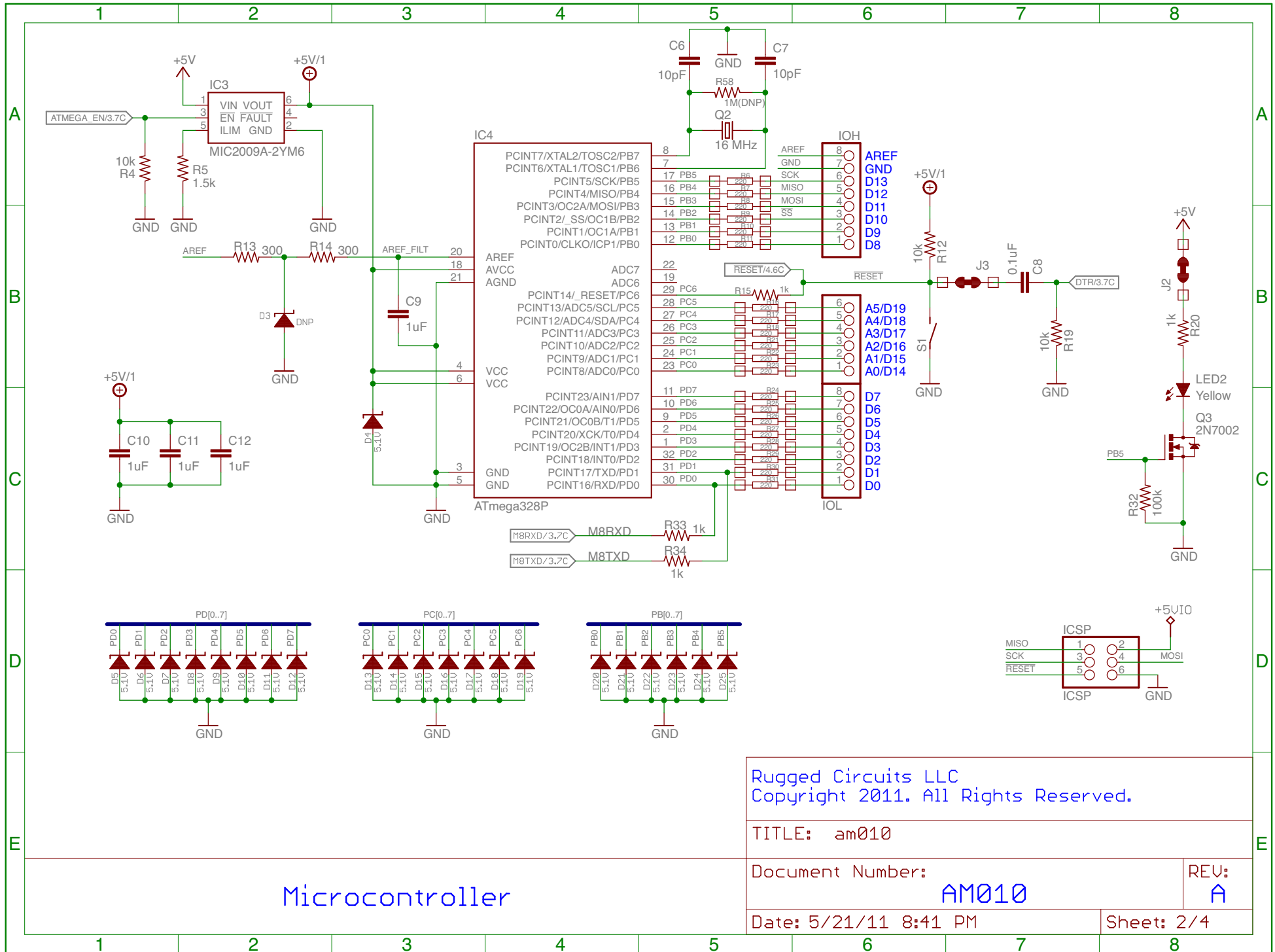
Document Number:  
AM010

REV:  
A

Date: 5/21/11 8:41 PM

Sheet: 1/4

## Power Input and Regulation



Rugged Circuits LLC  
 Copyright 2011. All Rights Reserved.

TITLE: am010

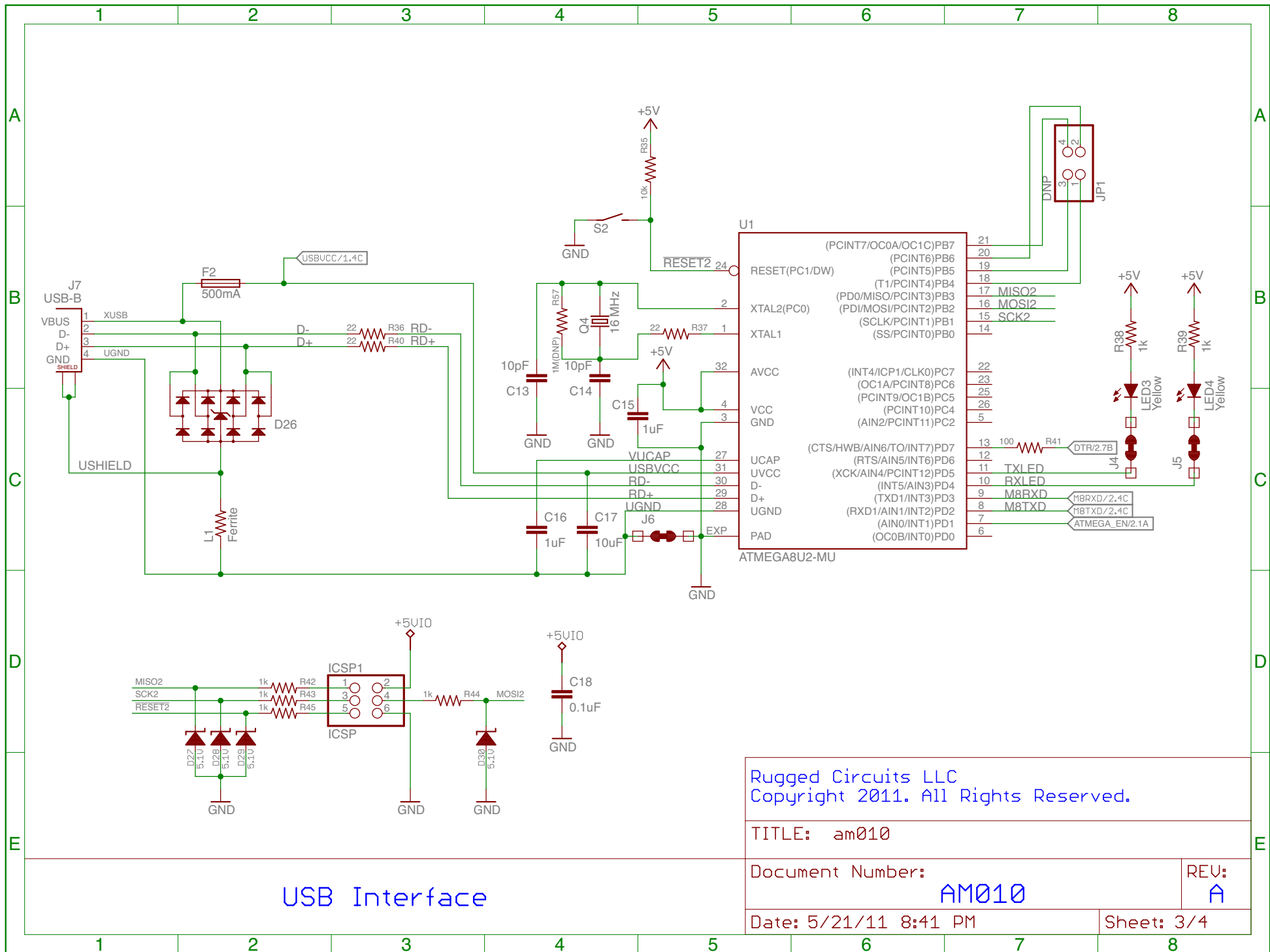
Document Number: AM010

REV: A

Date: 5/21/11 8:41 PM

Sheet: 2/4

Microcontroller



Rugged Circuits LLC  
 Copyright 2011. All Rights Reserved.

TITLE: am010

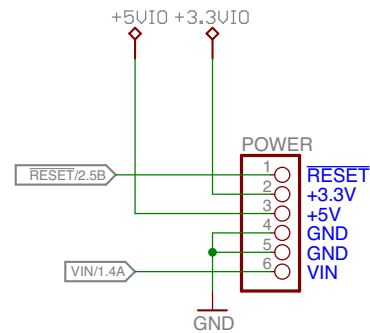
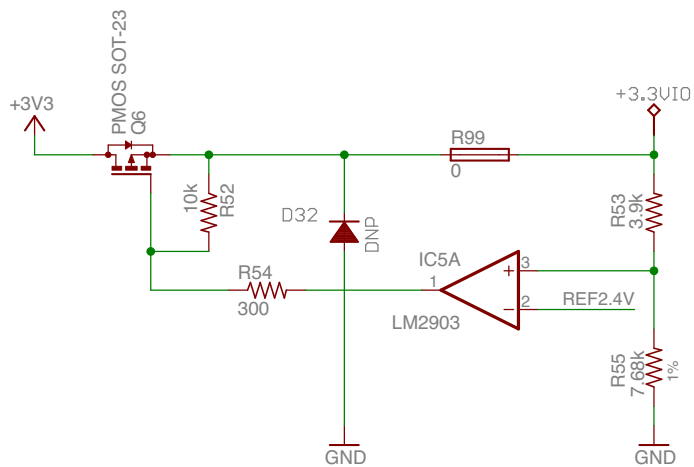
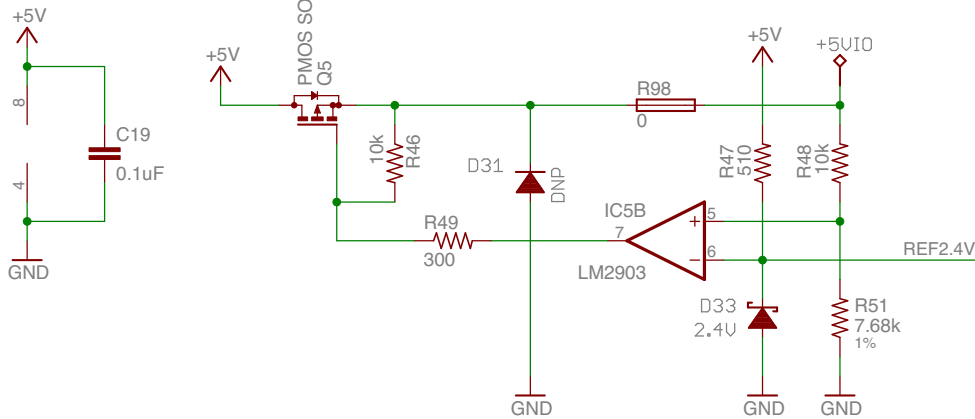
Document Number: AM010

REV: A

Date: 5/21/11 8:41 PM

Sheet: 3/4

USB Interface



# Power Connector

Rugged Circuits LLC  
Copyright 2011. All Rights Reserved.

TITLE: am010

Document Number: AM010

REV: A

Date: 5/21/11 8:41 PM

Sheet: 4/4