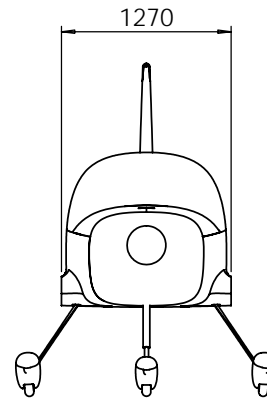
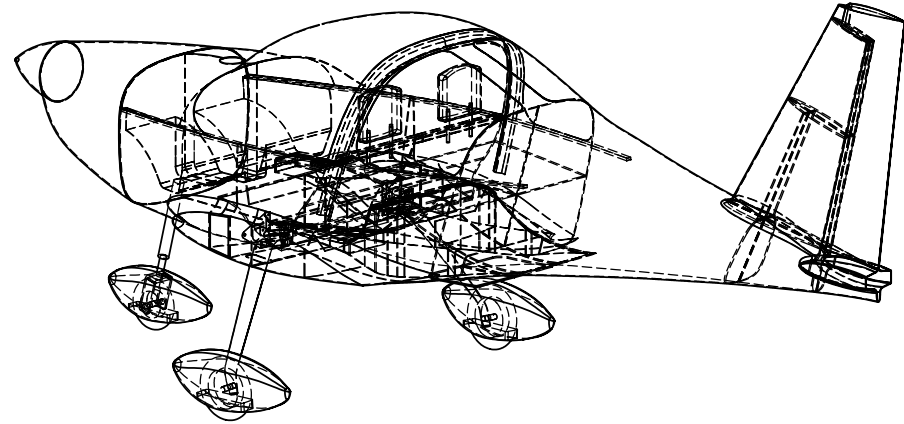
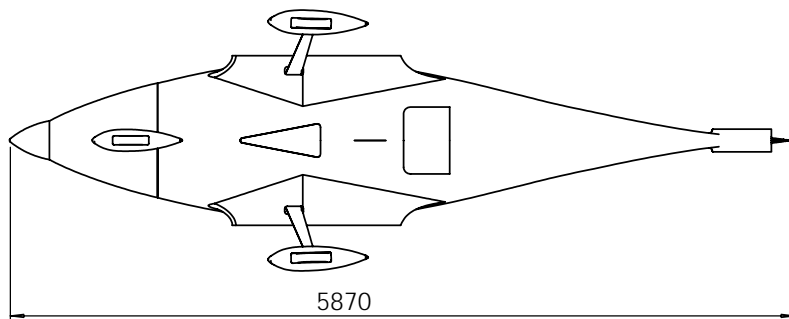
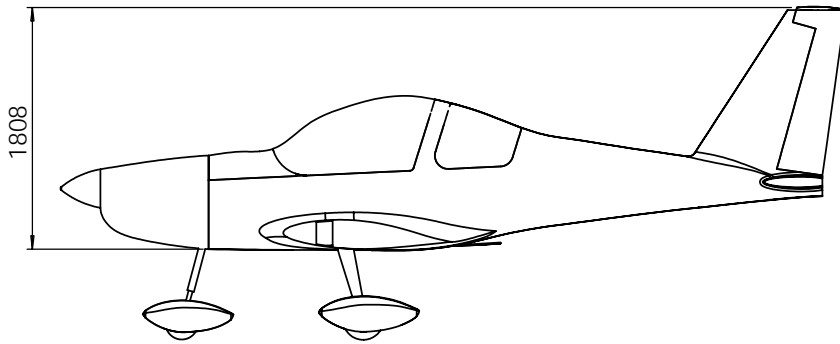
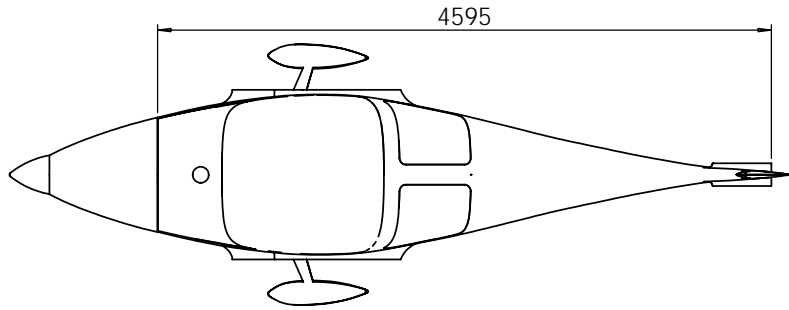

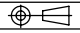


MATERIAL USED

QUANTITY



PART NO	QUANTITY	TITLE	MATERIAL	REMARKS	DRAWING NO
DRAWN:	B. VAN STRATEN	SHEET:	2 / 3	 <small>Loan van Yperburg 46 2497 GB DEN HAAG The Netherlands WWW.DAC-BANGER.NL</small>	
DATE:	03-10-04	SCALE:	1:40		
TOLERANCES:		DIMENSIONS:	mm		
PROJECTION:		SIZE:	A3	TITLE:	Fuselage dimensions
<small>ALL RIGHTS RESERVED. DISCLOSURE TO THIRD PARTIES OF THIS DOCUMENT OR ANY PART THEREOF, OR THE USE OF ANY INFORMATION CONTAINED THEREIN FOR PURPOSE OTHER THAN PROVIDED BY THIS DOCUMENT IS NOT PERMITTED, EXCEPT WITH PRIOR AND EXPRESS WRITTEN PERMISSION.</small>					DRAWING NO.: DAC02-01-A-010 RELEASE NUMBER: 1