

6 S 700 TO ZF-Ecolite (Truck)

6-speed synchromesh transmission for small trucks



- 6 S 700 TO - Basic transmission
- 6 S 705 TO - Transmission with clutch-dependent PTO

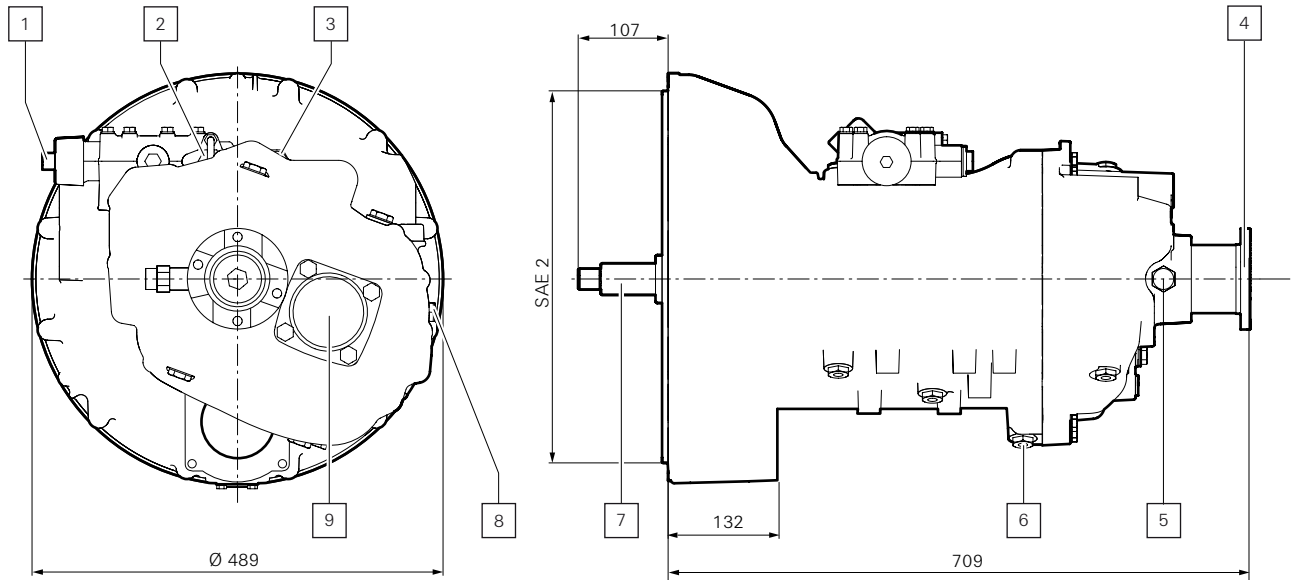
Transmission type	6 S 700 TO
Input torque	max. 700 Nm
Weight without oil and auxiliaries	≈ 103 kg
Oil capacity for standard installation	≈ 6.0 dm ³
Oil grade	as specified in ZF List of Lubricants TE-ML 02
Clutch bell housing	SAE2, integrated
Gearshift system	Standard: Linkage shift system horizontal/left Option: Linkage shift system horizontal/right Cable shift system horizontal/left with Servoshift

Standard ratios in gears

1	2	3	4	5	6	R
6.02	3.32	2.07	1.40	1.00	0.79	5.58

6 S 700 TO

Installation dimensions



- | | |
|--|--|
| 1 Selector output | 6 Oil drain |
| 2 "Neutral" signal transmitter | 7 Input |
| 3 "Reverse gear" signal transmitter | 8 Oil fill and oil overflow check |
| 4 Output | 9 Connection point for clutch-dependent PTO |
| 5 Speedo sensor | |