

C.I.P.

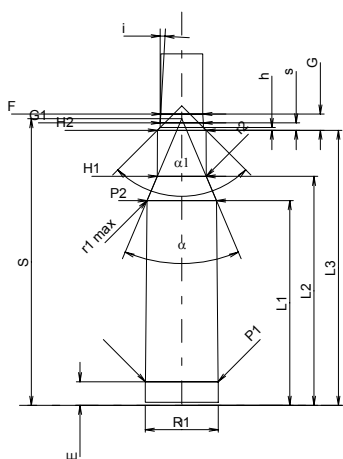
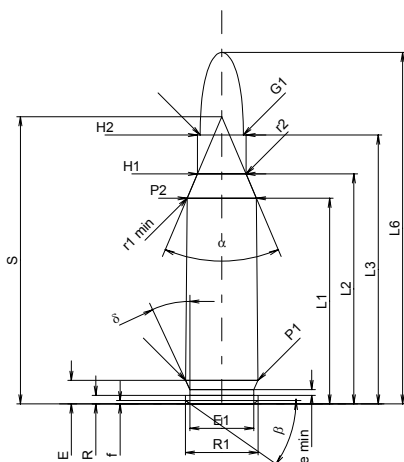
221 Rem. Fireball

Country of Origin: US

TAB. IV

Date 84-06-14

Revision 00-06-07



CARTRIDGE MAXI

Lengths

L1 ¹⁾	=	27.20	-0.20
L2 ¹⁾	=	30.42	-0.20
L3 ¹⁾	=	35.56	
L4	=		
L5	=		
L6	=	46.48	

Case Head

R	=	1.14	
R1	=	9.60	
R3	=		
E	=	3.13	
E1	=	8.43	
e min	=	0.76	
delta	=	25°	
f	=	0.45	
beta	=	35°	

Powder Chamber

P1	=	9.58	
P2 ^{1)*}	=	9.162	-0.20

Junction Cone

alpha*	=	46°	
S*	=	37.98	
r1 min	=	0.64	
r2	=	2.54	

Collar

H1*	=	6.43	
H2 ¹⁾	=	6.43	

Projectile

G1 ¹⁾	=	5.70	
G2	=		
F	=		
L3+G ¹⁾	=	37.72	

Pressures (Energies)

Method Transducer

Pmax	=	3200 bar	
PK	=	3680 bar	
PE	=	4160 bar	
M	=	17.50	

Miscellaneous Dimensions

Fe ¹⁾	=	0.15	
delta L	=		

CHAMBER MINI

Lengths

L1	=	27.08	
L2	=	30.28	
L3 ¹⁾	=	36.37	

Breech

R	=		
R1	=	9.65	
R2	=		
R3	=		
r	=		

Powder Chamber

E	=	3.13	
P1 ¹⁾	=	9.61	
P2*	=	9.19	

Junction Cone

alpha ^{1)*}	=	46°	
S*	=	37.91	
r1 max	=	0.64	
r2	=	3.18	

Collar

H1*	=	6.48	
H2 ¹⁾	=	6.45	

Commencement of Rifling

G1 ^{1)*}	=	5.69	
G ¹⁾	=	2.16	
alpha1*	=	90°	
h	=	0.38	
s	=	0.99	
i ^{1)*}	=	3°10'48"	
w	=		

Barrel

F ^{1)*}	=	5.56	
Z ¹⁾	=	5.69	

Grooves

b	=	2.03	
N	=	6	
u	=	305.00	
Q	=	25.09	mm ²

Scale 1:1

Dimensions in << mm >>
Dimensions and Tolerances for Proof Barrels
see Appendix CR 1.

Notes: 1) Check for safety reasons
* Basic dimensions