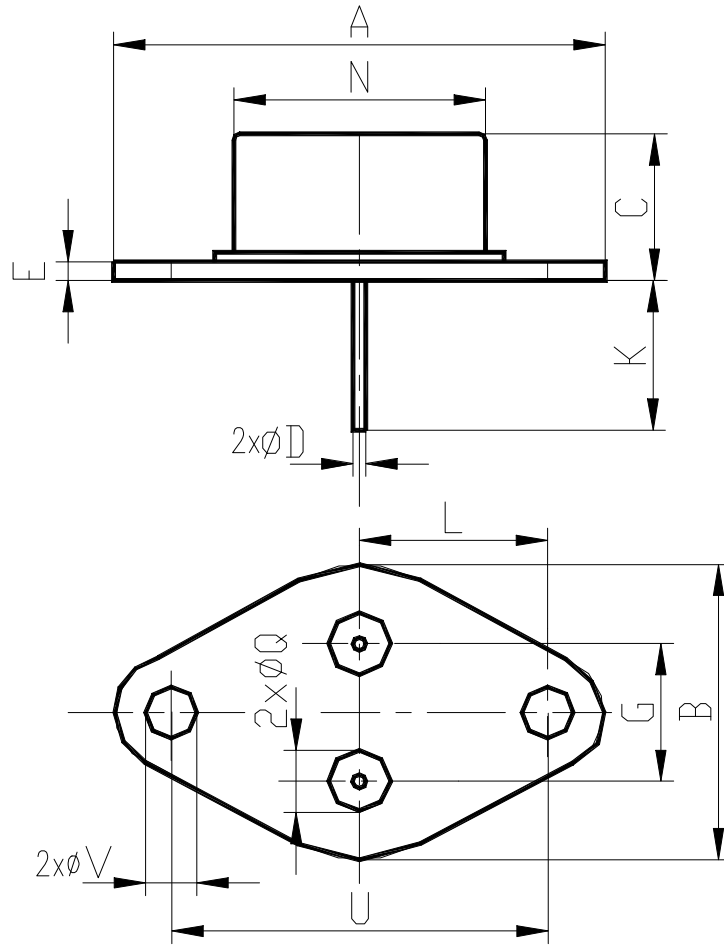


KT-9 (TO-3)



| Размеры | мм | |
|---------|-------|-------|
| | min | max |
| A | – | 39.15 |
| B | – | 26.5 |
| C | – | 10.2 |
| D | 0.98 | 1.05 |
| E | 1.52 | 1.6 |
| G | 10.8 | 11.2 |
| K | 11 | 13 |
| L | 16.7 | 17.1 |
| N | 19.75 | 20.05 |
| U | 29.9 | 30.1 |
| V | 4.1 | 4.22 |
| Q | 5.0 | 5.08 |