

VectorPak™ T-Struts

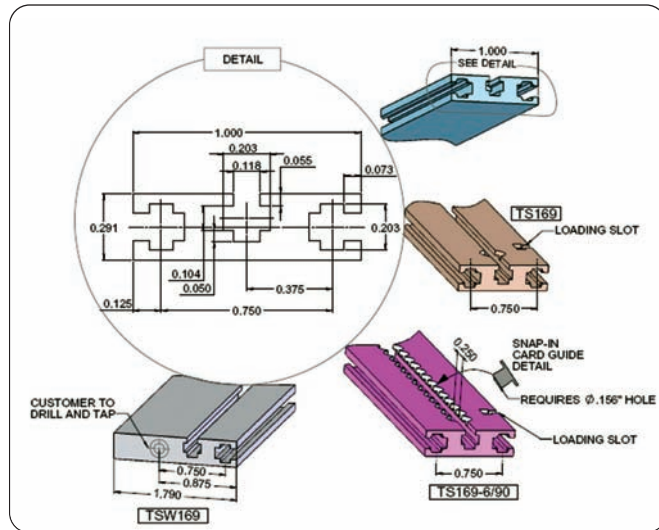
Vector T-Struts can be used for custom assemblies or to fit existing cage assemblies. Available with two nut slots. As an alternative, mounting brackets (BR16A, available separately) may be used to attach struts to cages. Strut material is aluminum with clear irridite finish. Struts are attached to side panels with 10-32 screws (Part No. HD90).

T-Strut Hardware Kit - HD34 or HD34B for Connector Mounting

HD34 (1/2" screws) and HD34B (1/4" screws) are complete edge-connector mounting kits for attachment to VectorPak™ 'T'-Struts.

Each kit contains:

- 42, 4-40 locking screws (SC4-28, 1/2"L or SC4-27, 1/4"L)
- 42, 4-40 locking nuts (NT4-7)
- 42 lockwashers

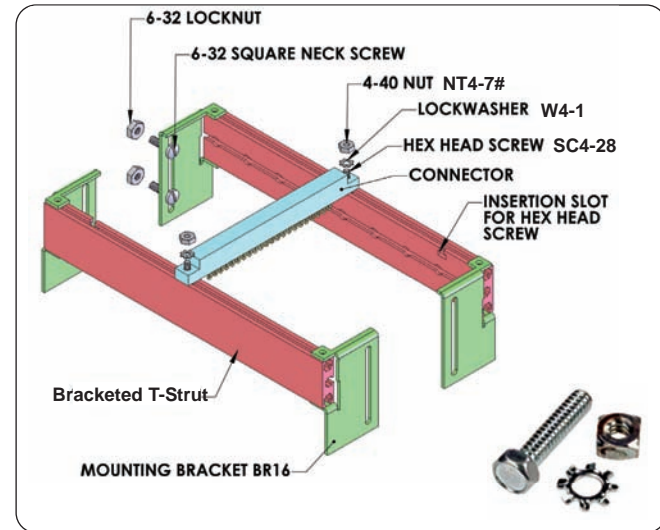


Figures showing T-Strut features - see table

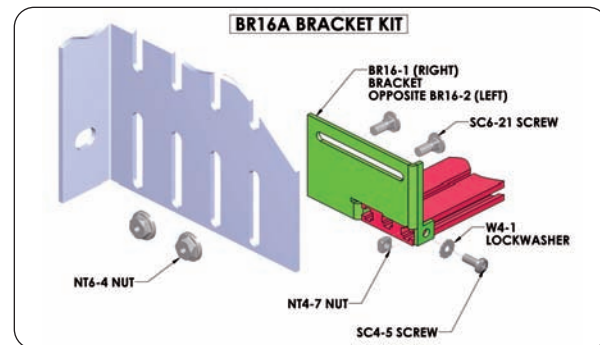


BR16A Bracket Kit includes two each BR16-1 (right) and BR16-2 (left) brackets plus installation hardware. Bracket assemblies are normally used on rear strut, though front strut may use them as well. HD90 Self-tapping Screws (pkg. 12 not shown) may also be used to mount T-struts to sidewalls.

NT4-7PA: Pkg 25 nuts that load into "T-Strut" groove



To mount connectors, simply slide nut into desired position and fasten with screws and lockwasher as illustrated. SC4-28 screws available in bulk quantities.



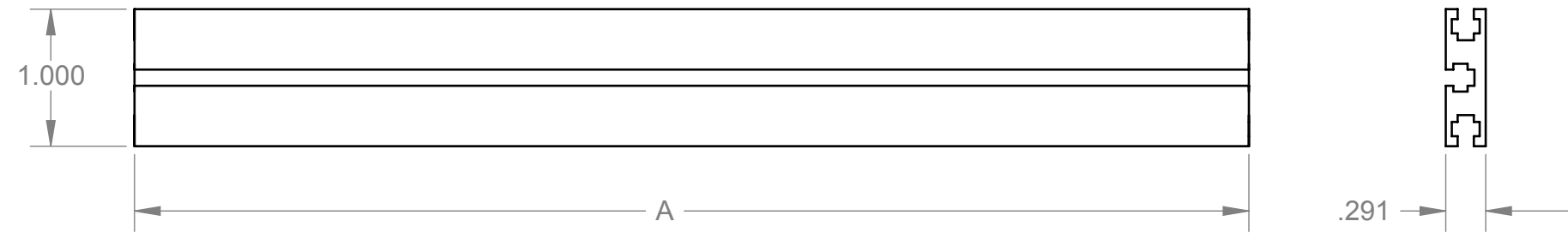
End Part No.	Length	Width	Method of Fastening	Fig.	Description
TS81	8.12"	1"	BR16 Brackets or HD90 Screws	1	1" wide T-strut, Pk. of 1 each
TS81-5/90	8.12"	1"	BR16 Brackets or HD90 Screws	4	1" wide T-strut, Pk. of 1 each
TS169	16.85"	1"	BR16 Brackets or HD90 Screws	1	1" wide T-strut, Pk. of 1 each
TSW169	16.85"	1.75"	HD90 Screws	5	1.75" wide T-strut, Pk. of 1 each
TS169-6/90	16.85"	1"	HD90 Screws	4	1" wide T-strut, Pk. of 1 each, dimpled for Snap-in guide insertion
TS209	20.85"	1"	BR16 Brackets or HD90 Screws	1	1" wide T-strut, Pk. of 1 each
TS300	30.00"	1"	Raw Stock	1	1" wide T-strut, Pk. of 1 each
TSW300	30.00"	1.75"	Raw Stock	5	1.75" wide T-strut, Pk. of 1 each
TS600	60.00"	1"	Raw Stock/pkg.	3	1" wide T-strut, Pk. of 4 pcs.

Custom lengths available on request

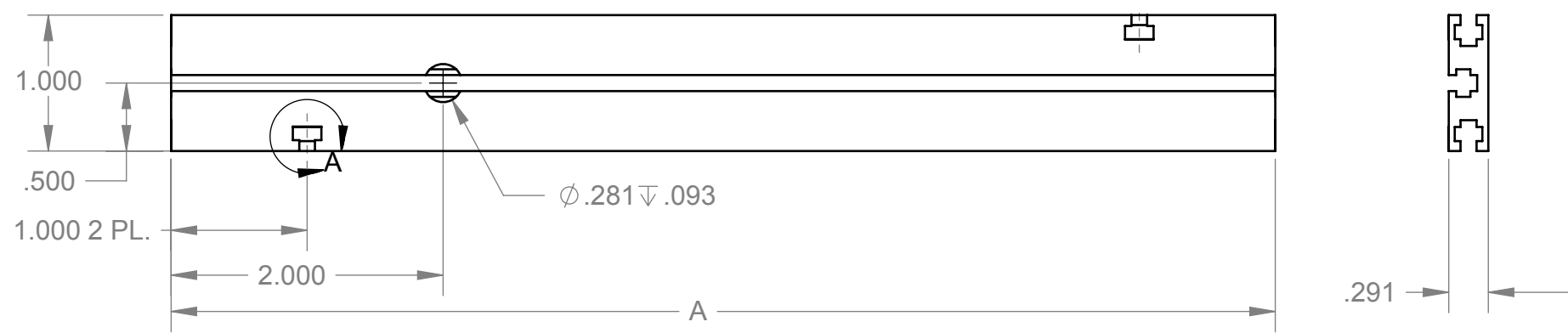


REVISIONS				
ZONE	REV.	DESCRIPTION	DATE	APPROVED
ALL	A	TABLE REDRAWN ECO 3290	12/10/86	
	B	REMOVED UNUSED P/N#	02/10/09	

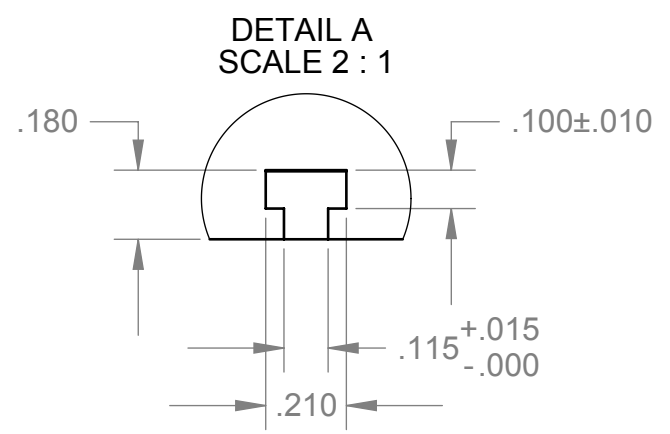
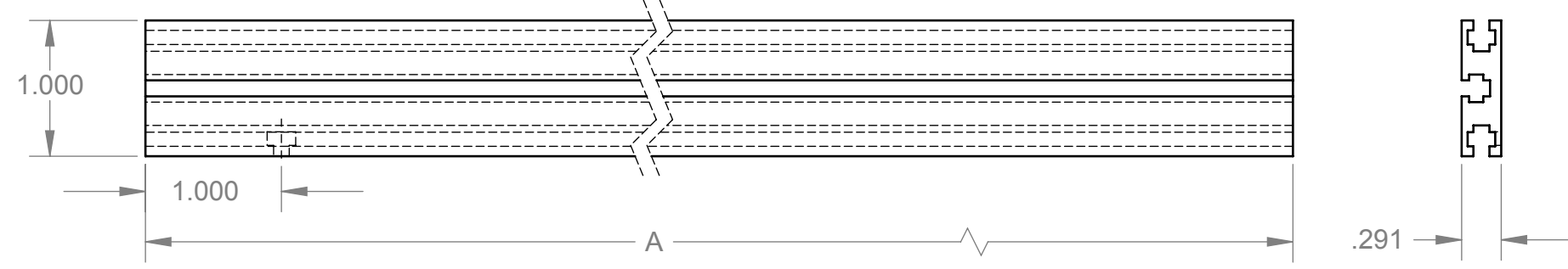
DETAIL 1



DETAIL 2



DETAIL 3



PART NO.	"A" DIM.	DETAIL NO.
TS81	8.120	2
TS169	16.850	2
TS209	20.850	2
TS300	30.00 +1.50/-0.00	1
TS600	60.00 +1.50/-0.00	1
TS169-3	16.850	3

- 5. DEGREASE
- 4. STRAIGHT WITHIN .015/10" IN LENGTH
- 3. CUT ENDS TO BE SQUARE WITHIN .0025/INCH IN WIDTH
- 2. REMOVE ALL BURRS
- 1. MAT'L: AL. EXTRUSION, 6063-T6, PRE-ANOD., P/N TS100

NOTES: UNLESS OTHERWISE SPECIFIED.

PROPRIETARY AND CONFIDENTIAL
 THE INFORMATION CONTAINED IN THIS DRAWING IS THE SOLE PROPERTY OF VECTOR ELECTRONICS & TECH., INC. ANY REPRODUCTION IN PART OR AS A WHOLE WITHOUT THE WRITTEN PERMISSION OF VECTOR ELECTRONICS & TECH., INC. IS PROHIBITED.

UNLESS OTHERWISE SPECIFIED:
 DIMENSIONS ARE IN INCHES
 TOLERANCES:
 FRACTIONAL ±
 ANGULAR: ± X°
 TWO PLACE DECIMAL ±.03
 THREE PLACE DECIMAL ±.005
 INTERPRET GEOMETRIC TOLERANCING PER:
 MATERIAL **1**
 FINISH
 DO NOT SCALE DRAWING

	NAME	DATE
DRAWN	TRUSHAR	02/06/09
CHECKED		
ENG APPR.		
MFG APPR.		
Q.A.		

THIRD ANGLE PROJECTION

VECTOR 11115 VANOWEN ST., NORTH HOLLYWOOD, CA 91605
 ELECTRONICS & TECHNOLOGY, INC.

T-STRUT W/O INSERTS

SIZE B	DWG. NO. 5280006	REV B
SCALE: 1:1	WEIGHT:	SHEET 1 OF 1

8 7 6 5 4 3 2 1

INSPECTION REQUIREMENTS	
1	CHECK OVERALL LENGTH
2	CHECK "C" DIMENSION
3	VERIFY .156 DIA. WILL FIT INTO PUNCHED RADII & .160 DIA. WILL NOT FIT INTO PUNCHED RADII
4	CHECK "B" DIMENSION
5	NO CHIPS IN THE BOTTOM OF SLOT

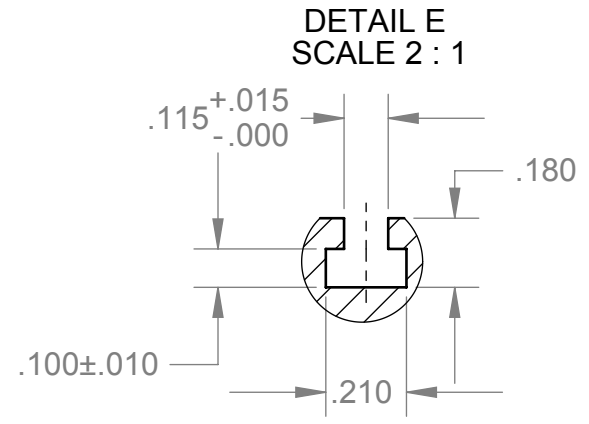
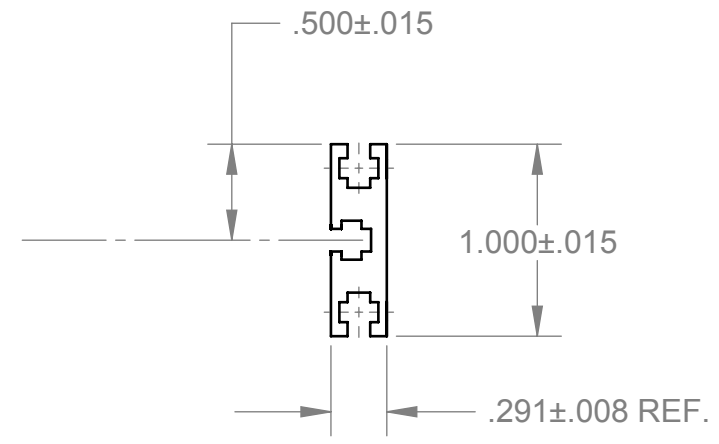
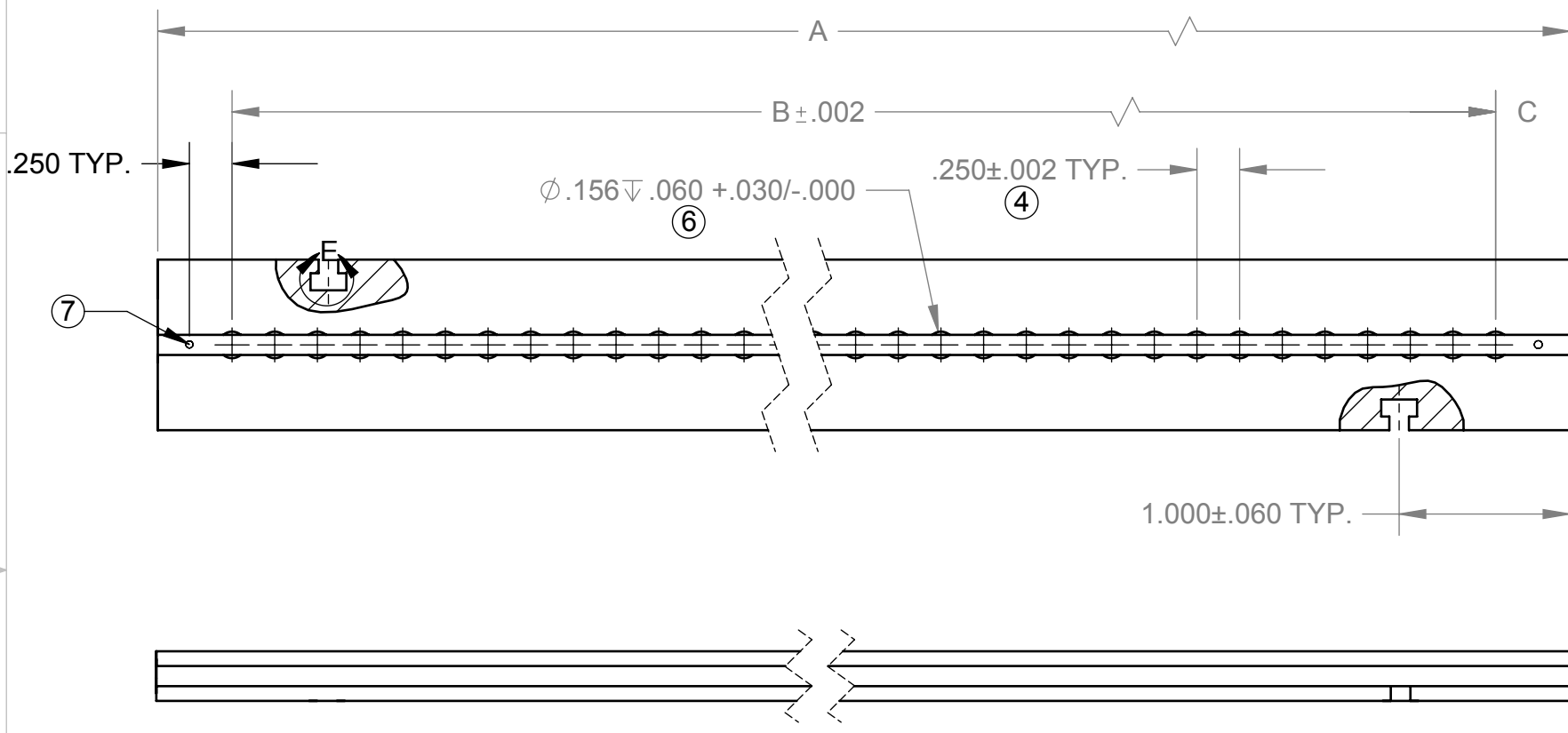
REVISIONS				
ZONE	REV.	DESCRIPTION	DATE	APPROVED
ALL	-	RELEASED FOR PROTOTYPE 100 UNITS OF CCK13S 50 CCM14S & 50 CCK13S	02/14/80	
	A1	P/N TS81-5 NO. OF HOLES WAS 30 ACTUAL STOCK PARTS HAVE 31	07/31/80	
	B	P/N TS81-5 "B" DIM. WAS 7.500 NO. OF HOLES WERE 31/ ECO2013	03/26/81	
	C	MOVED 1.000 DIM. LOCATION CALLOUT FOR CLARITY NO ECO		
	D	ADDED TS81-6 & -7		
	D	INC ECO 2628	12/17/84	
	E	INC ECO 3924		
	F	REMOVED P/N# TS81-6, -7 TS169-6, TS209-5	02/10/09	

D

C

B

A



PART NO.	A	B	C	NO. OF HOLES
TS81-5/90	8.120	7.250	.435	30
TS169-6/90	16.850	15.750	.675	64

- ⑦ TOOLING MARK MAY APPEAR
- ⑥ USE .1565 DIA. PUNCH TO FORM RADIUS EQUAL WITHIN ±.005 FROM \bar{C} OF SLOT
- 5. PART TO BE FREE OF BURRS AND SURFACE SCRATCHES
- ④ NON CUMULATIVE TOLERANCE
- 3. PART TO BE STRAIGHT WITHIN .015/10 INCHES IN LENGTH
- 2. CUT ENDS TO BE SQUARE WITHIN .0025/INCH IN WIDTH
- 1. MAT'L: AL. EXTRUSION, 6063-T6, PRE-ANOD., P/N TS100

NOTES: UNLESS OTHERWISE SPECIFIED.

PROPRIETARY AND CONFIDENTIAL
THE INFORMATION CONTAINED IN THIS DRAWING IS THE SOLE PROPERTY OF VECTOR ELECTRONICS & TECH., INC. ANY REPRODUCTION IN PART OR AS A WHOLE WITHOUT THE WRITTEN PERMISSION OF VECTOR ELECTRONICS & TECH., INC. IS PROHIBITED.

UNLESS OTHERWISE SPECIFIED:		NAME	DATE
DIMENSIONS ARE IN INCHES	DRAWN	TRUSHAR	02/10/09
TOLERANCES:	CHECKED		
FRACTIONAL ±	ENG APPR.		
ANGULAR: ± X°	MFG APPR.		
TWO PLACE DECIMAL ±.03	Q.A.		
THREE PLACE DECIMAL ±.005			
INTERPRET GEOMETRIC TOLERANCING PER:			
MATERIAL 1	THIRD ANGLE PROJECTION		
FINISH			
DO NOT SCALE DRAWING			

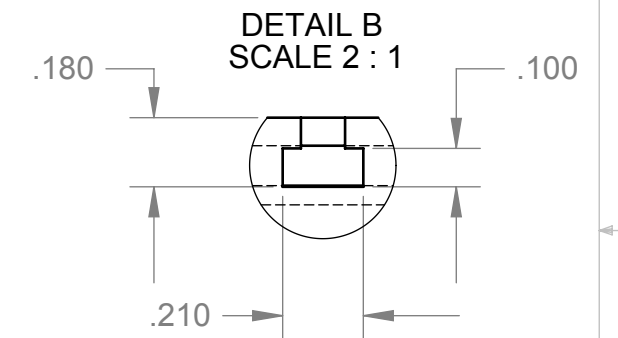
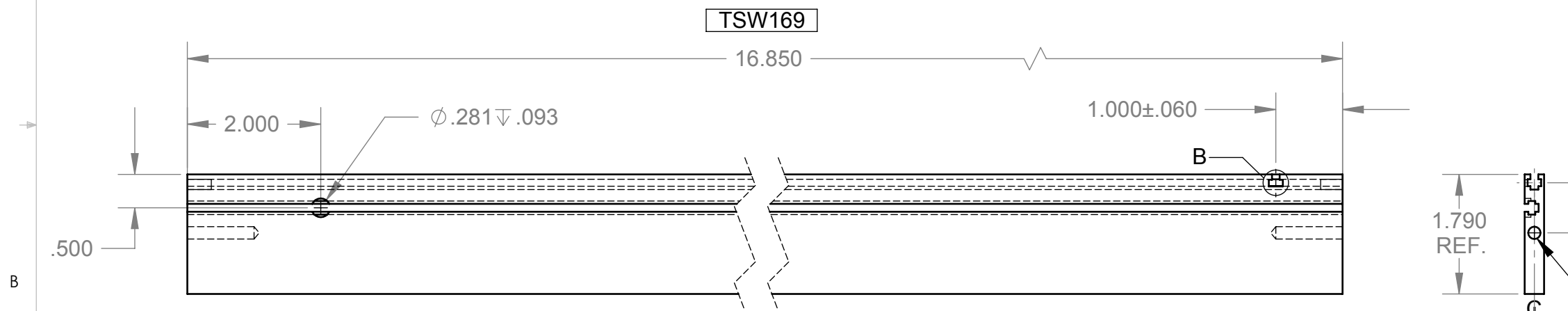
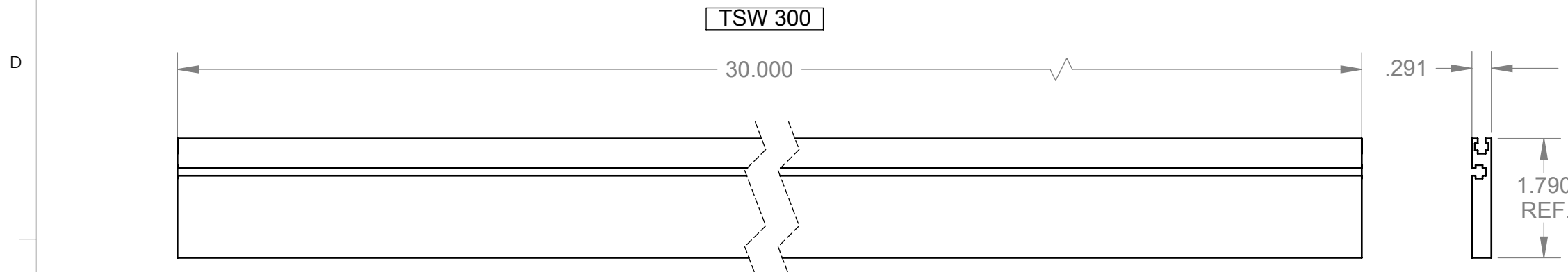
VECTOR 11115 VANOWEN ST., NORTH HOLLYWOOD, CA 91605

T-STRUT FOR SNAP-IN CARD GUIDE

SIZE	DWG. NO.	REV
B	M6336D4.2	F
SCALE: 1:1	WEIGHT:	SHEET 1 OF 1

8 7 6 5 4 3 2 1

REVISIONS				
ZONE	REV.	DESCRIPTION	DATE	APPROVED
ALL	C	ADDED DET. NO. 4 ECO 1481 ADDED P/N TSW169-4	06/05/74	
	C1	ADDED CAT NO. TSW-81N-4	09/22/74	
	C2	DIM .875 WAS .825		
	D	REV'D Ø.281 HOLE POS. ECO 1682		
	D1	ADDED Z4424-30-4 & -5 TO TABLE		
	E	ECO 1926	01/07/80	
	E1	P/N M4424-30-1 WAS DETAIL 3 & INSERT WAS NONE (ERROR)	12/08/81	
	E2	DELETED P/N M4424-30-1	12/15/81	
	F	INC ECO 3924		
	F1	DETAIL 4 HOLE SIZE WAS Ø.1875 +.003/-.000 x .312 +.020/-.000 DEEP		
	F2	INC ECO 3949		
	F3	ADDED NOTE 10		
	F4	REMOVED NO LONGER USED P/N#	02/10/09	



- ⑥. USE SQUARE ENDED CLOSE FITTING GAUGE PIN TO CHECK DEPTH OF HOLE
 5. PARTS TO BE DEGREASED AFTER FABRICATION
 ④. PARTS TO BE FREE OF BURRS & SURFACE SCRATCHES REMOVE ALL BURRS FROM EXTRUDED T-SLOTS
 3. PART TO BE STRAIGHT WITHIN .015/10 INCHES IN LENGTH
 2. CUT ENDS TO BE SQUARE WITHIN .0025/INCH IN WIDTH
 1. MAT'L: AL. EXTRUSION, 6063-T6

NOTES: UNLESS OTHERWISE SPECIFIED.

PROPRIETARY AND CONFIDENTIAL
 THE INFORMATION CONTAINED IN THIS DRAWING IS THE SOLE PROPERTY OF VECTOR ELECTRONICS & TECH., INC. ANY REPRODUCTION IN PART OR AS A WHOLE WITHOUT THE WRITTEN PERMISSION OF VECTOR ELECTRONICS & TECH., INC. IS PROHIBITED.

UNLESS OTHERWISE SPECIFIED:

DIMENSIONS ARE IN INCHES	DRAWN	TRUSHAR	DATE	02/10/09
TOLERANCES:	CHECKED			
FRACTIONAL ±	ENG APPR.			
ANGULAR: ± X°	MFG APPR.			
TWO PLACE DECIMAL ±.03	Q.A.			
THREE PLACE DECIMAL ±.005				
INTERPRET GEOMETRIC TOLERANCING PER:				
MATERIAL 1	THIRD ANGLE PROJECTION			
FINISH <input type="checkbox"/>				
DO NOT SCALE DRAWING				

NAME	DATE
TRUSHAR	02/10/09

VECTOR 11115 VANOWEN ST., NORTH HOLLYWOOD, CA 91605
ELECTRONICS & TECHNOLOGY, INC.

T-STRUT DETAIL
TSW-SER.

SIZE	DWG. NO.	REV
B	M4424D5.30	F
SCALE: 1:2	WEIGHT:	SHEET 1 OF 1