

215ss-15 Modern Shade



Suggested yarn:

- Pierrot Yarns Heat+ [100% polyester; 113 yds./103m per 1.41 oz./40g skein]; color #08 dark gray, 4 skeins [130g]

Tools/Notions:

- 2.5mm (approx. US B or C) crochet hook or size necessary to achieve gauge
- corrugated cardboard or thick paper such as cardstock
- light fixture up to 4cm/1.57" in diameter

Finished measurements:

- Please see schematic.

Gauge (10cm/4" square):

- No gauge information is provided in the original pattern. Use hook size necessary to achieve the desired finished measurements.

Gauge may vary according to individual crochet style. Change hook size if necessary to achieve gauge. Alternatively, rework pattern with your own gauge measurements.

Summary

❖**Note:** Like all Japanese patterns, stitch counts given here for foundation chains do **not** include any chain sts needed for turning posts.

Shade panels: ch29 to begin, then work lower section in pattern stitch. Working into foundation chain for lower section, continue to upper section. Make 6 of the same panel.

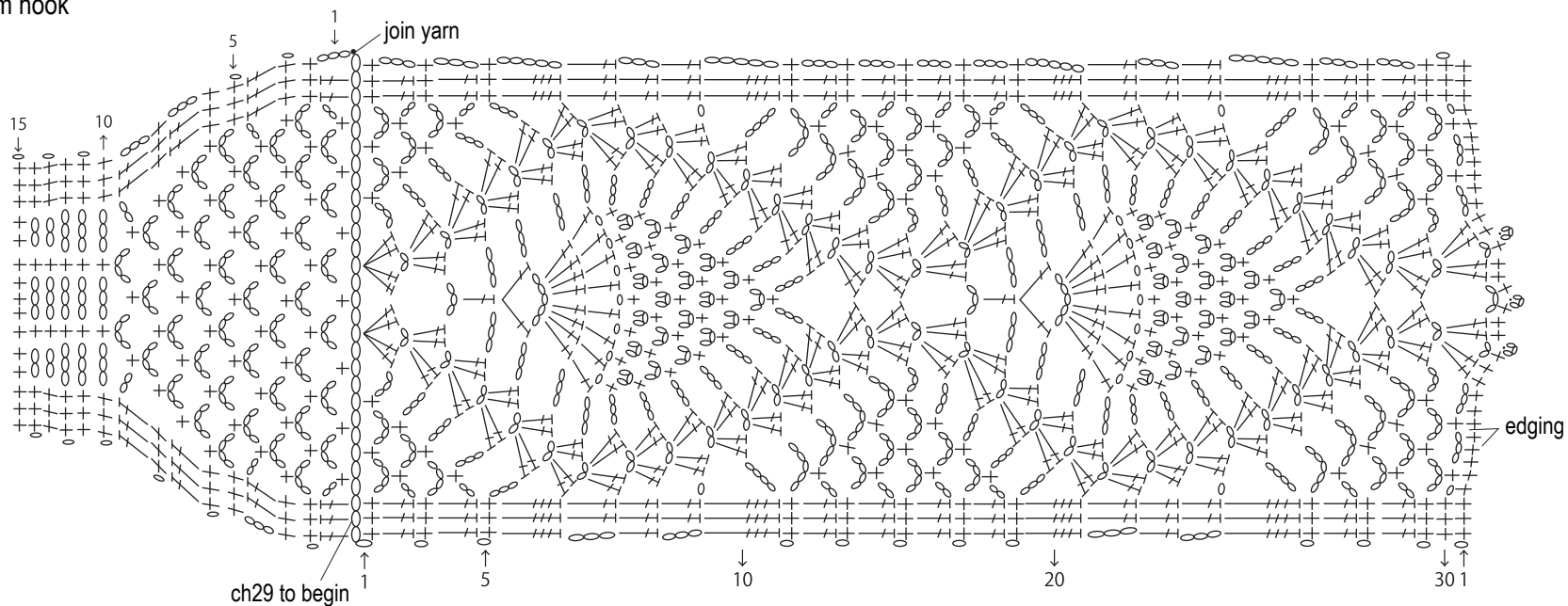
Finishing: Lightly iron the 6 panels without steam, blocking all to the same size. Seam the 6 panels together 2 at a time with wrong sides facing each other (that is, right side out) using single crochet (US). Create a hexagonal lampshade shape with cardboard, then place the lampshade over the cardboard. Apply steam with iron. Remove cardboard after yarn has stiffened. Crochet cord and thread through opening in upper section. Use cord to fasten light fixture in place.

Abbreviations:

ch = chain sc = single crochet (US)

Shade panels (make 6)

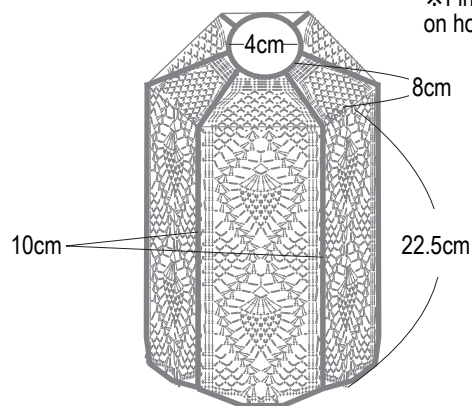
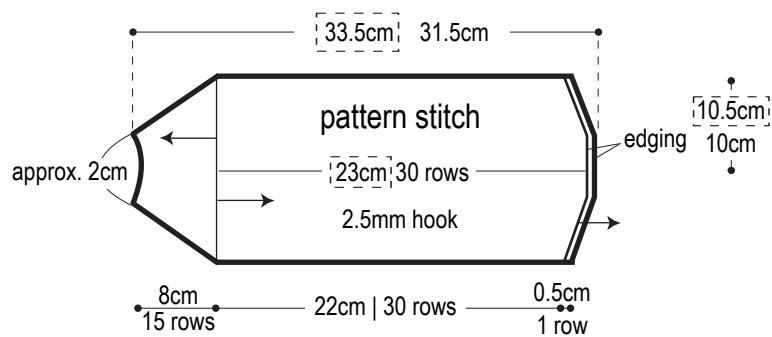
2.5mm hook



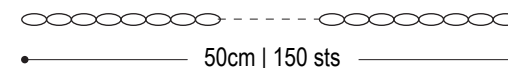
Finished measurements

(after steaming with iron)

※Finished size may differ depending on how much you steam block it.



Cord (2.5mm hook)

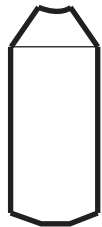


※ [dashed box] = pre-blocking measurement

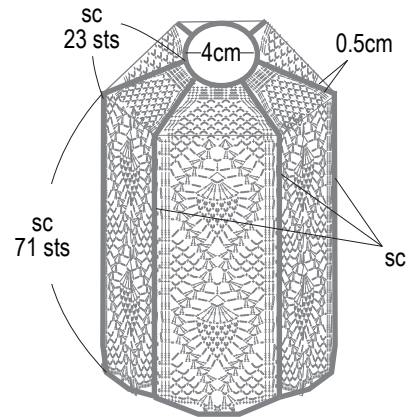
Elsewhere, numbers given are post-blocking measurements.

Finishing

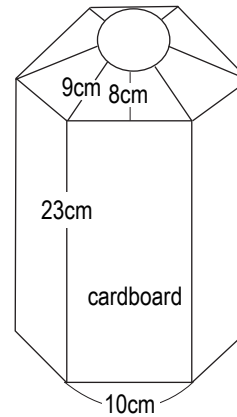
Crochet 6 identical panels.
Block all panels to same size
using iron (without steam).



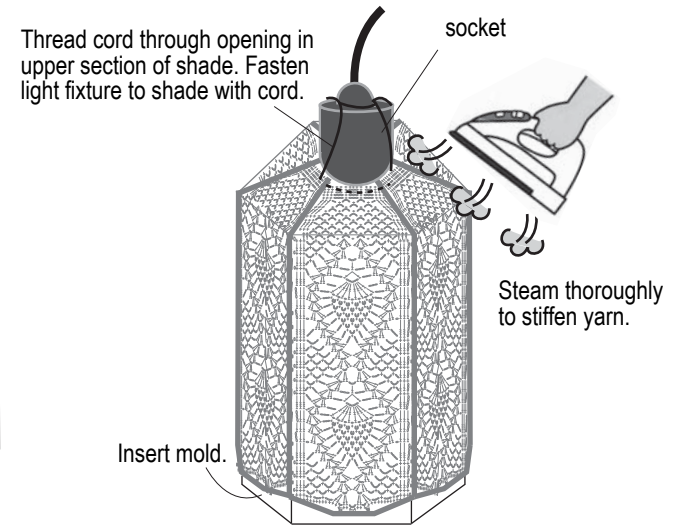
× 6 panels



Working 2 panels at a time,
seam the 6 panels together
with sc with right sides out.



Create hexagonal mold shape
with corrugated cardboard or
thick paper such as cardstock.

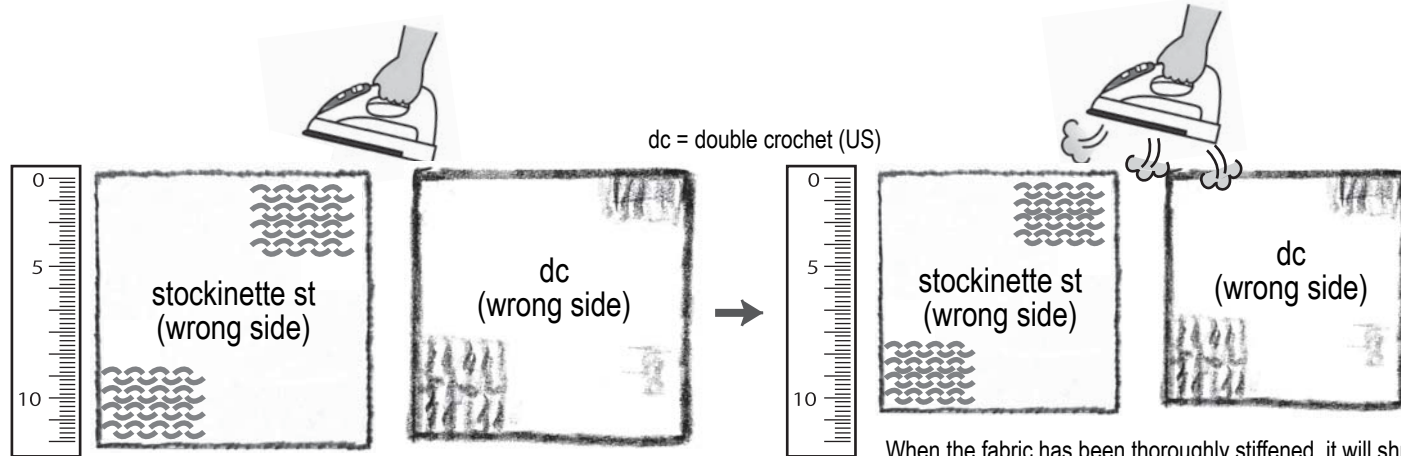


*You can use a light fixture
up to 4cm in diameter.

HEAT+ stiffening method (using steam iron)

Lightly iron dry fabric without steam.

Hold iron slightly above fabric; steam thoroughly.

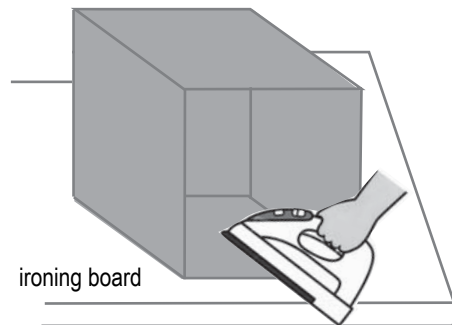


Iron directly on top of flat knitted or crocheted fabric.
If the fabric is not uniform, stretch the fabric into shape.
*Set iron to medium heat.

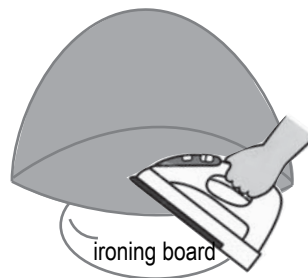
*Adjust the fabric's degree of hardness by adjusting your steam iron's settings. The temperature setting needed to produce steam may vary from medium to high heat depending on your iron.

When the fabric has been thoroughly stiffened, it will shrink about 10%. Amount of shrinkage will depend on individual stitches and stitch patterns.

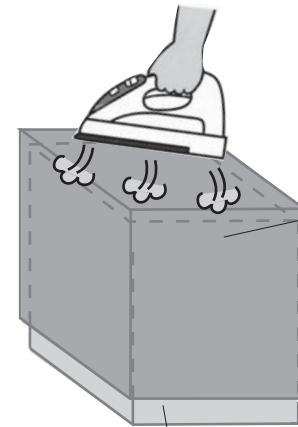
How to iron cubes and round objects



*Block flat items with an iron (without steam) first. Depending on the object, there may be times when you want to steam it first.



*When ironing, don't use a towel or other fabric that will pill or transfer fluff onto your item. Fuzz may stick to the item as the item shrinks and stiffens.



Create a mold in the correct shape using corrugated cardboard or thick paper.

Place item on top of mold, then steam thoroughly with iron.



Use bowl or other round item to steam round objects. (Be sure that the item can withstand steam from iron.)