

23-24-5 Textured Sweater



Suggested yarn:

- Pierrot Yarns Junmo Namibuto2/Pure Wool [100% superwash wool; 79 yds/72m per 1.41 oz./40g skein]; color #101 (*discontinued* - color #29 deep beige recommended as substitute), 11 skeins [440g]

Tools/Notions:

- 3.6mm (approx. US 5), 3.9mm (approx. US 6), and 4.2mm (approx. US 7) straight knitting needles or sizes necessary to achieve gauge
- 3.6mm (approx. US 5) and 3.9mm (approx. US 6) circular knitting needles or sizes necessary to achieve gauge

Finished measurements:

- bust 94cm/37.01"
- cross back width 36cm/14.17"
- length 58cm/22.83"
- sleeve length 53cm/20.87"

Gauge (10cm/4" square):

- stockinette stitch: 18 sts and 24 rows
- pattern stitch: 20 sts and 24 rows

Gauge may vary according to individual knitting style. Change needle size if necessary to achieve gauge. Alternatively, rework pattern with your own gauge measurements.

Knitting Tips

Body and sleeves: Cast on with crochet provisional cast-on method. Work in stockinette stitch and pattern stitch. Pick up live stitches around hem and cuff; work k1p1 ribbing followed by stockinette stitch. Bind off in pattern from wrong side.

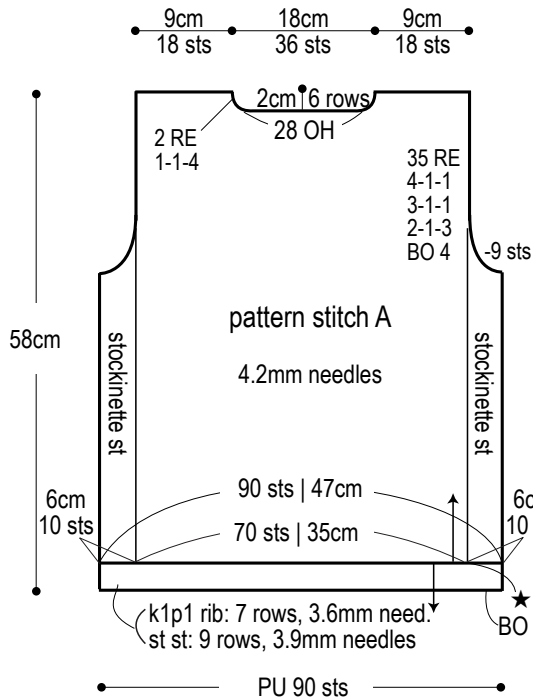
Collar: Seam shoulders with three-needle bind-off. Pick up stitches around back and front necklines; work collar in k1p1 ribbing followed by stockinette stitch. Bind off in pattern from wrong side.

Finishing: Seam sides and sleeve undersides with mattress stitch. Seam sleeves to body with slip stitch.

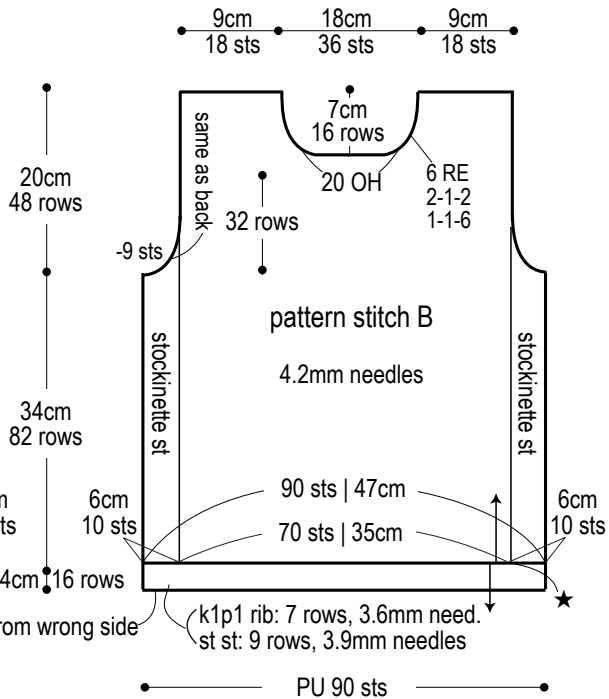
Abbreviations:

- BO = bind off
- CO = cast on
- OH = on hold (that is, place on stitch holder)
- PU = pick up
- RE = row(s) even
- ### = rows-stitches-times

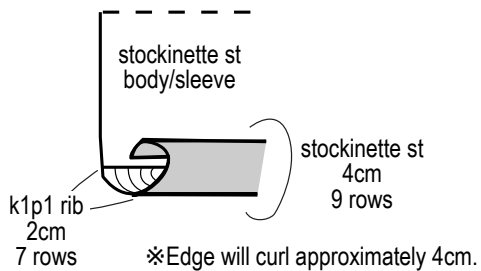
Back



Front

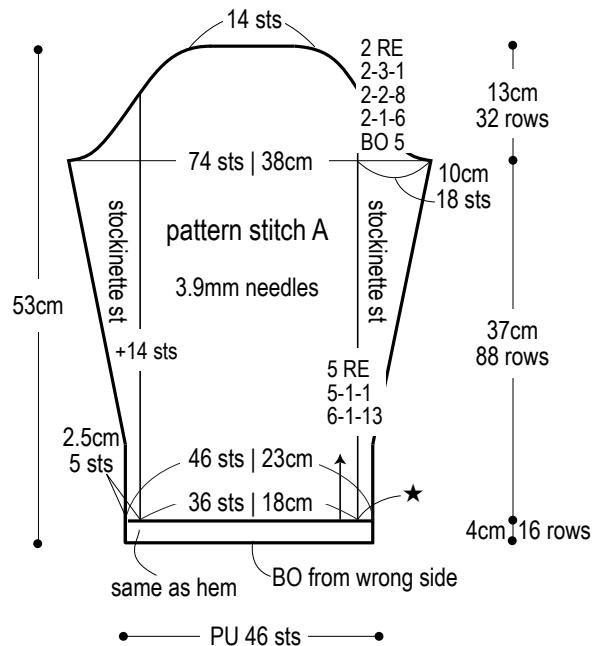


Collar & hem



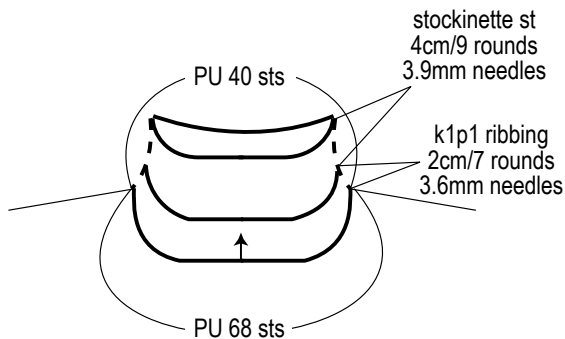
Left sleeve

Use pattern stitch B for right sleeve.



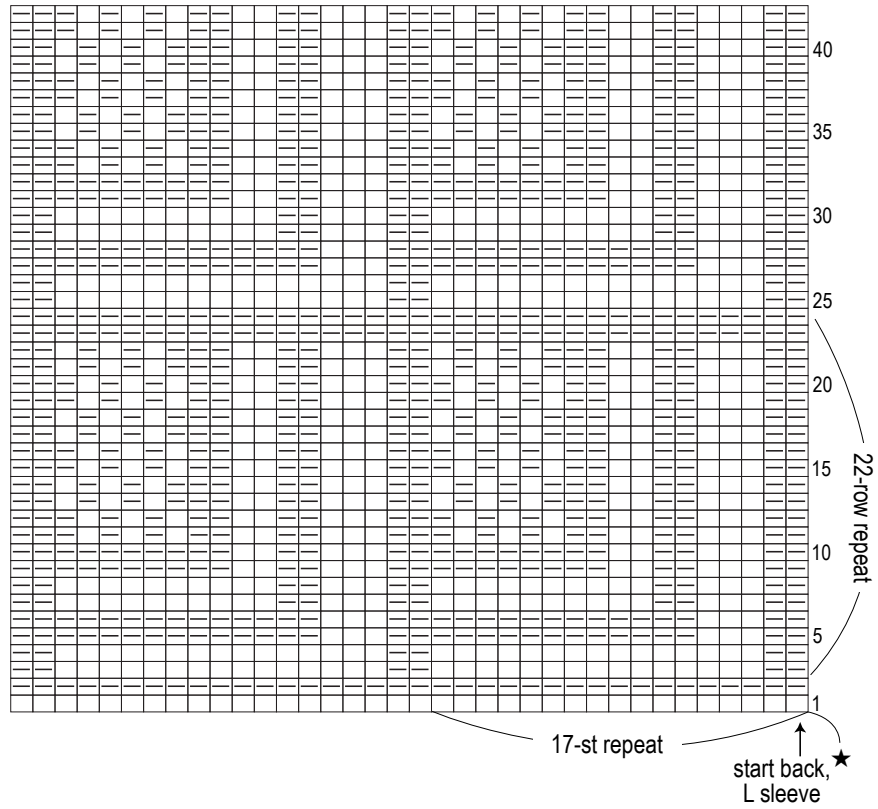
Collar

(3.6mm and 3.9mm circular needles)



Pattern stitch A (back, left sleeve)

□ = □ knit stitch



Pattern stitch B (front, right sleeve)

□ = □ knit stitch

