



# PANEL JACKET

Designed by **CAROL LAPIN**

## FINISHED SIZE

Chest: 52"  
Length at Center Back: 24"

## MATERIALS

14 balls Lana Grossa Royal Tweed  
(100% merino wool, 110 yds in 50 g)  
*Shown in color #21*

## NEEDLES

Two size US 9 (5.5 mm) 24" circular needles  
and set of two double pointed needles **or**  
**size required to obtain gauge**

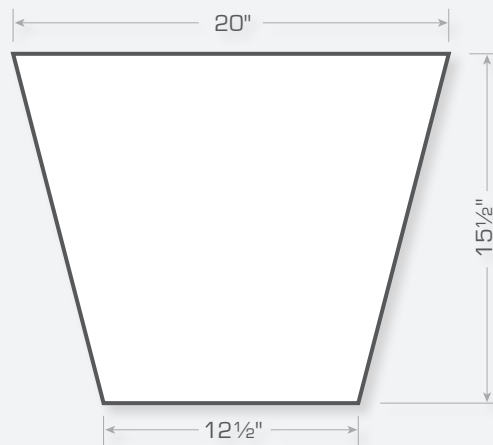
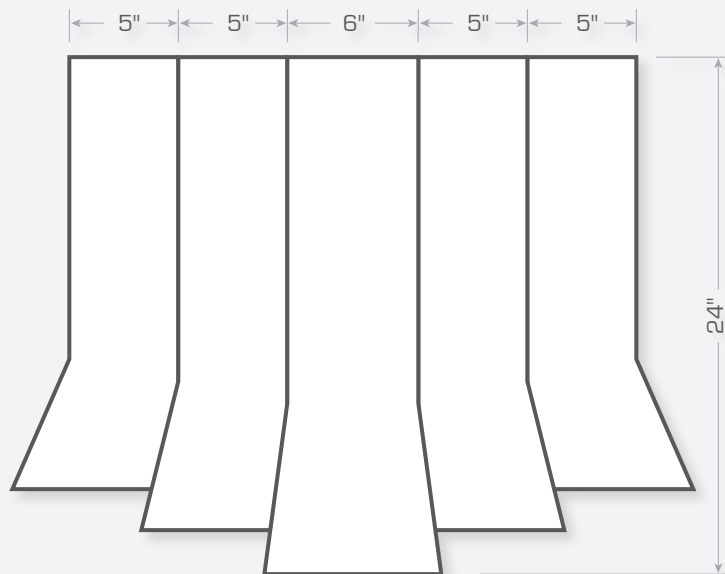
Stitch holders

## GAUGE

16 sts and 32 rows = 4" in garter st

## NOTES

1. The jacket is made of 10 garter st panels which are joined using the 3 needle BO. The BO forms a decorative ridge on the RS of work.
2. All panels are knit with a selvedge st: on every row, the first st is slipped as if to knit and the last st is purled.
3. All shaping decs are worked inside the selvedge sts.



## CENTER BACK PANEL

CO 30 sts.

**ROW 1:** K to last st, P1.

**ROW 2:** Sl 1 as if to knit, K to last st, P1.

Rep row 2 for pattern.

When piece measures 3", dec 1 st at beg and end of row.  
When piece measures 6", dec 1 st at beg and end of row  
— 26 sts. Continue without further shaping until 192 rows  
(96 ridges) are complete. BO.

## INNER SIDE PANEL (MAKE 4)

CO 23 sts. Work as for back panel, dec 1 st at beg and end of  
row at 2" and at 5" — 19 sts. Continue without further shaping  
until 178 rows (89 ridges) are complete. Put sts on holder.



## OUTER SIDE PANEL (MAKE 4)

CO 23 sts. Work as for back panel, dec 1 st at beg and end of  
row at 2" and at 4" — 19 sts. Continue without further shaping  
until 164 rows (82 ridges) are complete. Put sts on holder.

## ASSEMBLE BACK

Start with Center Back Panel. With RS facing and starting  
at narrow end, pick up and K 1 st for each ridge along side  
of panel, leaving last 7 ridges free — 89 sts. Using another  
needle and Inner Side Panel, pick up and K 1 st for each  
ridge along side of panel — 89 sts. Join panels together with  
3 needle BO.

Along other side of Inner Side Panel, pick up and K 1 st for  
each ridge, leaving last 7 ridges free — 82 sts. Using another  
needle and Outer Side Panel, pick up and K 1 st for each  
ridge along side of panel — 82 sts. Join panels together with  
3 needle BO.

Rep for other side of Back.





## ASSEMBLE FRONTS (MAKE 2)

Using Inner Side Panel, with RS facing, pick up and K 1 st for each ridge, leaving last 7 ridges free — 82 sts. Using another needle and Outer Side Panel, pick up and K 1 st for each ridge along side of panel — 82 sts. Join panels together with 3 needle BO.

## JOIN BACK TO FRONTS AT SHOULDERS

Return sts on holders to needles, and join using 3 needle BO.

Count 40 ridges down from shoulder seam on fronts and back and place st markers at this point on side edges.

## SLEEVES

CO 50 sts. Work as for back panel, inc 1 st at beg and end of every 8th row 15 times — 80 sts. Work even until piece measures 15 ½" from beg.

Using another needle, pick up and K 1 st for each ridge between markers on side edge of jacket — 80 sts. Join sleeve to side edge with 3 needle BO.

Rep for other sleeve.

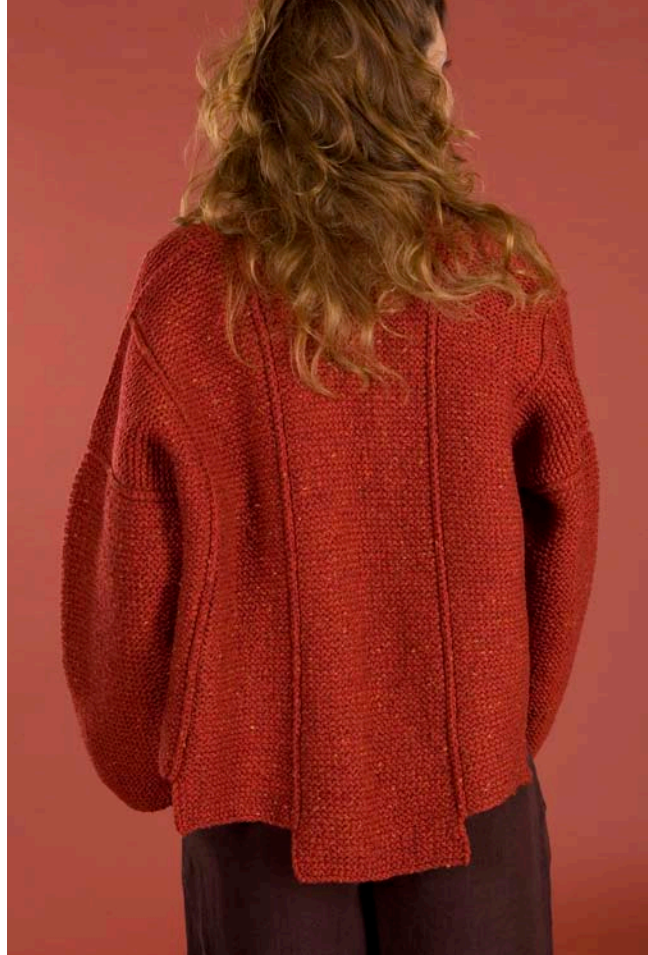
## LAPELS AND COLLAR

CO 19 sts. Work as for back panel until 436 rows (218 ridges) are complete. BO.

Leaving 7 ridges free at each end of this panel, pick up and K 1 st for each ridge — 204 sts. Using another needle, beg at lower edge of right front, pick up and K 1 st for each ridge along front edge (89 sts), then 26 sts across back neck, then 1 st for each ridge along left front edge (89 sts) — 204 sts total. Join lapel panel to front and neck edge with 3 needle BO.

## LAPEL AND COLLAR EDGING

Using double pointed needles, CO 3 sts. Beginning at lower corner of right lapel, \* pick up 1 st. Slide sts to opposite end of needle, pull yarn across back, K2, K2tog TBL. Rep from \* to lower corner of left lapel. BO.



## JOIN SIDES

Pick up and K 42 sts along side edge of Front. Using another needle, pick up and K 42 sts along corresponding side edge of Back. Join using 3 needle BO.

Rep for other side.

Sew sleeve seams.

## ABBREVIATIONS

---

beg.....begin/beginning	Pwise.....purlwise
BO.....bind off	rem.....remain/remaining
CC.....contrasting color	rep.....repeat/repeating
CO.....cast on	rev.....reverse
dec.....decrease/decreasing	RH.....right hand
dbl dec.....double decrease – slip 2 sts together as if to K them together, K1, pass 2 slipped sts over.	RS.....right side
inc.....increase/increasing	sl.....slip
K.....knit	SSK.....slip, slip, knit — sl 1 st as if to K; sl another st as if to K; sl both sts back to LH needle and K them together TBL.
K2tog.....knit 2 together (K3tog = knit 3 together, etc.)	st st.....stockinette stitch
Kwise.....knitwise	st(s).....stitch(es)
LH.....left hand	TBL.....through back loop
m1 .....make 1 — Use the tip of your left needle to lift up the strand running between the st just worked and the next st. K into the back of this strand, twisting the loop to avoid making a hole.	W&T.....wrap & turn — Used to prevent holes at the turning point in short rows. With yarn toward WS, sl next st to RH needle, bring yarn to RS, sl st back to LH needle and turn the piece, ready to work back in the other direction.
MC.....main color	WS.....wrong side
P.....purl	WYIF.....with yarn in front
P2tog.....purl 2 together (P3tog = purl 3 together, etc.)	WYIB.....with yarn in back
PM.....place marker	yo.....yarn over
PSSO.....pass the slipped stitch over the st just knitted	