



LW3852EN



EASY

knitting

Designed by Heather Lodinsky.

What you will need:

Red Heart® Crazy Wool: 2 (3, 3, 4) balls 00008 Fuschia A; 1 (1, 2, 2) balls 00010 Heather Grey Melange B

Knitting Needles: 5.0 mm [US 8]

Five 22mm [7/8"] buttons, stitch holders, yarn needle, sewing needle and matching thread

TENSION/GAUGE: 18 sts = 10 cm [4"]; 24 rows = 10 cm [4"] in Stockinette stitch. CHECK YOUR TENSION/GAUGE. Use any size needle to obtain the tension/gauge.



RED HEART® Crazy Wool, Art. 9809123 available in 100 g (3.5 oz), 200 m (218 yd) balls



Sweet & Simple Cardigan

This cute cardigan is perfect to make for a little girl who is special in your life. Knit in a bright shade with grey accents, it's a modern look that girls will love!

Directions are for size 2 years; changes for sizes 4, 6 and 8 years are in parentheses.

Finished Chest: 66 (71, 76, 81.5) cm [26 (28, 30, 32)"]

Finished length: 33 (35.5, 38, 43) cm [13 (14, 15, 17)"]

Special Abbreviations

M1L = Make 1 Left (Increase) – Insert left needle from front to back under strand between needles, knit strand through the back loop, twisting it to prevent a hole.

M1R = Make 1 Right (Increase) – Insert left needle from back to front under strand between needles, knit strand through the front loop, twisting it to prevent a hole.

Note

Sweater is worked in one piece from bottom to underarms. Piece is then divided and fronts and back worked separately.

LOWER BODY

With **B**, cast on 113 (121, 131, 139) sts.

Next row (Wrong Side): Knit.

*With **A**, knit 2 rows. With **B**, knit 2 rows.

Repeat from * until piece measures 11.5 (12.5, 14, 15) cm [4½ (5, 5½ 6)"], end with 2 rows **B**. Cut **B**.

Next row (Right Side): With **A**, work in St st (knit 1 row, purl 1 row) until piece measures 19 (20.5, 21.5, 25.5) cm [7½ (8, 8½, 10)"] from beginning, end with a Wrong Side row. Divide fronts and back

Next row (Right Side): K25 (26, 28, 29) sts for right front, cast off 4 (6, 8, 10) sts for right underarm, k55 (57, 59, 61) sts for back, cast off 4 (6, 8, 10) sts for left underarm, k25 (26, 28, 29) sts for left front. Place stitches for right front and back on stitch holders.

LEFT FRONT

Continue in St st until piece measures 6.5 (7.5, 9, 10) cm [2½ (3, 3½, 4)"] from armhole cast off, end with a Right Side row.

Shape Neck

Next row (Wrong Side): Cast off 8 (8, 9, 9) sts, purl to end. Next row (Right Side): Knit.

Continue in St st, casting off on Wrong Side rows 4 sts once, 3 sts once, 2 sts once, [1 st] twice—6 (7, 8, 9) sts.

Work even until armhole measures 14 (15, 16.5, 18) cm [5½ (6, 6½, 7)"]. Cast off.

BACK

Slip Back stitches to needle. With wrong side facing and **A**, continue in St st until piece measures 9 (10, 11.5, 12.5) cm [3½ (4, 4½, 5)"] from armhole, end with a Wrong Side row.

Shape Back Neck

K17 (18, 19, 20) sts, slip center 21 sts to stitch holder, join second ball of yarn for left shoulder and knit to end.

Work both sides at the same time with separate skeins of yarn. Continuing in St st, cast off at neck edge 4 sts once, 3 sts once, 2 sts once, [1 st] twice—6 (7, 8, 9) sts each side. Work even until armholes measure 14 (15, 16.5, 18) cm [5½ (6, 6½, 7)"]. Cast off both shoulders.

RIGHT FRONT

Slip Right Front stitches to needle. With wrong side facing and **A**, continue in St st until piece measures 6.5 (7.5, 9, 10) cm [2½ (3, 3½, 4)"] from armhole, end with a Wrong Side row.

Continued...



Please Note: Print this pattern using Landscape Orientation.

Find more ideas & inspiration: www.redheart.co.uk

©2013 Coats & Clark

RedHeart.co.uk

Page 1 of 3

Shape Neck

Next row (Right Side): Cast off 8 (8, 9, 9) sts, knit to end. Next row (Wrong Side): Purl. Continue in St st, casting off on Right Side rows 4 sts once, 3 sts once, 2 sts once, [1 st] twice—6 (7, 8, 9) sts. Work even until armhole measures 14 (15, 16.5, 18) cm [$5\frac{1}{2}$ (6, $6\frac{1}{2}$, 7)"]. Cast off.

SLEEVES (Make 2)

With **B**, cast on 28 (30, 32, 34) sts.

Next row (Wrong Side): Knit.

*With **A**, knit 2 rows. With **B**, knit 2 rows.

Repeat from * 4 more times. Cut **B**.

With **A** work 2 rows St st.

Increase row (Right Side): K1, M1L, knit to last st, M1R, k1.

Continue in St st, repeating Increase Row every 4th row 8 (7, 6, 6) more times, every 6th row 2 (4, 6, 8) times—50 (54, 58, 64) sts. Work even until sleeve measures 30.5 (34.5, 37, 39.5) cm [12 ($13\frac{1}{2}$, $14\frac{1}{2}$, $15\frac{1}{2}$)"] from beginning. Cast off.

FINISHING

Sew shoulder seams.

Neckband

With right side facing and **B**, pick up and knit 25 (25, 26, 26) sts from neck to shoulder seam, 14 (14, 15, 15) sts on back neck; knit across 21 sts from holder; pick up and knit 14 (14, 15, 15) sts on back neck, and 25 (25, 26, 26) sts from shoulder seam to neck edge—99 (99, 103, 103) sts.

Next row (Wrong Side): Knit.

With **A**, knit 2 rows.

Decrease row (Right Side): With **B**, [k7 (7, 8, 8), k2tog] 10 times, k9 (9, 3, 3)—89 (89, 93, 93) sts. Knit 1 row.

With **A**, knit 2 rows.

Decrease row (Right Side): Decrease row (Right Side): With **B**, [k6 (6, 7, 7), k2tog] 10 times, k9 (9, 3, 3)—79 (79, 83, 83) sts. Knit 1 row. With **A**, knit 2 rows, cut **A**; with **B**, knit 1 row. Cast off.

Button Band

With **B**, right side facing, and starting at neckband, pick up and knit 56 (60, 66, 76) sts. Knit 1 row.

With **A**, knit 2 rows; with **B**, knit 2 rows.

With **A**, knit 2 rows, cut **A**; with **B**, knit 1 row.

Cast off.

Buttonhole Band

With **B**, right side facing, and starting at bottom, pick up and knit 56 (60, 66, 76) sts. Knit 1 row. With **A**, knit 2 rows.

Buttonhole row (Right Side): With **B**, k3 (3, 4, 5), [cast off 2 sts, k10 (11, 12, 14)] 4 times, cast off 2 sts, k3 (3, 4, 5) sts.

Next row: Knit, casting on 2 sts above cast off sts—56 (60, 66, 76) sts.

With **A**, knit 2 rows, cut **A**; with **B**, knit 1 row. Cast off.

Set In Sleeve

Sew sleeve seams from cuff to 1.5 (1.5, 2, 2.5) cm [$\frac{1}{2}$ ($\frac{1}{2}$, $\frac{3}{4}$, 1)"] from top. Matching open upper edge to underarm sts, set in sleeve.

Weave in ends.

With sewing needle and thread, sew buttons opposite buttonholes.

ABBREVIATIONS

k = knit; **p** = purl; **st(s)** = stitch(es); **St st** = Stockinette stitch; **k2tog** = knit next 2 stitches together; **[]** = work directions in brackets the number of times specified; ***** = repeat whatever follows the * as indicated.

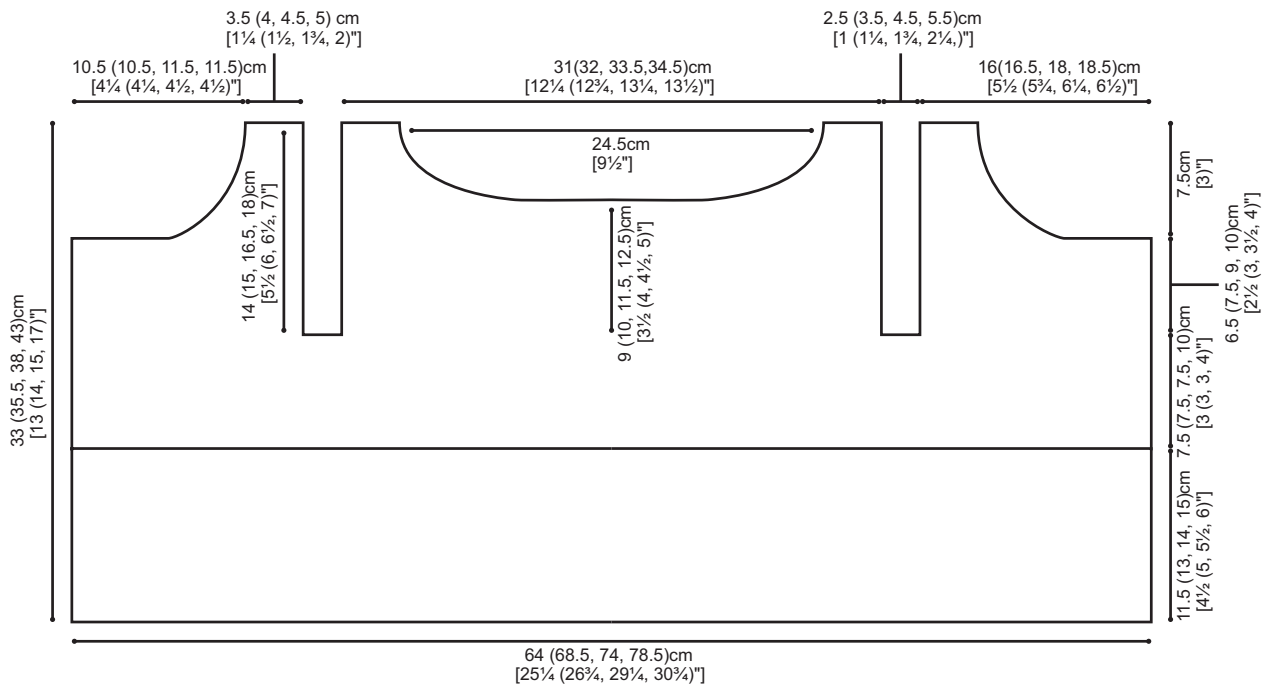
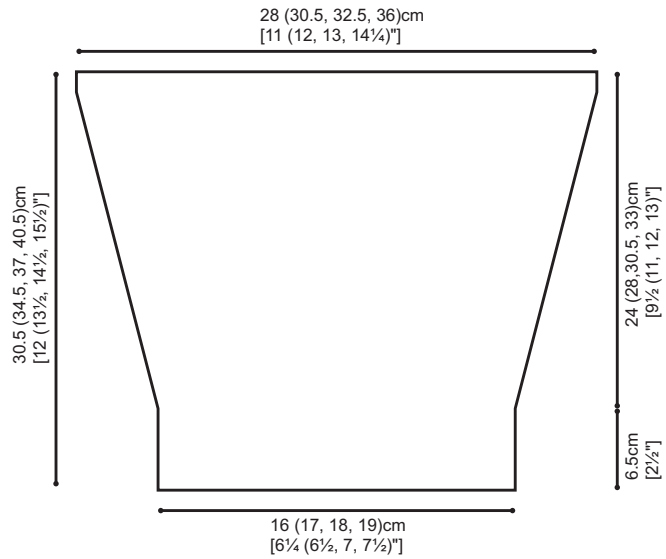
See schematic on next page



Please Note: Print this pattern using Landscape Orientation.

Find more ideas & inspiration: www.redheart.co.uk

©2013 Coats & Clark



Please Note: Print this pattern using Landscape Orientation.

Find more ideas & inspiration: www.redheart.co.uk