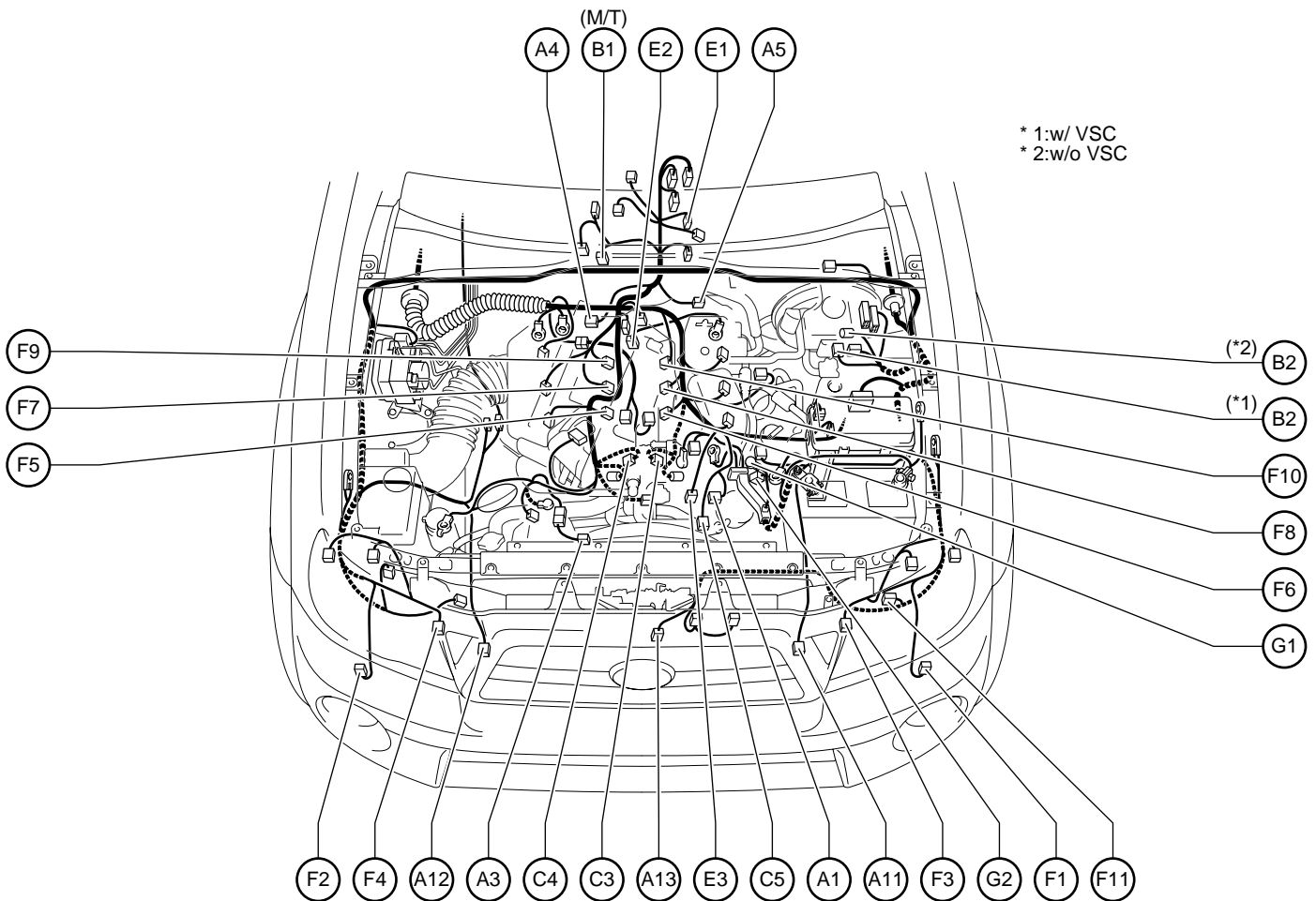


# G ELECTRICAL WIRING ROUTING

## Position of Parts in Engine Compartment

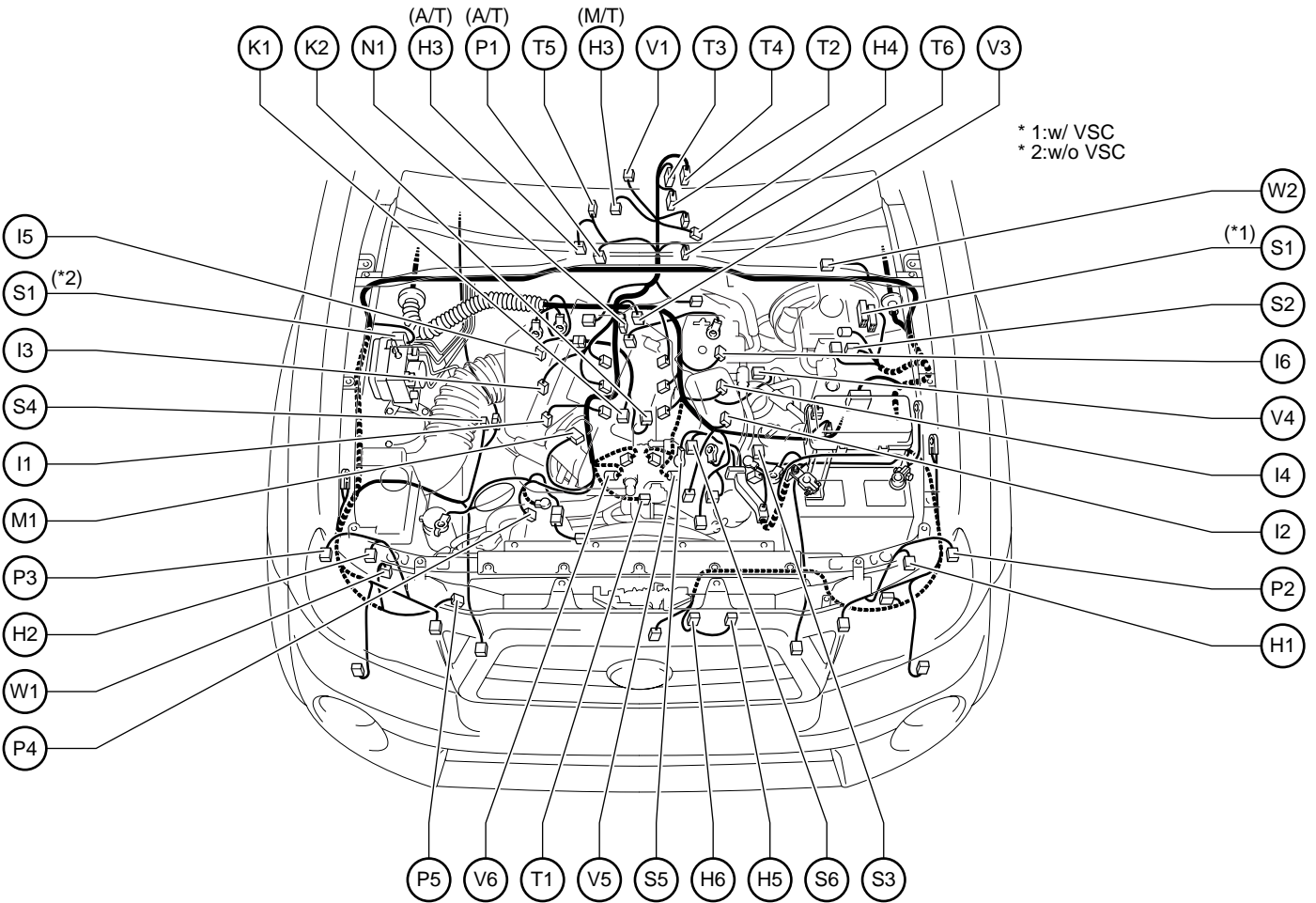
[1GR-FE]



- |   |                                 |
|---|---------------------------------|
| A 1 A/C Compressor                                  | F 1 Fog Lamp (Front LH)         |
| A 3 ADD Actuator Assembly                           | F 2 Fog Lamp (Front RH)         |
| A 4 Air Fuel Ratio Sensor (Bank 1 Sensor 1)         | F 3 Front Turn Signal Lamp (LH) |
| A 5 Air Fuel Ratio Sensor (Bank 2 Sensor 1)         | F 4 Front Turn Signal Lamp (RH) |
| A 11 Airbag Sensor (Front LH)                       | F 5 Fuel Injector (No.1)        |
| A 12 Airbag Sensor (Front RH)                       | F 6 Fuel Injector (No.2)        |
| A 13 Ambient Temp. Sensor                           | F 7 Fuel Injector (No.3)        |
| B 1 Back-Up Lamp SW                                 | F 8 Fuel Injector (No.4)        |
| B 2 Brake Fluid Level Warning SW                    | F 9 Fuel Injector (No.5)        |
| C 3 Camshaft Timing Oil Control Valve (LH)          | F 10 Fuel Injector (No.6)       |
| C 4 Camshaft Timing Oil Control Valve (RH)          | F 11 Fuel Pump Resistor         |
| C 5 Crankshaft Position Sensor                      | G 1 Generator                   |
| E 1 Electronically Controlled Transmission Solenoid | G 2 Generator                   |
| E 2 Engine Coolant Temp. Sensor                     |                                 |
| E 3 Engine Oil Pressure SW                          |                                 |

## Position of Parts in Engine Compartment

### [1GR-FE]



H 1 Headlamp (LH)  
 H 2 Headlamp (RH)  
 H 3 Heated Oxygen Sensor (Bank 1 Sensor 2)  
 H 4 Heated Oxygen Sensor (Bank 2 Sensor 2)  
 H 5 Horn (High)  
 H 6 Horn (Low)

I 1 Ignition Coil (No.1)  
 I 2 Ignition Coil (No.2)  
 I 3 Ignition Coil (No.3)  
 I 4 Ignition Coil (No.4)  
 I 5 Ignition Coil (No.5)  
 I 6 Ignition Coil (No.6)

K 1 Knock Control Sensor (Bank 1)  
 K 2 Knock Control Sensor (Bank 2)

M 1 Mass Air Flow Meter

N 1 Noise Filter (Ignition)

P 1 Park/Neutral Position SW  
 P 2 Parking Lamp (LH)  
 P 3 Parking Lamp (RH)  
 P 4 Power Steering Oil Pressure SW  
 P 5 Pressure SW

S 1 Skid Control ECU with Actuator  
 S 2 Skid Control ECU with Actuator  
 S 3 Speed Sensor (Front LH)  
 S 4 Speed Sensor (Front RH)  
 S 5 Starter  
 S 6 Starter

T 1 Throttle Body Assembly  
 T 2 Transfer Indicator SW (4WD Position)  
 T 3 Transfer Indicator SW (L4 Position)  
 T 4 Transfer Shift Actuator Assembly  
 T 5 Transmission Revolution Sensor  
 (Electronically Controlled Transmission)  
 T 6 Transmission Revolution Sensor (Turbine)

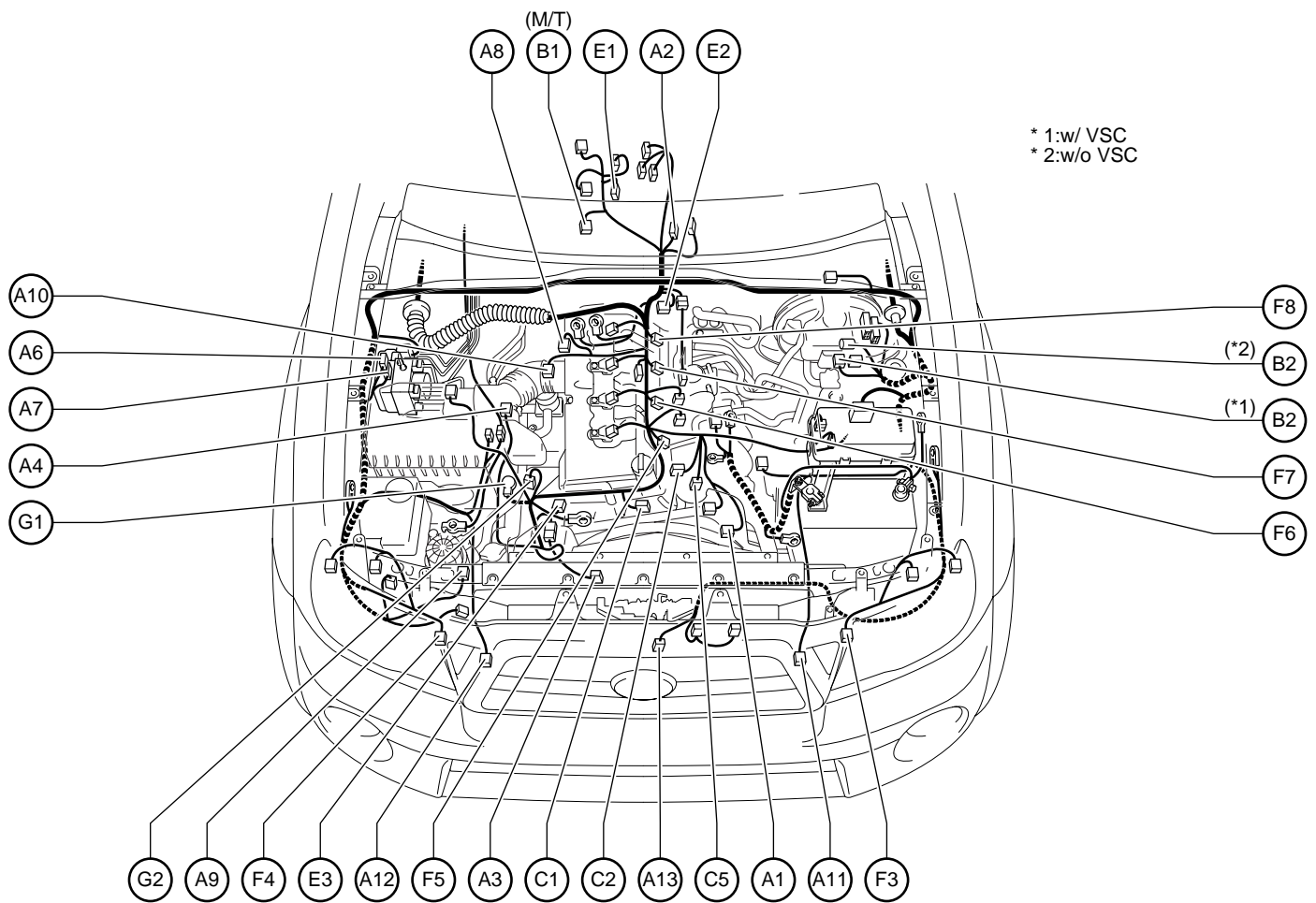
V 1 Vehicle Speed Sensor (Combination Meter)  
 V 3 VSV (ACIS)  
 V 4 VSV (Purge)  
 V 5 VVT Sensor LH  
 V 6 VVT Sensor RH

W 1 Windshield Washer Motor  
 W 2 Windshield Wiper Motor

# G ELECTRICAL WIRING ROUTING

## Position of Parts in Engine Compartment

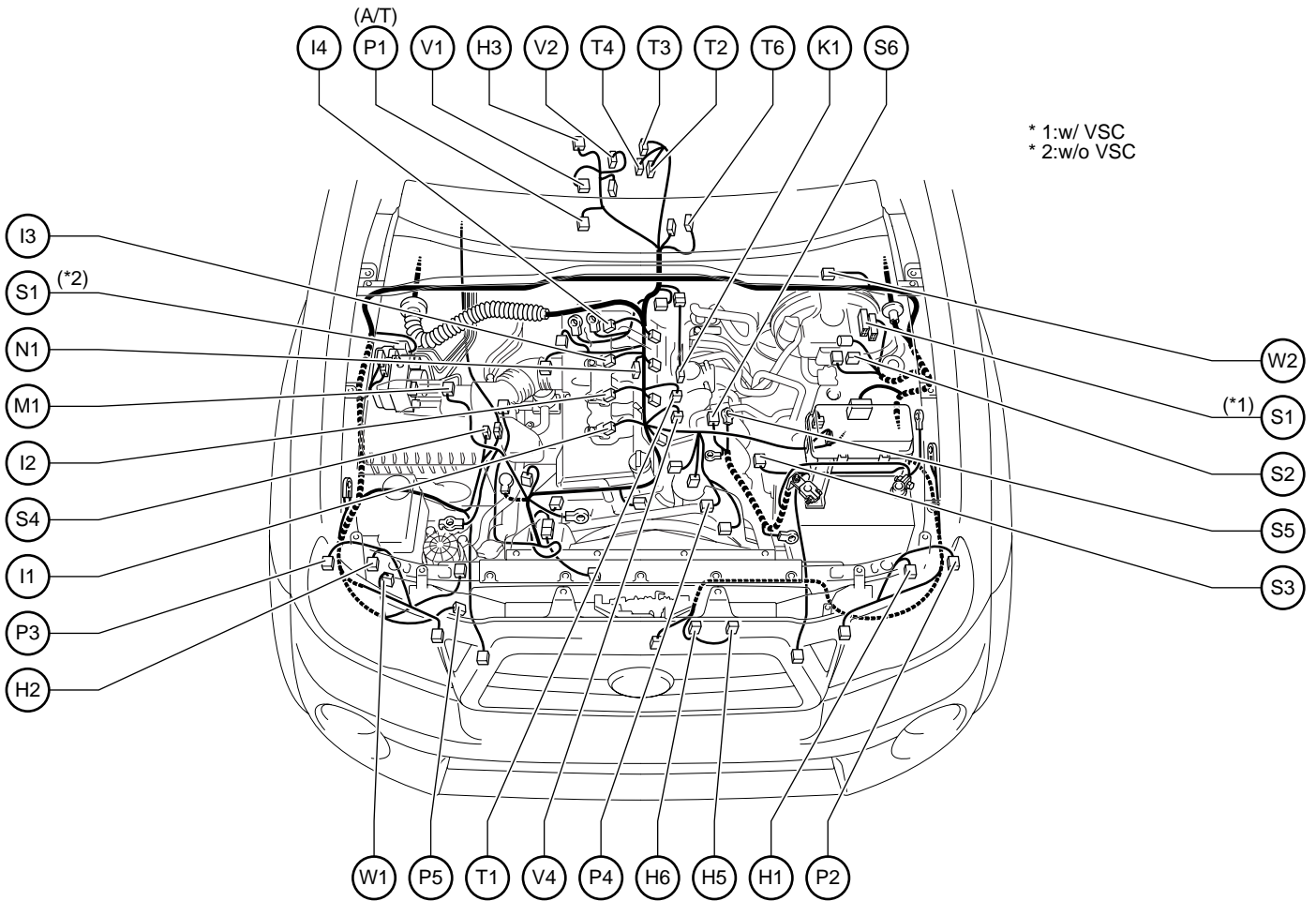
[2TR-FE]



- |   |   |
|---|---|
| A 1 A/C Compressor                          | E 1 Electronically Controlled Transmission Solenoid |
| A 2 A/T Fluid Temp. Sensor                  | E 2 Engine Coolant Temp. Sensor                     |
| A 3 ADD Actuator Assembly                   | E 3 Engine Oil Pressure SW                          |
| A 4 Air Fuel Ratio Sensor (Bank 1 Sensor 1) | F 3 Front Turn Signal Lamp (LH)                     |
| A 6 Air Injection Control Driver            | F 4 Front Turn Signal Lamp (RH)                     |
| A 7 Air Injection Control Driver            | F 5 Fuel Injector (No.1)                            |
| A 8 Air Pressure Sensor                     | F 6 Fuel Injector (No.2)                            |
| A 9 Air Pump                                | F 7 Fuel Injector (No.3)                            |
| A 10 Air Switching Valve                    | F 8 Fuel Injector (No.4)                            |
| A 11 Airbag Sensor (Front LH)               | G 1 Generator                                       |
| A 12 Airbag Sensor (Front RH)               | G 2 Generator                                       |
| A 13 Ambient Temp. Sensor                   |   |
| B 1 Back-Up Lamp SW                         |   |
| B 2 Brake Fluid Level Warning SW            |   |
| C 1 Camshaft Position Sensor                |   |
| C 2 Camshaft Timing Oil Control Valve       |   |
| C 5 Crankshaft Position Sensor              |   |

## Position of Parts in Engine Compartment

**[2TR-FE]**



H 1 Headlamp (LH)  
 H 2 Headlamp (RH)  
 H 3 Heated Oxygen Sensor (Bank 1 Sensor 2)  
 H 5 Horn (High)  
 H 6 Horn (Low)

I 1 Ignition Coil (No.1)  
 I 2 Ignition Coil (No.2)  
 I 3 Ignition Coil (No.3)  
 I 4 Ignition Coil (No.4)

K 1 Knock Control Sensor (Bank 1)

M 1 Mass Air Flow Meter

N 1 Noise Filter (Ignition)

P 1 Park/Neutral Position SW

P 2 Parking Lamp (LH)

P 3 Parking Lamp (RH)

P 4 Power Steering Oil Pressure SW

P 5 Pressure SW

S 1 Skid Control ECU with Actuator  
 S 2 Skid Control ECU with Actuator  
 S 3 Speed Sensor (Front LH)  
 S 4 Speed Sensor (Front RH)  
 S 5 Starter  
 S 6 Starter

T 1 Throttle Body Assembly

T 2 Transfer Indicator SW (4WD Position)

T 3 Transfer Indicator SW (L4 Position)

T 4 Transfer Shift Actuator Assembly

T 6 Transmission Revolution Sensor (Turbine)

V 1 Vehicle Speed Sensor (Combination Meter)

V 2 Vehicle Speed Sensor  
 (Electronically Controlled Transmission)

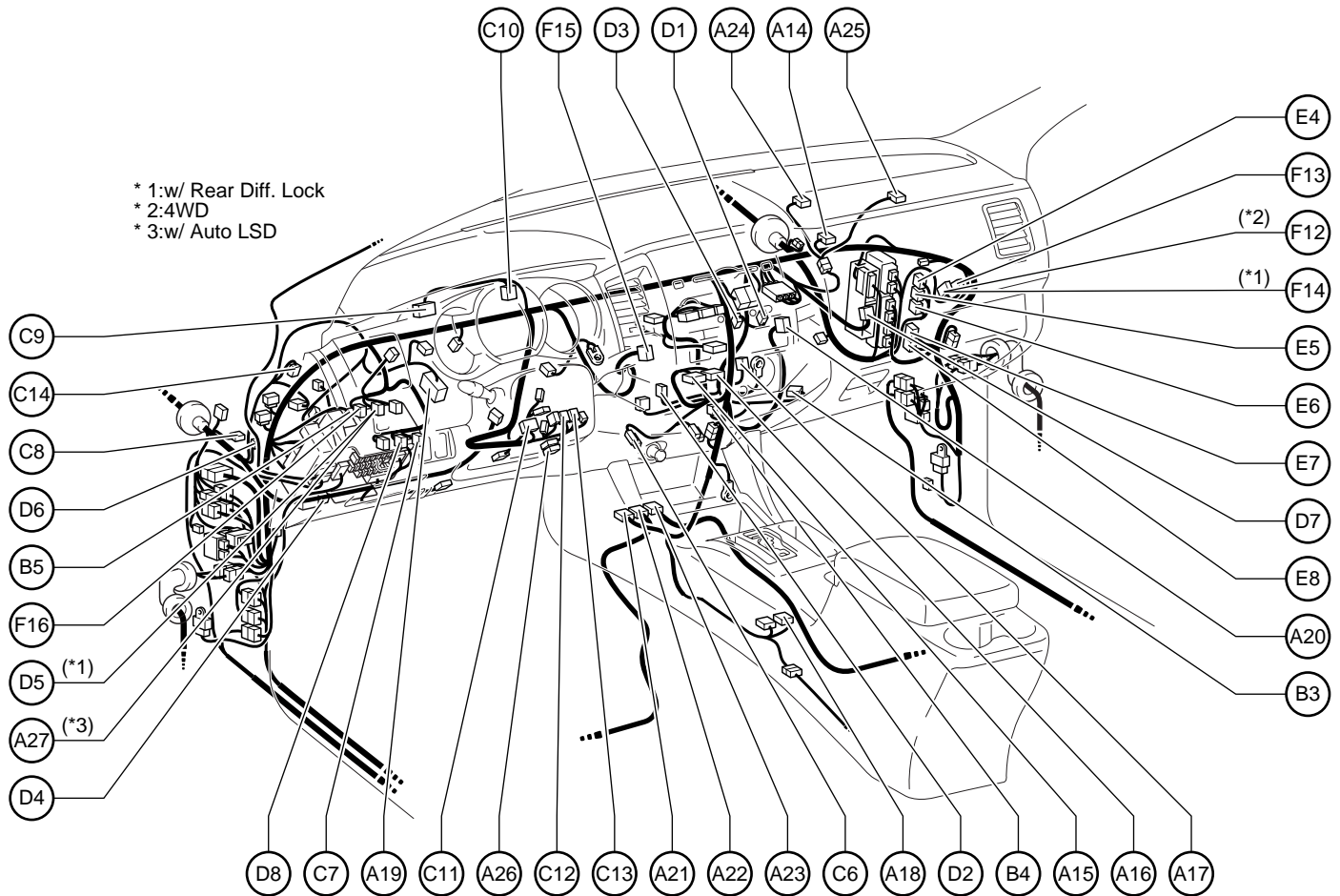
V 4 VSV (Purge)

W 1 Windshield Washer Motor

W 2 Windshield Wiper Motor

# G ELECTRICAL WIRING ROUTING

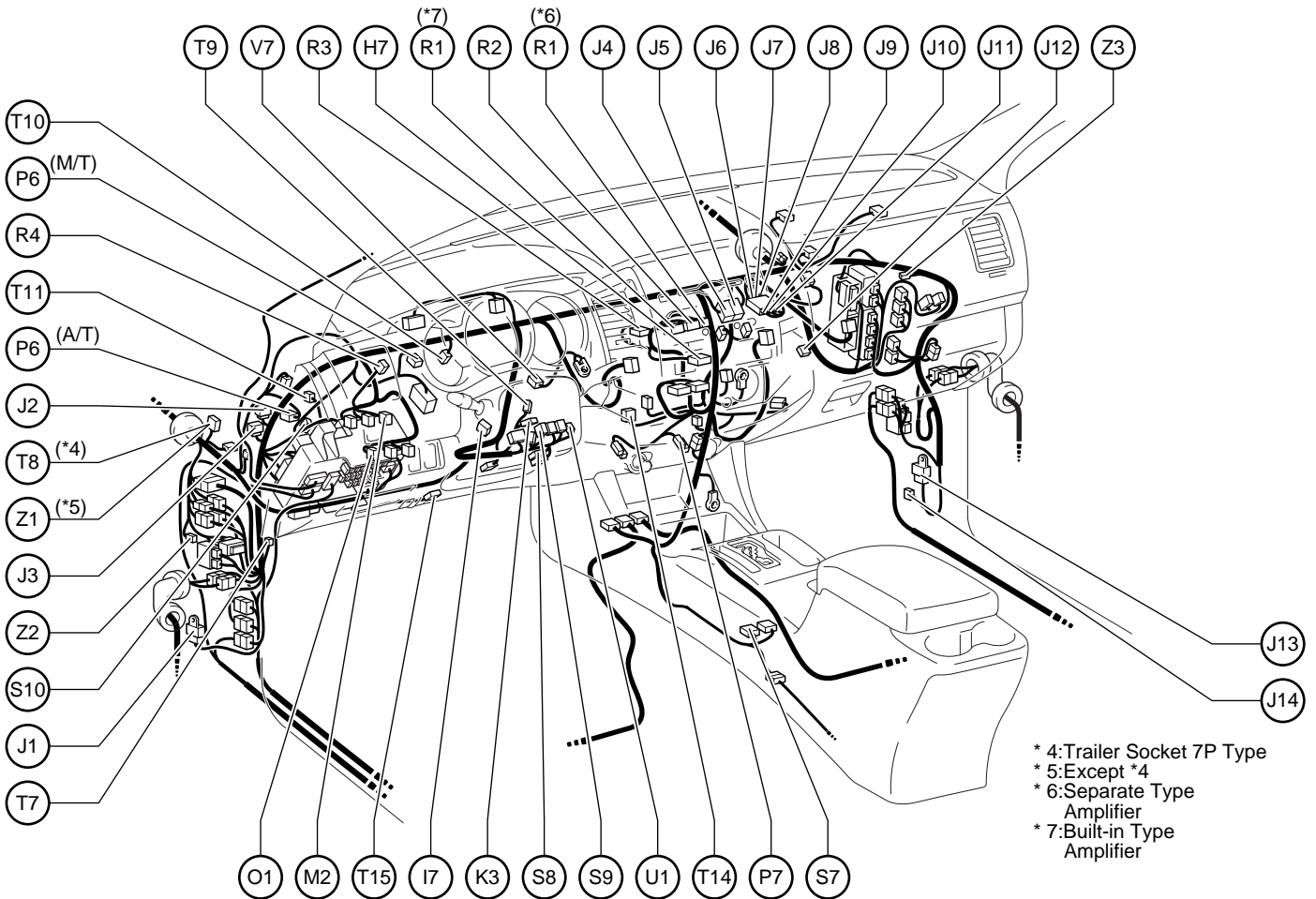
## Position of Parts in Instrument Panel



\* 1:w/ Rear Diff. Lock  
 \* 2:4WD  
 \* 3:w/ Auto LSD

- |   |  |
|---|--|
| A 14 A/C Amplifier                                    | D 1 Damper Servo Motor (Air Inlet)     |
| A 15 A/C Control Assembly                             | D 2 Damper Servo Motor (Air Mix)       |
| A 16 A/C Control Assembly                             | D 3 Damper Servo Motor (Air Vent Mode) |
| A 17 A/C Thermistor No.1                              | D 4 Data Link Connector 3              |
| A 18 A/T Shift Lever Illumination                     | D 5 Diff. Lock SW                      |
| A 19 Accelerator Position Sensor                      | D 6 Diode (Clutch Start)               |
| A 20 Airbag Cut Off SW                                | D 7 Door Control Receiver              |
| A 21 Airbag Sensor Assembly Center                    | D 8 Downhill Assist Control SW         |
| A 22 Airbag Sensor Assembly Center                    | E 4 Engine Control Module              |
| A 23 Airbag Sensor Assembly Center                    | E 5 Engine Control Module              |
| A 24 Airbag Squib (Front Passenger's Airbag Assembly) | E 6 Engine Control Module              |
| A 25 Airbag Squib (Front Passenger's Airbag Assembly) | E 7 Engine Control Module              |
| A 26 Airbag Squib (Steering Wheel Pad)                | E 8 Engine Control Module              |
| A 27 Auto LSD SW                                      |  |
| B 3 Blower Motor                                      | F 12 4WD Control ECU                   |
| B 4 Blower Resistor                                   | F 13 4WD Control ECU                   |
| B 5 Body ECU  | F 14 4WD Control ECU                   |
| C 6 Cigarette Lighter                                 | F 15 4WD Control SW                    |
| C 7 Clutch Start Cancel SW                            | F 16 Fog Lamp SW                       |
| C 8 Clutch Start SW                                   |  |
| C 9 Combination Meter                                 |  |
| C 10 Combination Meter                                |  |
| C 11 Combination SW                                   |  |
| C 12 Combination SW                                   |  |
| C 13 Combination SW                                   |  |
| C 14 Cruise Control Clutch SW                         |  |

## Position of Parts in Instrument Panel



H 7 Hazard Warning Signal SW Assembly

I 7 Ignition SW

J 1 Junction Connector  
 J 2 Junction Connector  
 J 3 Junction Connector  
 J 4 Junction Connector  
 J 5 Junction Connector  
 J 6 Junction Connector  
 J 7 Junction Connector  
 J 8 Junction Connector  
 J 9 Junction Connector  
 J 10 Junction Connector  
 J 11 Junction Connector  
 J 12 Junction Connector  
 J 13 Junction Connector  
 J 14 Junction Connector

K 3 Key Interlock Solenoid

M 2 Main SW (Power Outlet AC115V)

O 1 Outer Mirror SW

P 6 Parking Brake SW  
 P 7 Power Point Socket

R 1 Radio Receiver Assembly  
 R 2 Radio Receiver Assembly  
 R 3 Radio Receiver Assembly  
 R 4 Rheostat

S 7 Shift Lock Control ECU  
 S 8 Spiral Cable  
 S 9 Steering Sensor  
 S 10 Stop Lamp SW

T 7 Towing Brake Controller  
 T 8 Towing Converter Relay  
 T 9 Transponder Key Amplifier  
 T 10 Transponder Key ECU  
 T 11 Turn Signal Flasher  
 T 14 Tire Pressure Monitor ECU  
 T 15 Tire Pressure Warning SW (Reset)

U 1 Unlock Warning SW

V 7 VSC Warning Buzzer

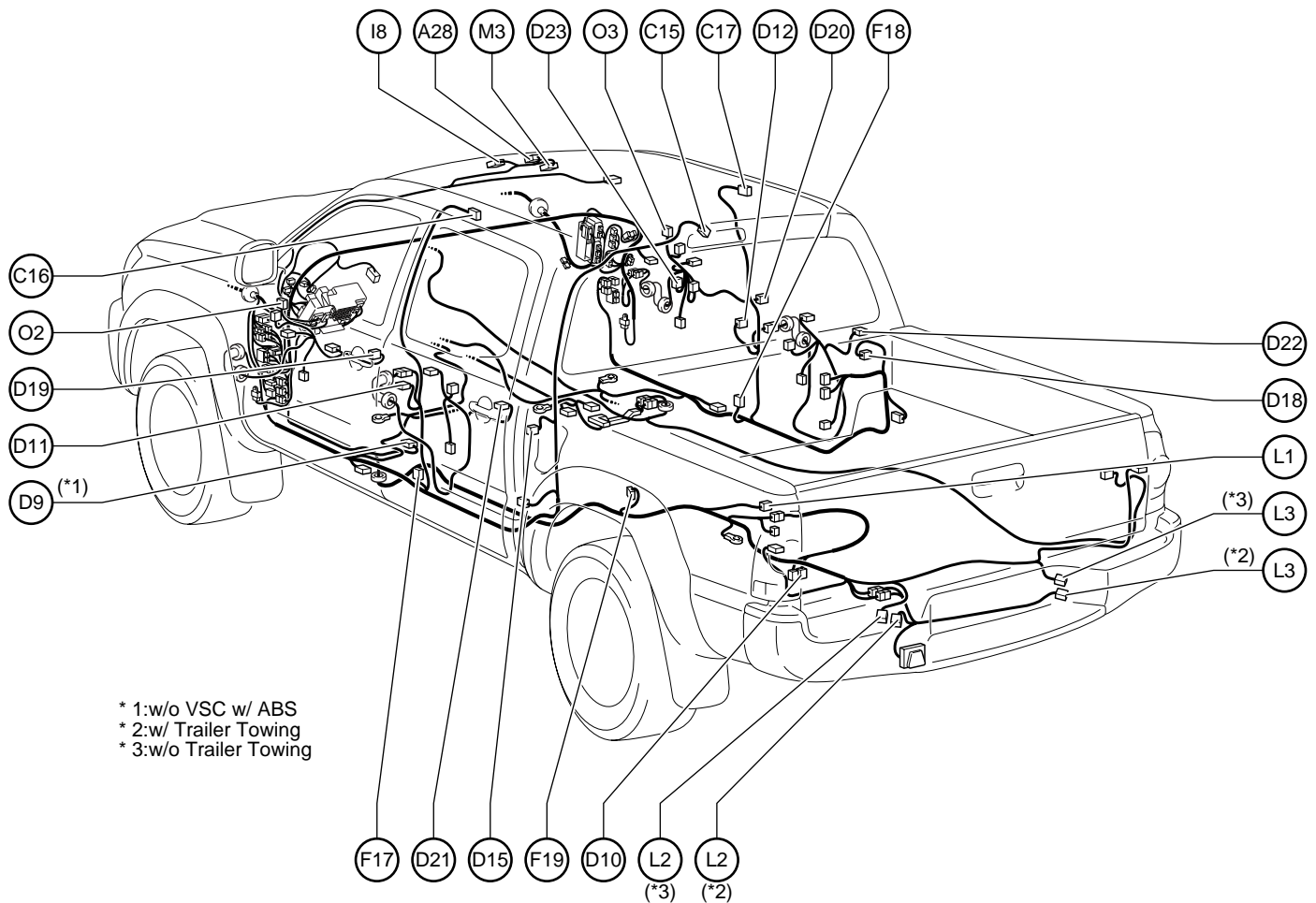
Z 1 Option Connector (Towing Converter Relay)  
 Z 2 Option Connector (Trailer Socket)  
 Z 3 Option Connector (TVIP)

\* 4: Trailer Socket 7P Type  
 \* 5: Except \*4  
 \* 6: Separate Type Amplifier  
 \* 7: Built-in Type Amplifier

# G ELECTRICAL WIRING ROUTING

## Position of Parts in Body

[Double Cab]



\* 1:w/o VSC w/ ABS  
 \* 2:w/ Trailer Towing  
 \* 3:w/o Trailer Towing

A28 Accessory Meter

C15 Center Stop Lamp

C16 Curtain Shield Airbag Squib (LH)

C17 Curtain Shield Airbag Squib (RH)

D 9 Deceleration Sensor

D10 Diff. Lock Shift Actuator Assembly

D11 Door Courtesy SW (Driver's Side)

D12 Door Courtesy SW (Front Passenger's Side)

D15 Door Courtesy SW (Rear LH)

D18 Door Courtesy SW (Rear RH)

D19 Door Lock Assembly (Driver's Side)

D20 Door Lock Assembly (Front Passenger's Side)

D21 Door Lock Assembly (Rear LH)

D22 Door Lock Assembly (Rear RH)

D23 Door Lock Control SW

F 17 Front Seat Outer Belt (LH)

F 18 Front Seat Outer Belt (RH)

F 19 Fuel Suction Pump and Gage Assembly

I 8 Inner Rear View Mirror

L 1 Canister Pump Module

L 2 License Plate Lamp (LH)

L 3 License Plate Lamp (RH)

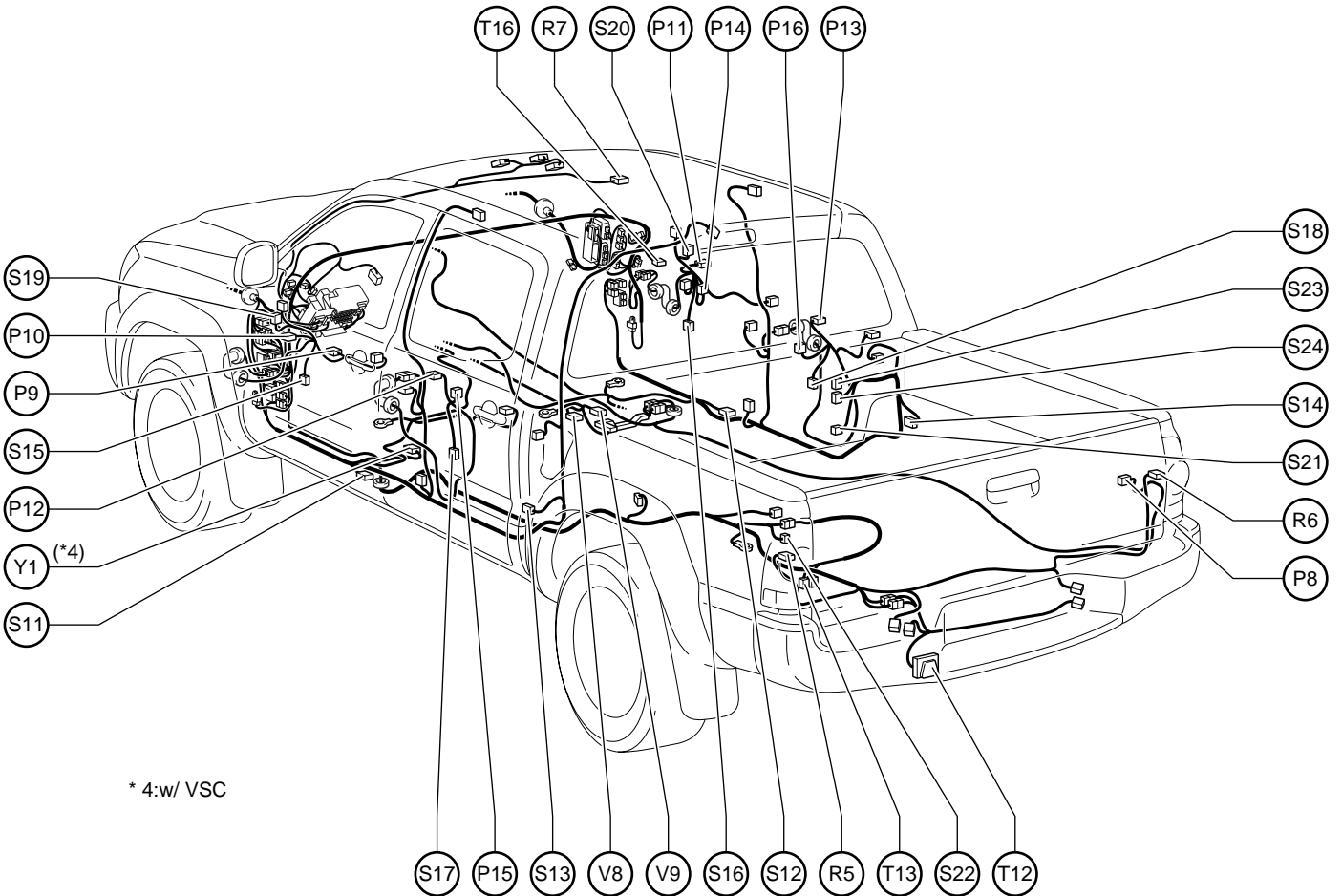
M 3 Map Lamp

O 2 Outer Rear View Mirror (LH)

O 3 Outer Rear View Mirror (RH)

## Position of Parts in Body

### [Double Cab]



\* 4:w/ VSC

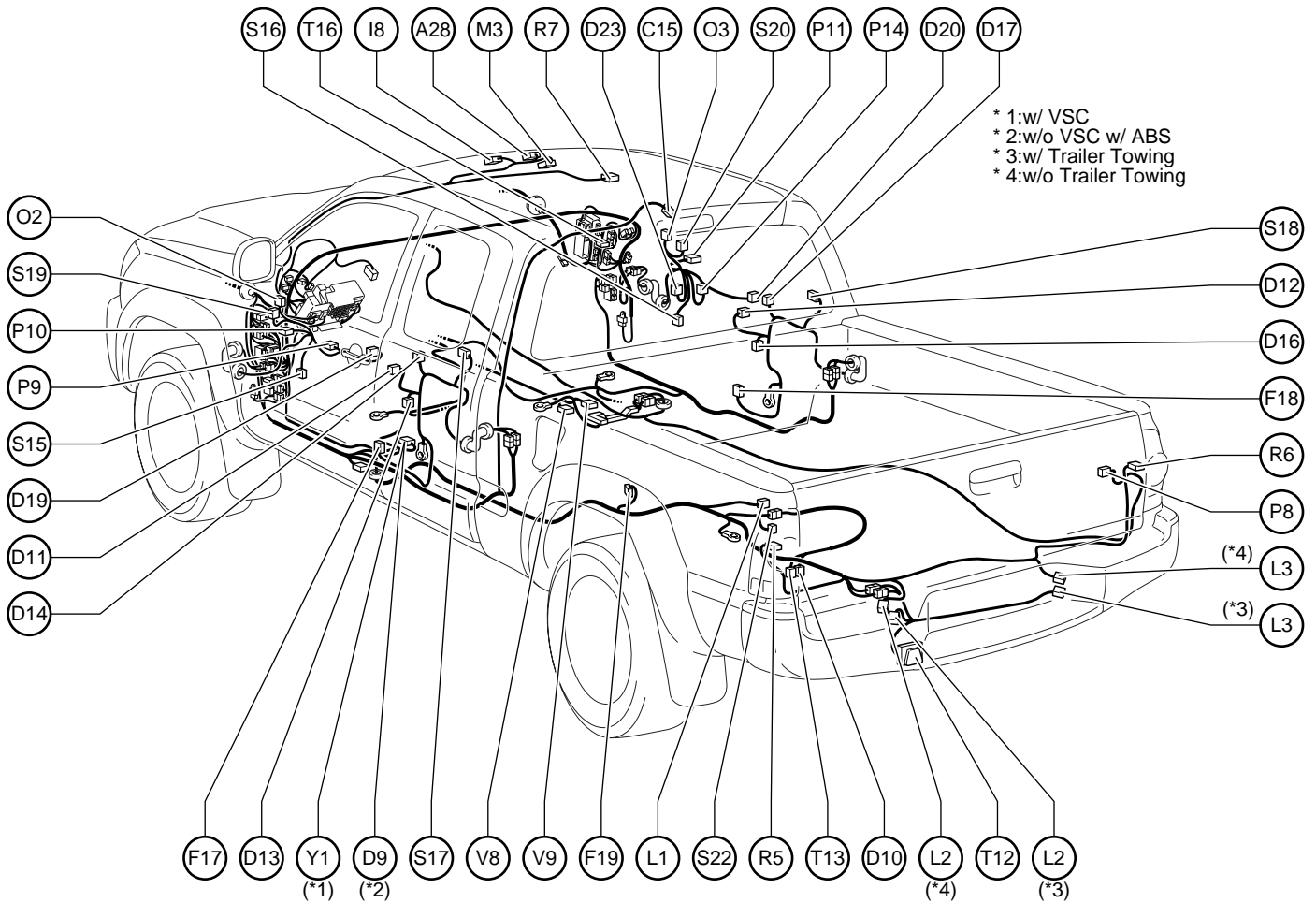
- |   |   |
|---|---|
| P 8 Power Point Socket                        | S 11 Side Airbag Sensor (Front LH)      |
| P 9 Power Window Master SW                    | S 12 Side Airbag Sensor (Front RH)      |
| P 10 Power Window Regulator Motor (Front LH)  | S 13 Side Airbag Sensor (Rear LH)       |
| P 11 Power Window Regulator Motor (Front RH)  | S 14 Side Airbag Sensor (Rear RH)       |
| P 12 Power Window Regulator Motor (Rear LH)   | S 15 Speaker (Front Door LH)            |
| P 13 Power Window Regulator Motor (Rear RH)   | S 16 Speaker (Front Door RH)            |
| P 14 Power Window SW (Front Passenger's Side) | S 17 Speaker (Rear Door LH)             |
| P 15 Power Window SW (Rear LH)                | S 18 Speaker (Rear Door RH)             |
| P 16 Power Window SW (Rear RH)                | S 19 Speaker (Tweeter LH)               |
|   | S 20 Speaker (Tweeter RH)               |
|   | S 21 Speaker (Woofer)                   |
| R 5 Rear Combination Lamp (LH)                | S 22 Speed Sensor (Rear)                |
| R 6 Rear Combination Lamp (RH)                | S 23 Stereo Component Amplifier         |
| R 7 Room Lamp (Center)                        | S 24 Stereo Component Amplifier         |
|   | T 12 Trailer Socket                     |
|   | T 13 Transfer Indicator SW (Rear Diff.) |
|   | T 16 Tire Pressure Monitor Receiver     |
|   | V 8 Voltage Inverter                    |
|   | V 9 Voltage Inverter                    |
|   | Y 1 Yaw Rate Sensor                     |



# G ELECTRICAL WIRING ROUTING

## Position of Parts in Body

### [Access Cab]



A28 Accessory Meter

C15 Center Stop Lamp

D 9 Deceleration Sensor

D10 Diff. Lock Shift Actuator Assembly

D11 Door Courtesy SW (Driver's Side)

D12 Door Courtesy SW (Front Passenger's Side)

D13 Door Courtesy SW (Rear LH Lower Side)

D14 Door Courtesy SW (Rear LH Upper Side)

D16 Door Courtesy SW (Rear RH Lower Side)

D17 Door Courtesy SW (Rear RH Upper Side)

D19 Door Lock Assembly (Driver's Side)

D20 Door Lock Assembly (Front Passenger's Side)

D23 Door Lock Control SW

F 17 Front Seat Outer Belt (LH)

F 18 Front Seat Outer Belt (RH)

F 19 Fuel Suction Pump and Gage Assembly

I 8 Inner Rear View Mirror

L 1 Canister Pump Module

L 2 License Plate Lamp (LH)

L 3 License Plate Lamp (RH)

M 3 Map Lamp

O 2 Outer Rear View Mirror (LH)

O 3 Outer Rear View Mirror (RH)

P 8 Power Point Socket

P 9 Power Window Master SW

P10 Power Window Regulator Motor (Front LH)

P11 Power Window Regulator Motor (Front RH)

P14 Power Window SW (Front Passenger's Side)

R 5 Rear Combination Lamp (LH)

R 6 Rear Combination Lamp (RH)

R 7 Room Lamp (Center)

S15 Speaker (Front Door LH)

S16 Speaker (Front Door RH)

S17 Speaker (Rear Door LH)

S18 Speaker (Rear Door RH)

S19 Speaker (Tweeter LH)

S20 Speaker (Tweeter RH)

S22 Speed Sensor (Rear)

T12 Trailer Socket

T13 Transfer Indicator SW (Rear Diff.)

T16 Tire Pressure Monitor Receiver

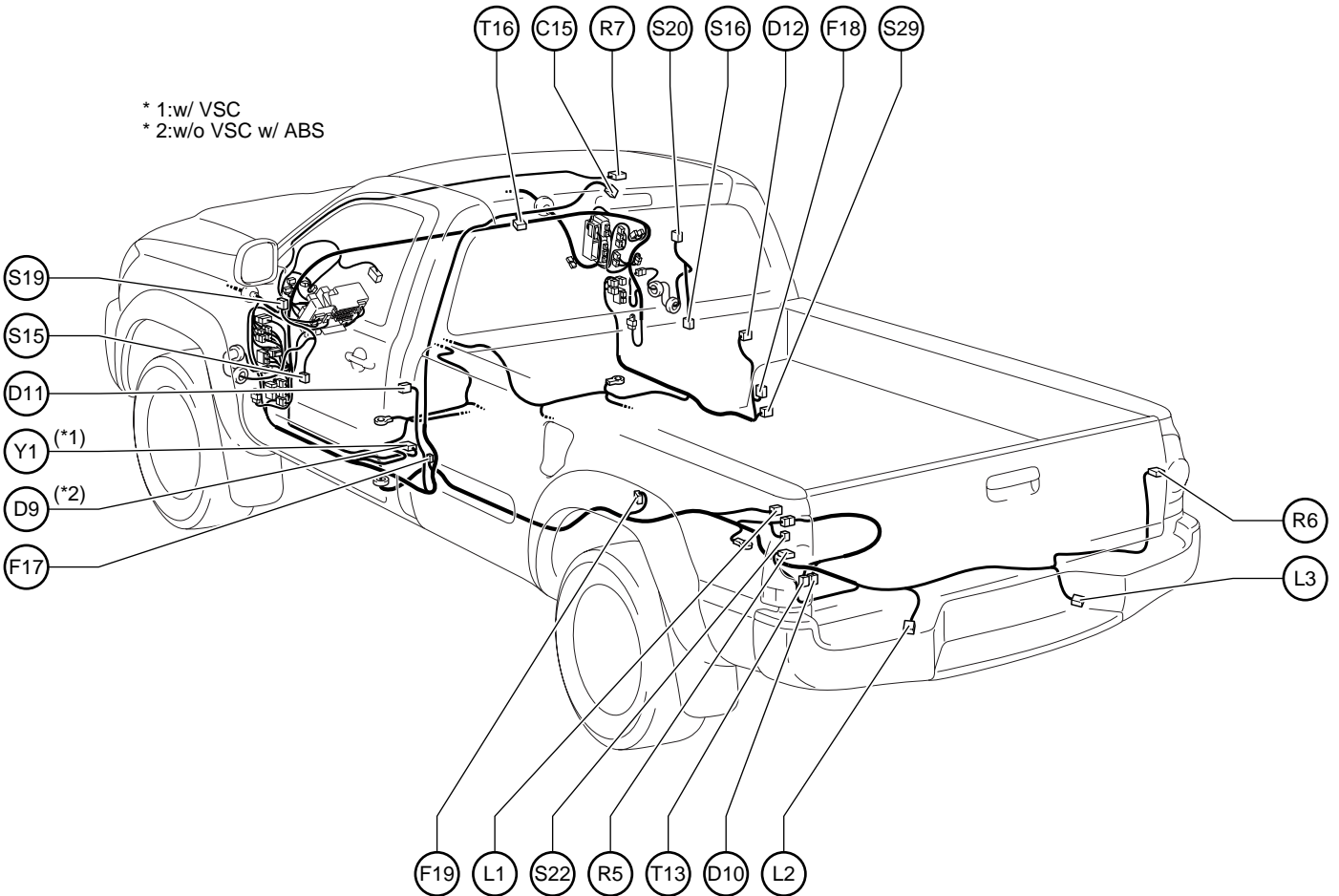
V 8 Voltage Inverter

V 9 Voltage Inverter

Y 1 Yaw Rate Sensor

## Position of Parts in Body

### [Regular Cab]



\* 1:w/ VSC  
\* 2:w/o VSC w/ ABS

C15 Center Stop Lamp

D 9 Deceleration Sensor

D10 Diff. Lock Shift Actuator Assembly

D11 Door Courtesy SW (Driver's Side)

D12 Door Courtesy SW (Front Passenger's Side)

F 17 Front Seat Outer Belt (LH)

F 18 Front Seat Outer Belt (RH)

F 19 Fuel Suction Pump and Gage Assembly

L 1 Canister Pump Module

L 2 License Plate Lamp (LH)

L 3 License Plate Lamp (RH)

R 5 Rear Combination Lamp (LH)

R 6 Rear Combination Lamp (RH)

R 7 Room Lamp (Center)

S15 Speaker (Front Door LH)

S16 Speaker (Front Door RH)

S19 Speaker (Tweeter LH)

S20 Speaker (Tweeter RH)

S22 Speed Sensor (Rear)

S29 Seat Belt Tension Sensor

T 13 Transfer Indicator SW (Rear Diff.)

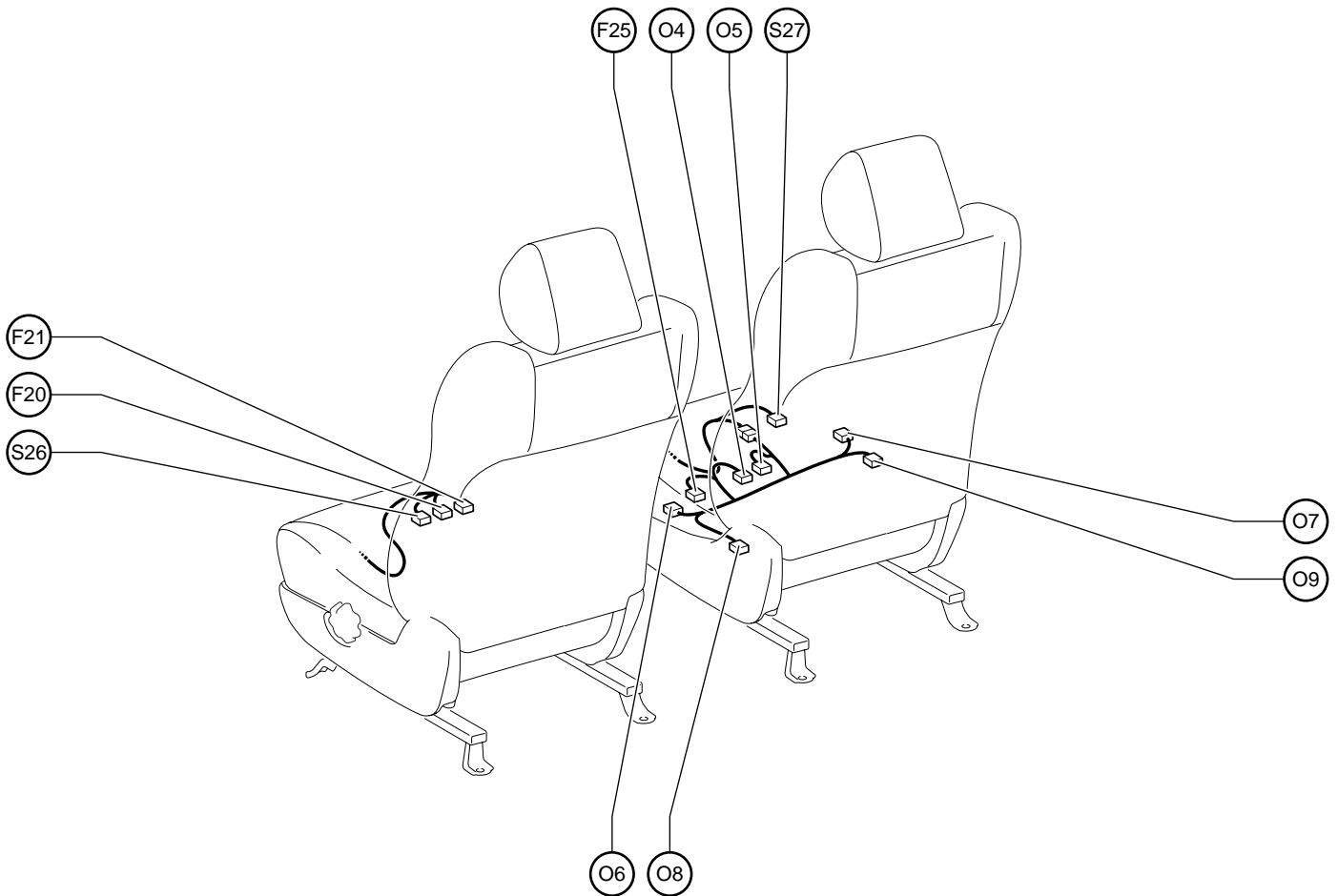
T 16 Tire Pressure Monitor Receiver

Y 1 Yaw Rate Sensor

## G ELECTRICAL WIRING ROUTING

### Position of Parts in Seat

[Separate Seat]



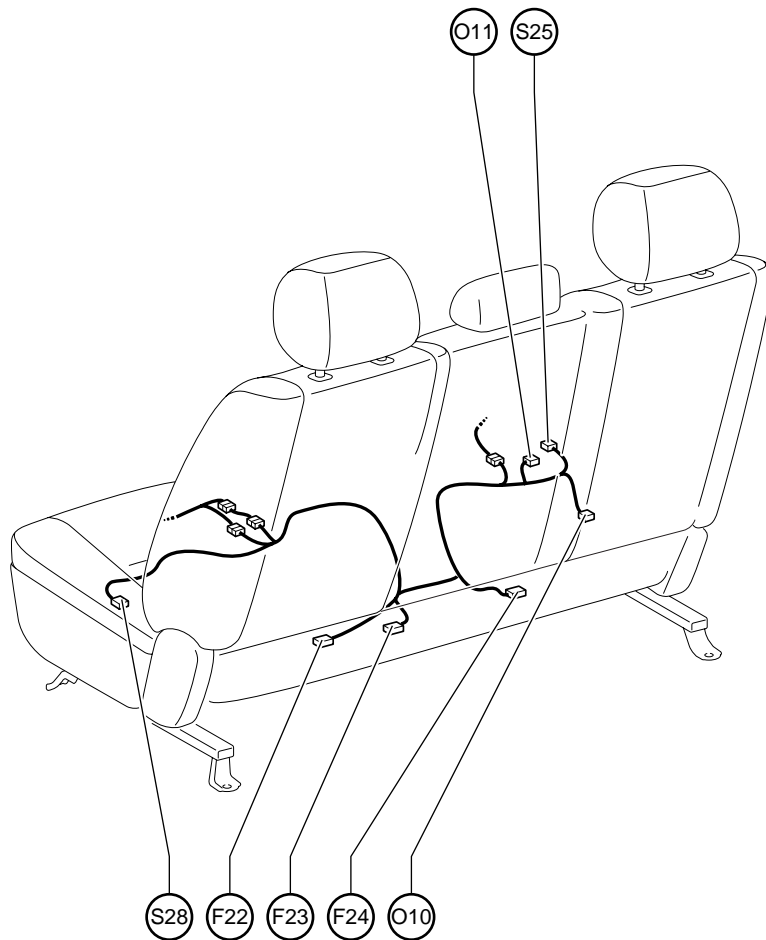
F 20 Front Seat Inner Belt (Driver's Side)  
F 21 Front Seat Inner Belt (Driver's Side)  
F 25 Front Seat Inner Belt (Front Passenger's Side)

S 26 Side Airbag Squib (LH)  
S 27 Side Airbag Squib (RH)

O 4 Occupant Classification ECU  
O 5 Occupant Classification ECU  
O 6 Occupant Classification Sensor (Front LH)  
O 7 Occupant Classification Sensor (Front RH)  
O 8 Occupant Classification Sensor (Rear LH)  
O 9 Occupant Classification Sensor (Rear RH)

## Position of Parts in Seat

### [Bench Seat]



F22 Front Seat Inner Belt (Driver's Side)  
 F23 Front Seat Inner Belt (Driver's Side)  
 F24 Front Seat Inner Belt (Front Passenger's Side)

S25 Seat Position Airbag Sensor (Driver's Side)  
 S28 Seat Position Airbag Sensor (Front Passenger's Side)

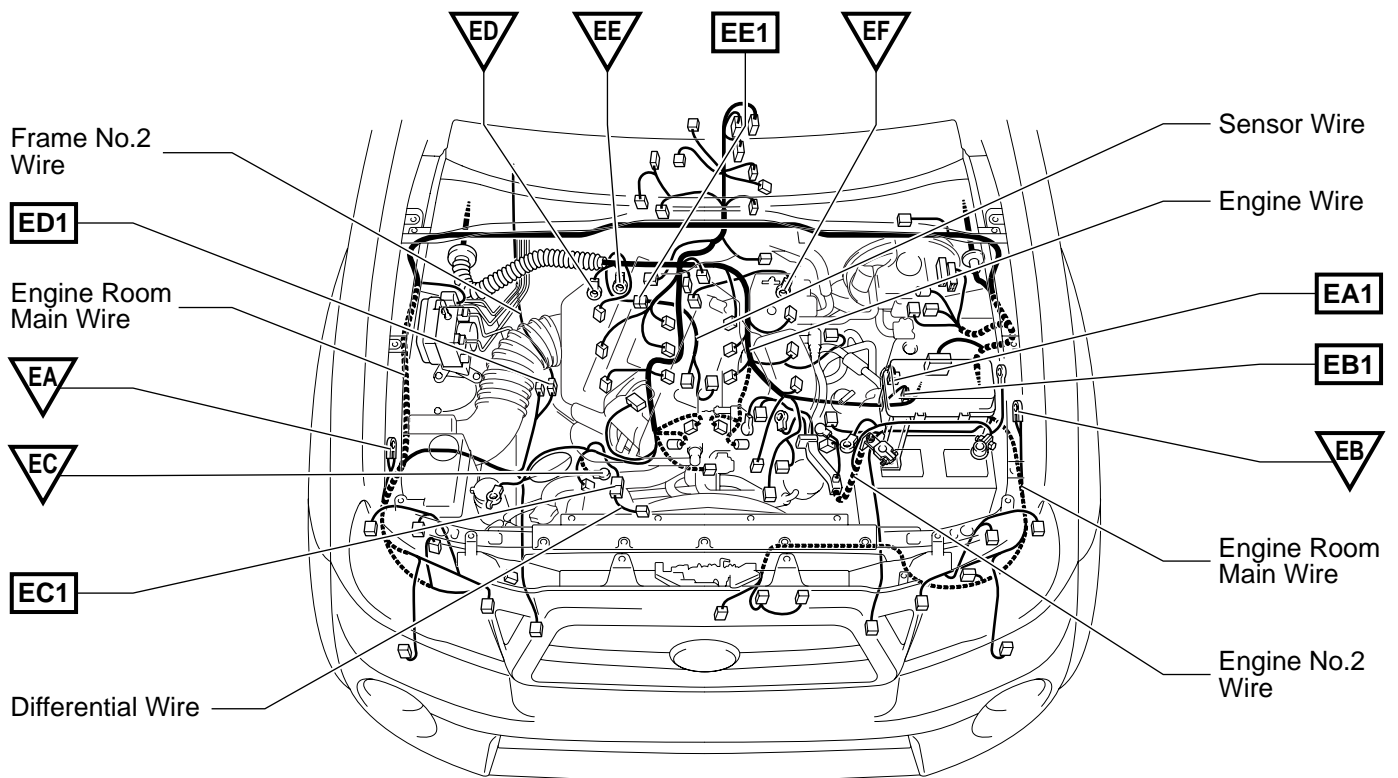
O10 Occupant Classification ECU  
 O11 Occupant Classification Sensor

# G ELECTRICAL WIRING ROUTING

□ : Location of Connector Joining Wire Harness and Wire Harness

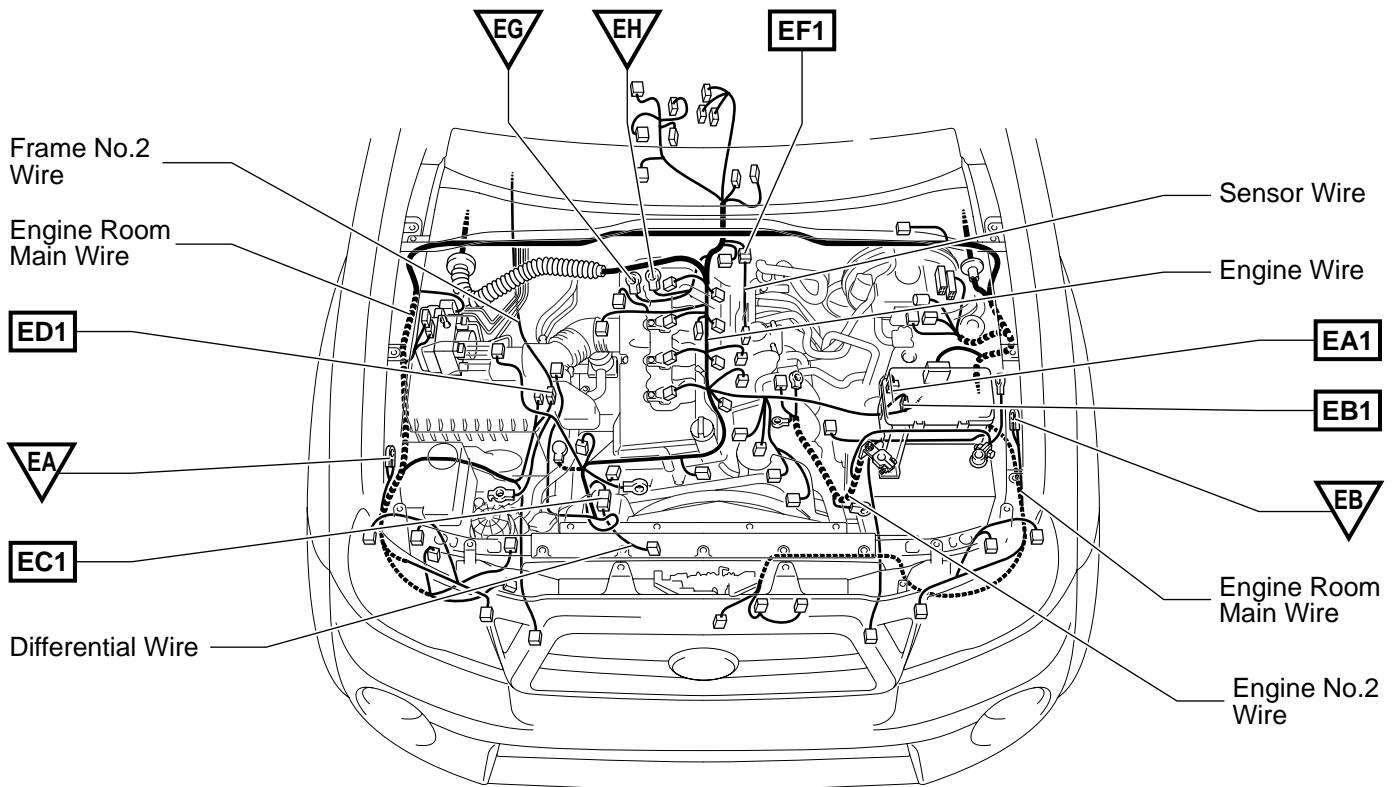
▽ : Location of Ground Points

[1GR-FE]



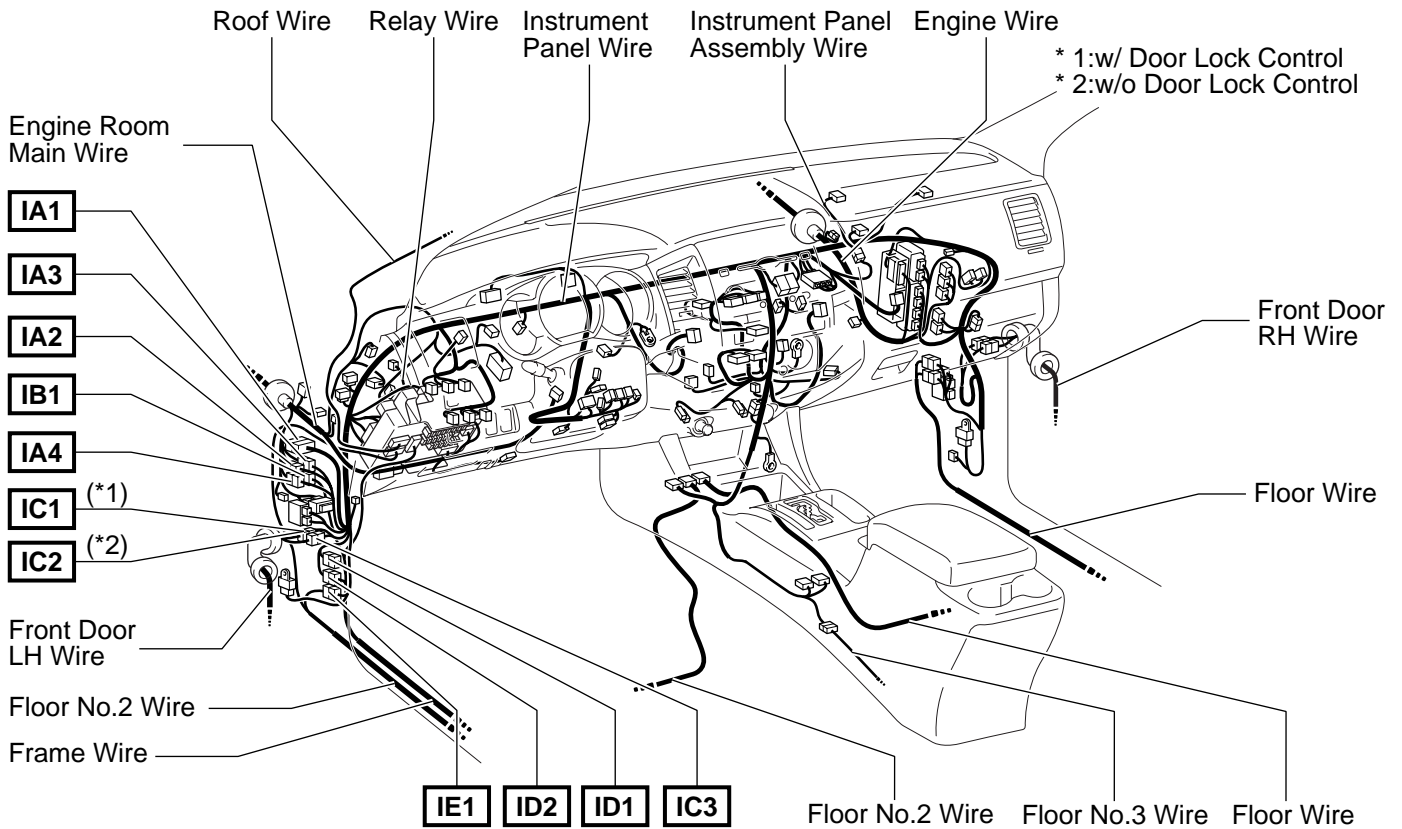
□ : Location of Connector Joining Wire Harness and Wire Harness  
▽ : Location of Ground Points

[2TR-FE]

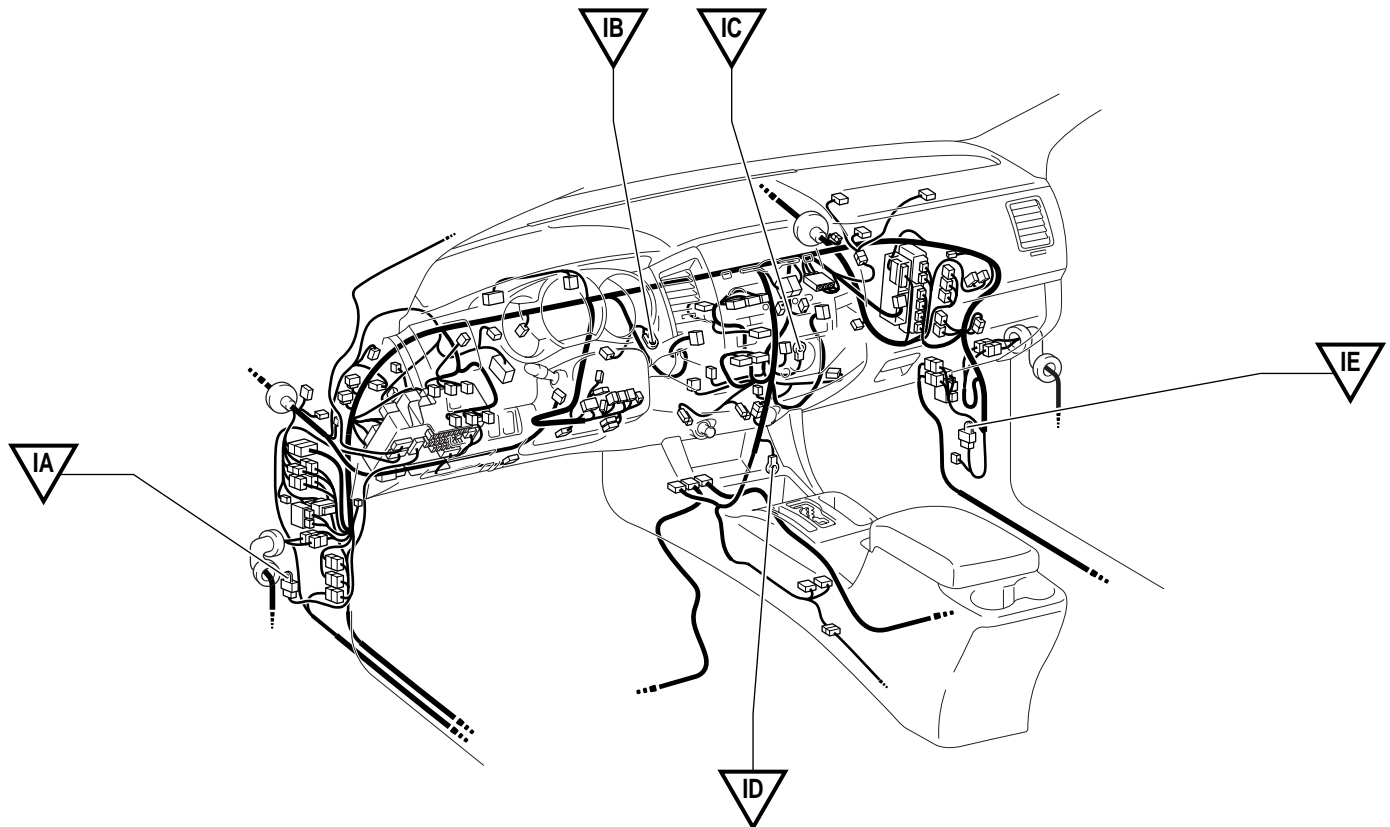


# G ELECTRICAL WIRING ROUTING

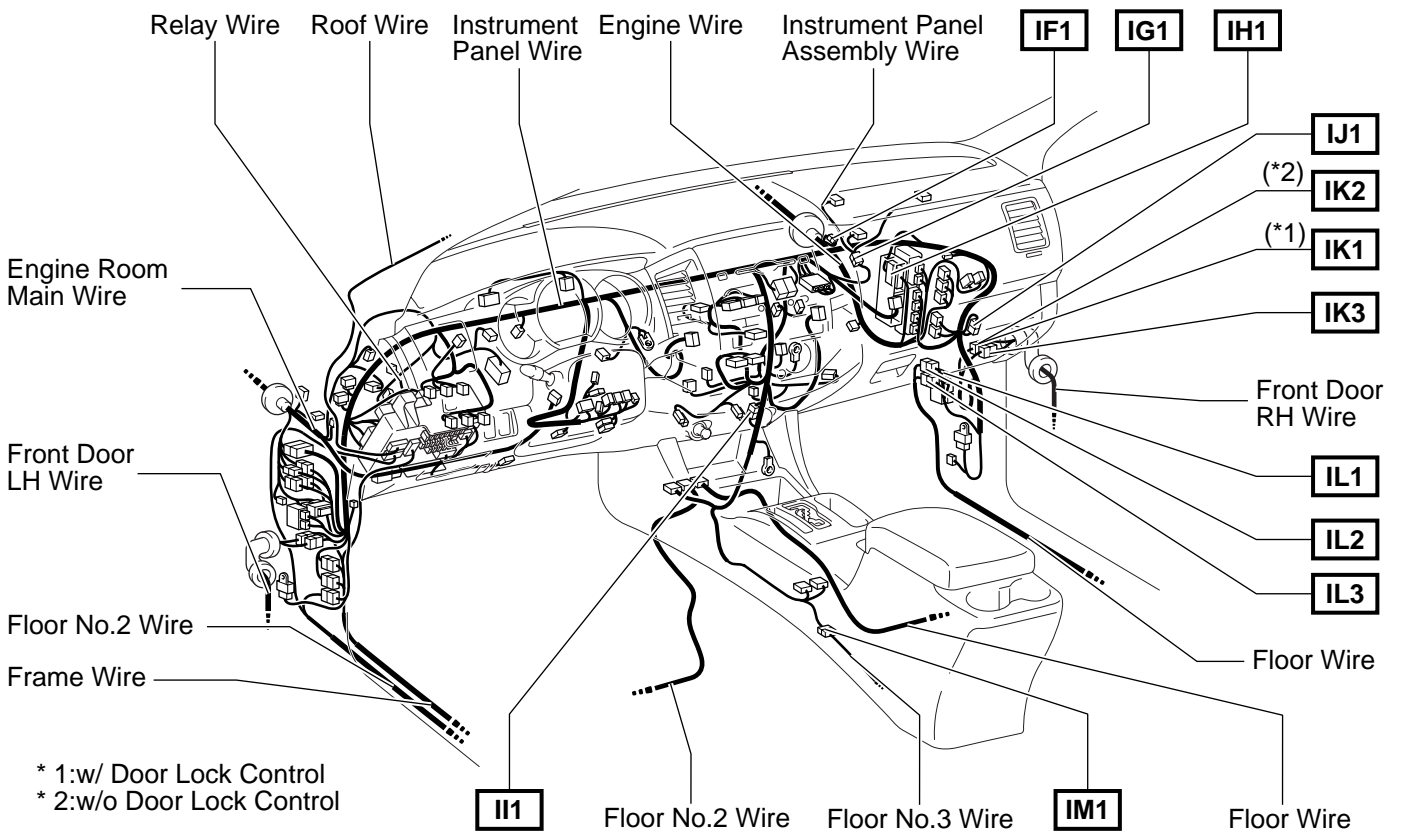
**□ : Location of Connector Joining Wire Harness and Wire Harness**



**▽ : Location of Ground Points**



**□ : Location of Connector Joining Wire Harness and Wire Harness**



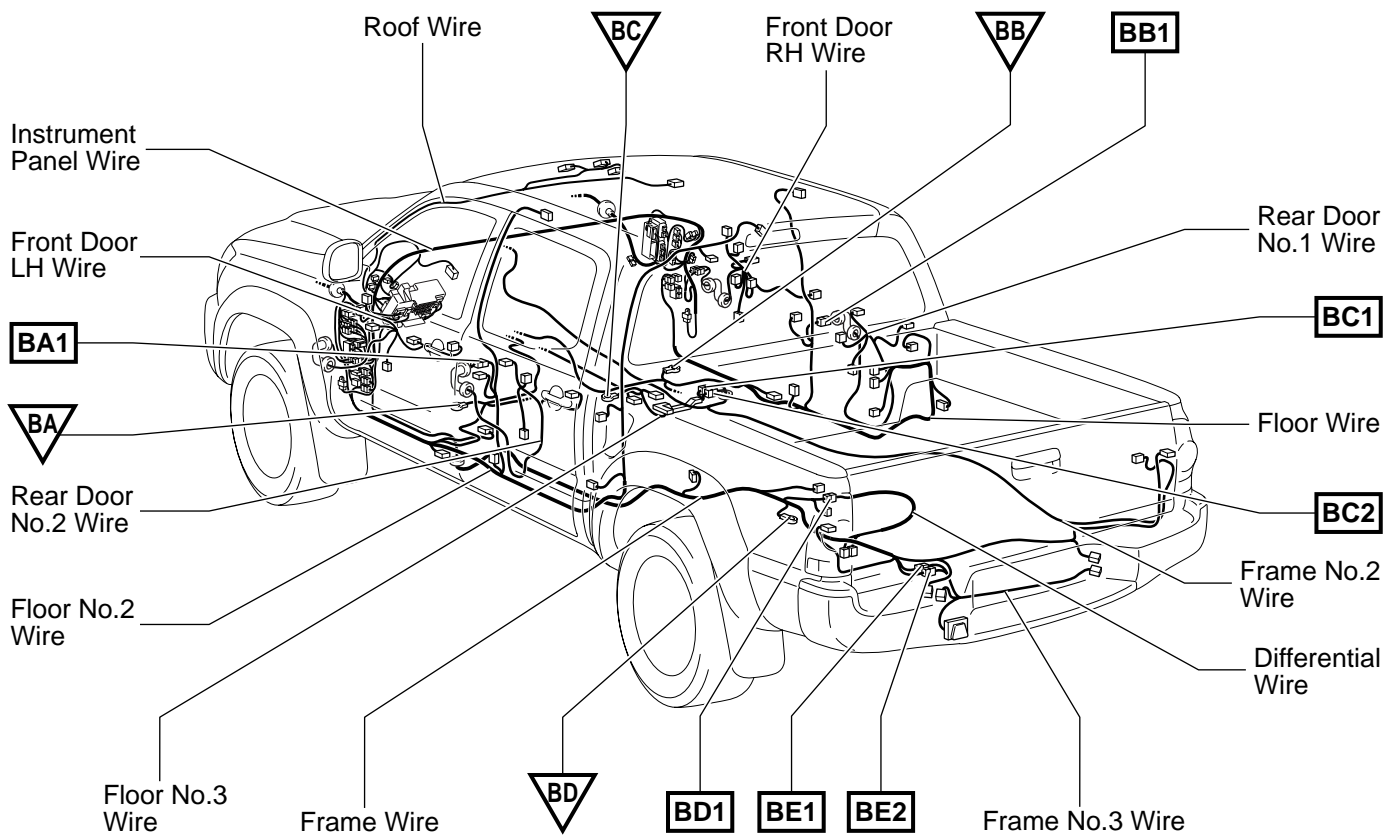


# G ELECTRICAL WIRING ROUTING

□ : Location of Connector Joining Wire Harness and Wire Harness

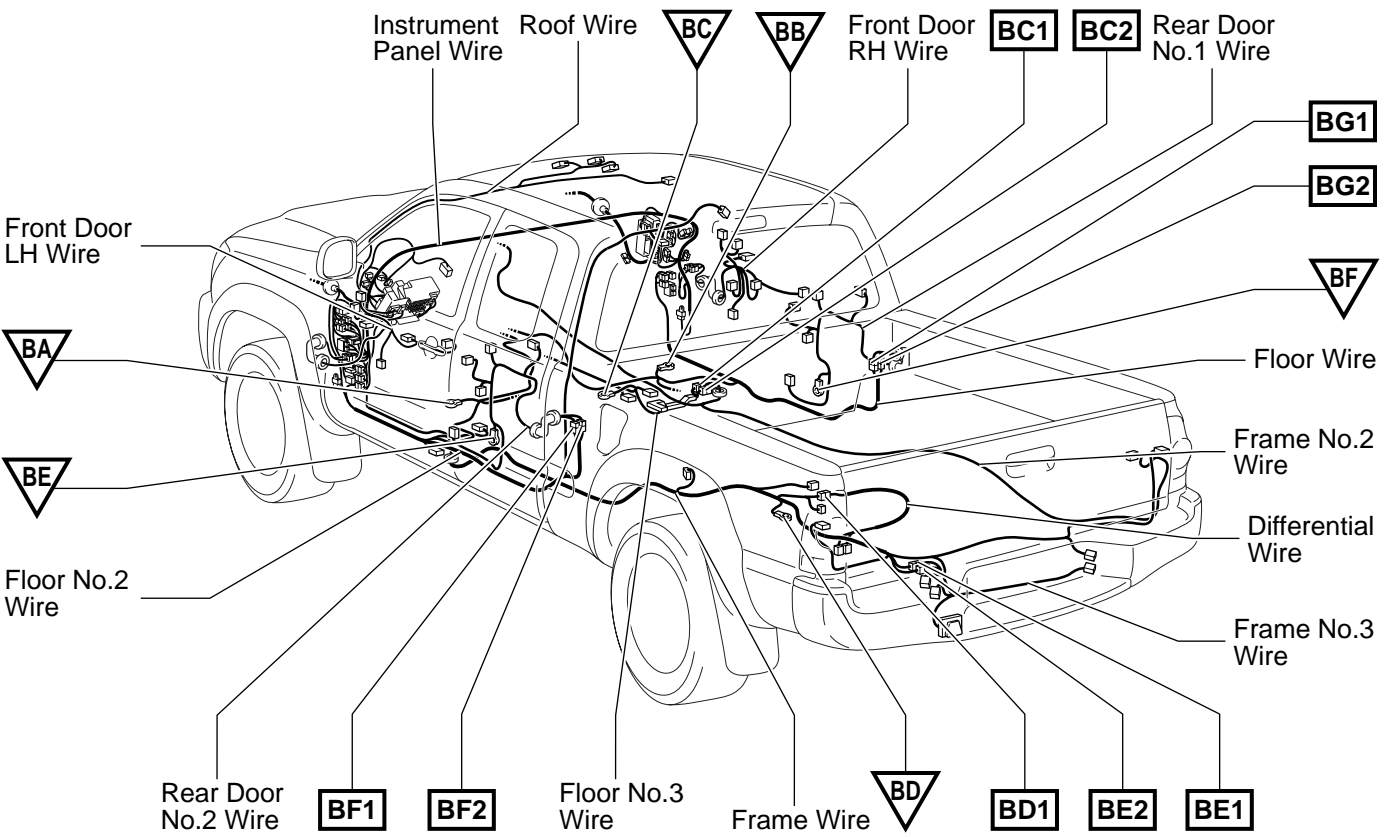
▽ : Location of Ground Points

[Double Cab]



□ : Location of Connector Joining Wire Harness and Wire Harness  
 ▽ : Location of Ground Points

[Access Cab]

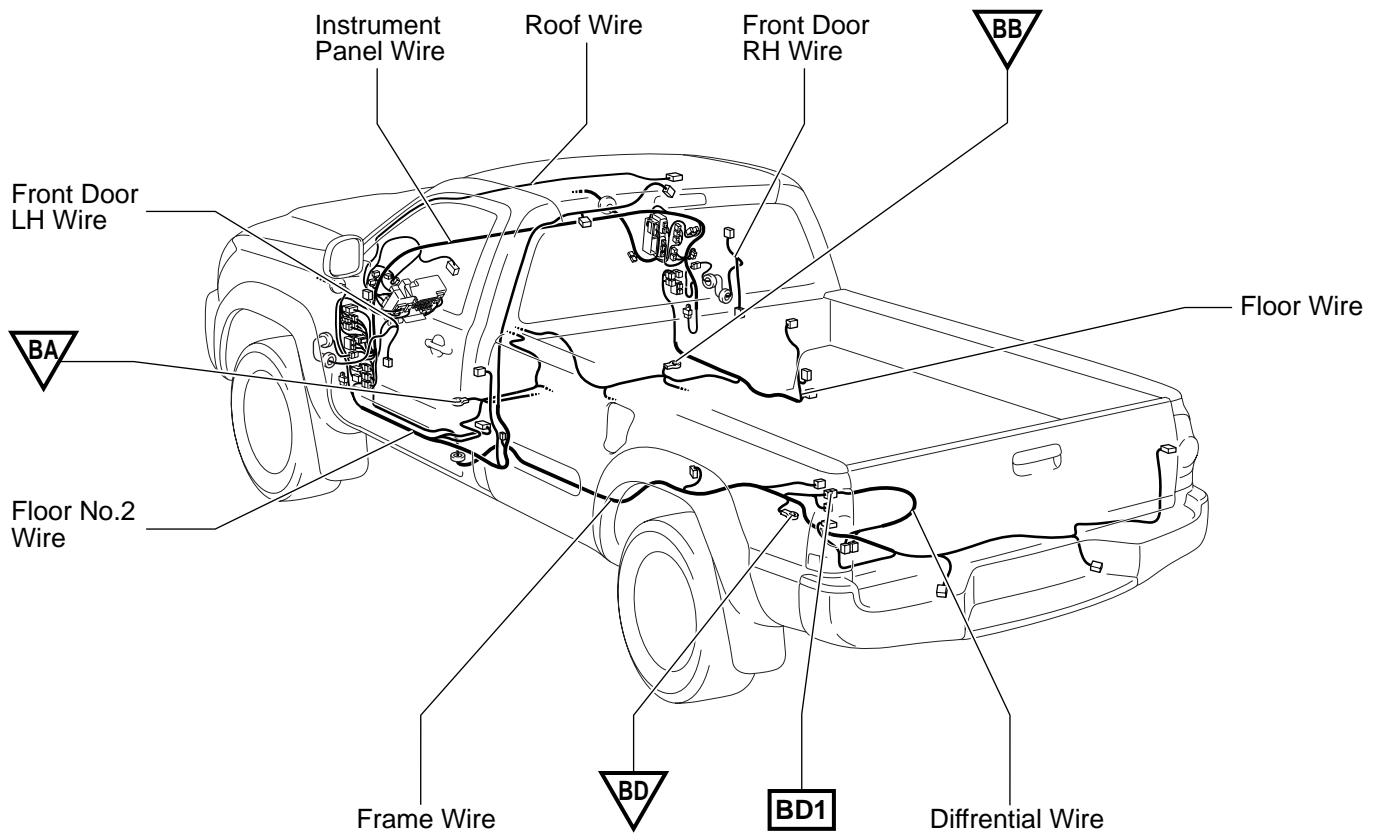


# G ELECTRICAL WIRING ROUTING

□ : Location of Connector Joining Wire Harness and Wire Harness

▽ : Location of Ground Points

[Regular Cab]

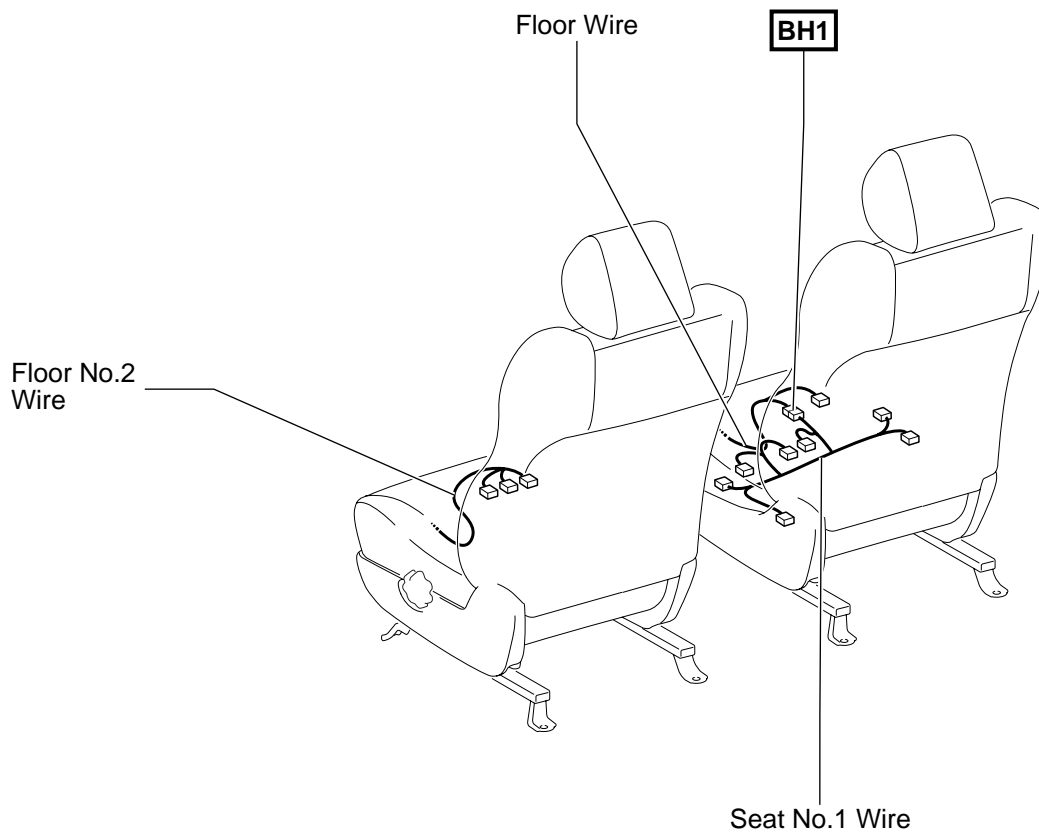




## G ELECTRICAL WIRING ROUTING

 : Location of Connector Joining Wire Harness and Wire Harness

[Separate Seat]



**□ : Location of Connector Joining Wire Harness and Wire Harness**

**[Bench Seat]**

