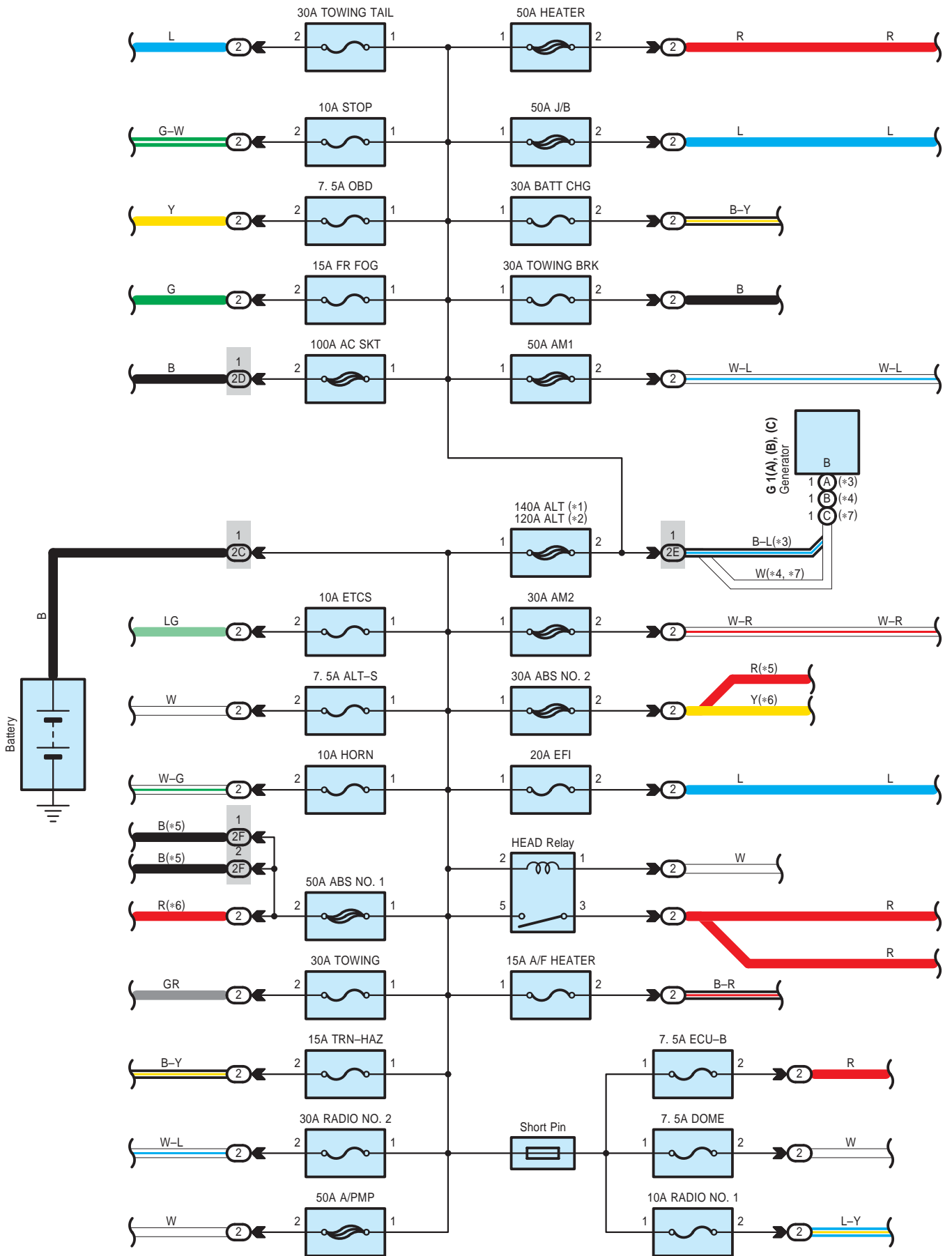
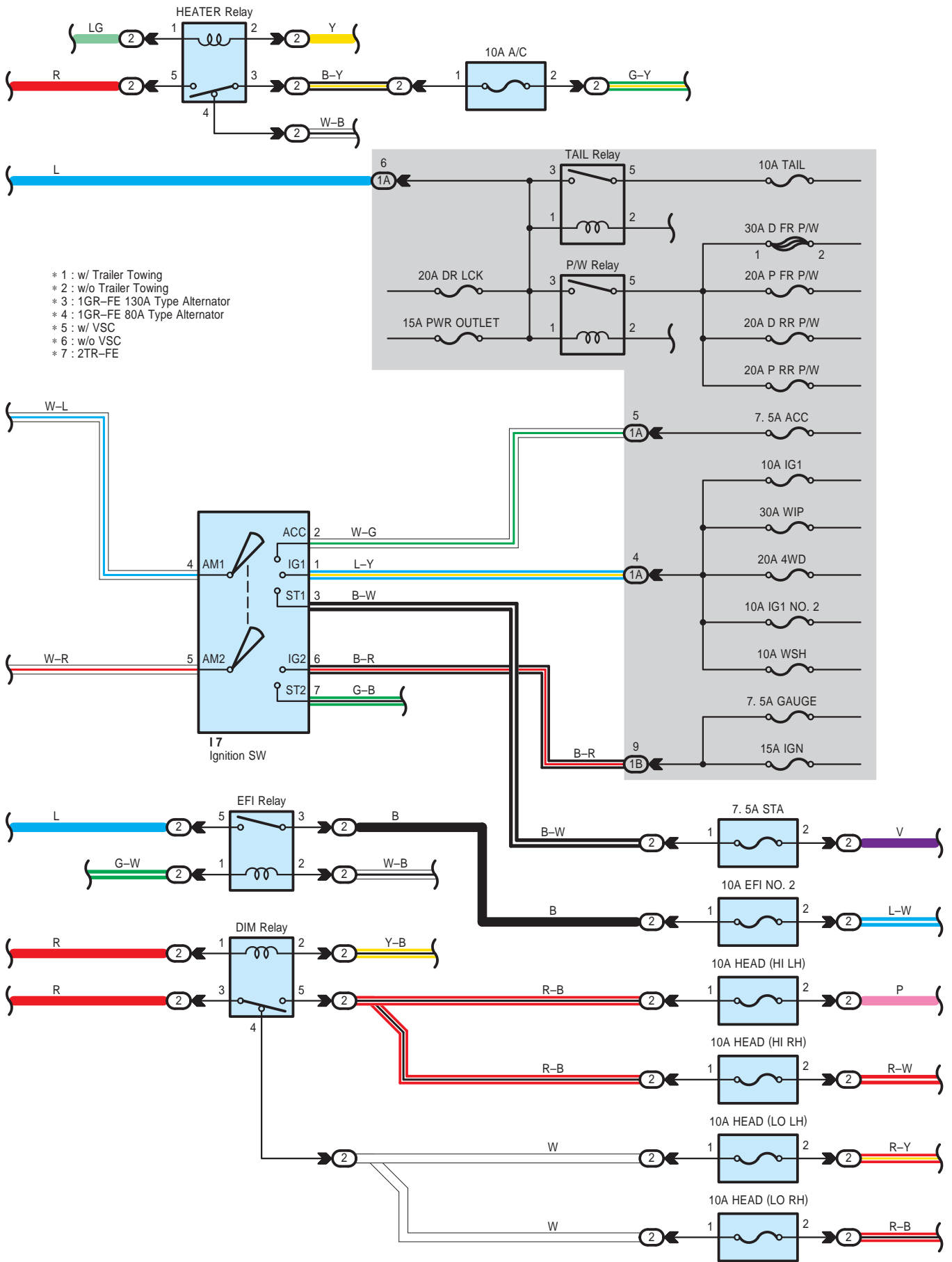


Power Source





Power Source

○ : Parts Location

Code		See Page	Code		See Page	Code	See Page
G1	A	40 (1GR-FE)	G1	C	42 (2TR-FE)		
	B	40 (1GR-FE)	17		45		

○ : Relay Blocks

Code	See Page	Relay Blocks (Relay Block Location)
2	24	Engine Room R/B (Engine Compartment Left)

○ : Junction Block and Wire Harness Connector

Code	See Page	Junction Block and Wire Harness (Connector Location)
1A	28	Engine Room Main Wire and Driver Side J/B (Lower Finish Panel)
1B		
2C	24	Engine Room Main Wire and Engine Room J/B (Engine Compartment Left)
2D		
2E	24 (1GR-FE)	Engine No.2 Wire and Engine Room J/B (Engine Compartment Left)
	24 (2TR-FE)	Engine Wire and Engine Room J/B (Engine Compartment Left)
2F	25	Engine Room Main Wire and Engine Room J/B (Engine Compartment Left)

