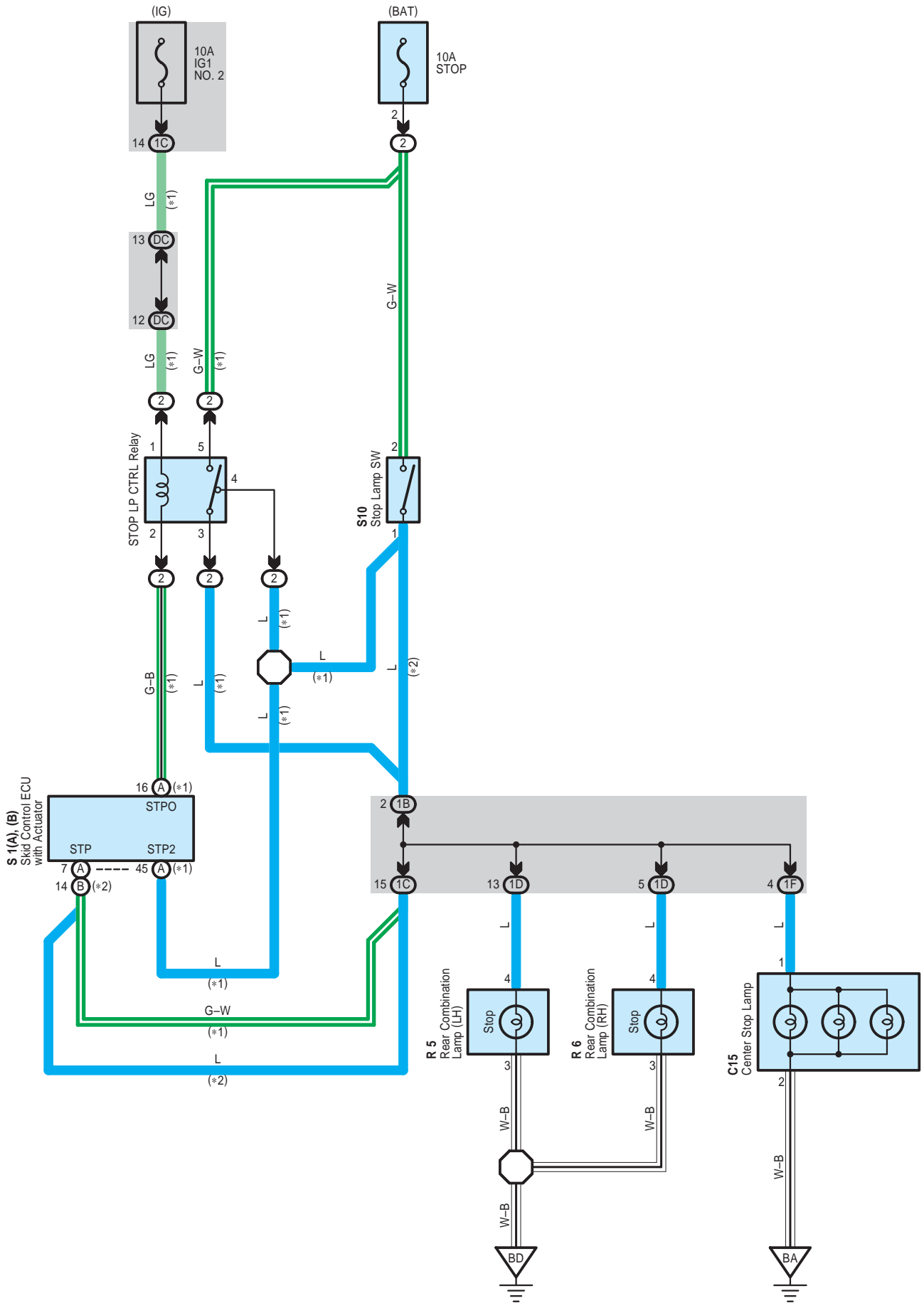


Stop Light

* 1 : w/ VSC
 * 2 : w/o VSC



 : Parts Location

Code	See Page	Code	See Page	Code	See Page
C15	46 (*1)	R5	49 (*3)	S1	A 43 (2TR-FE)
	48 (*2)	R6	47 (*1)		B
	49 (*3)		48 (*2)	43 (2TR-FE)	
R5	47 (*1)	49 (*3)		S10	45
	48 (*2)	S1	A	41 (1GR-FE)	

 : Relay Blocks

Code	See Page	Relay Blocks (Relay Block Location)
2	24	Engine Room R/B (Engine Compartment Left)

 : Junction Block and Wire Harness Connector

Code	See Page	Junction Block and Wire Harness (Connector Location)
1B	28	Engine Room Main Wire and Driver Side J/B (Lower Finish Panel)
1C		
1D	28	Frame Wire and Driver Side J/B (Lower Finish Panel)
1F	28	Floor No.2 Wire and Driver Side J/B (Lower Finish Panel)
DC	34	Engine Room Main Wire and Instrument Panel J/B No.1 (Left Kick Panel)

 : Ground Points

Code	See Page	Ground Points Location
BA	56 (*1)	Floor Seat Cross Member LH
	57 (*2)	
	58 (*3)	
BD	56 (*1)	Near the Rear Differential
	57 (*2)	
	58 (*3)	

* 1 : Double Cab * 2 : Access Cab * 3 : Regular Cab * 4 : Separate Seat * 5 : Bench Seat