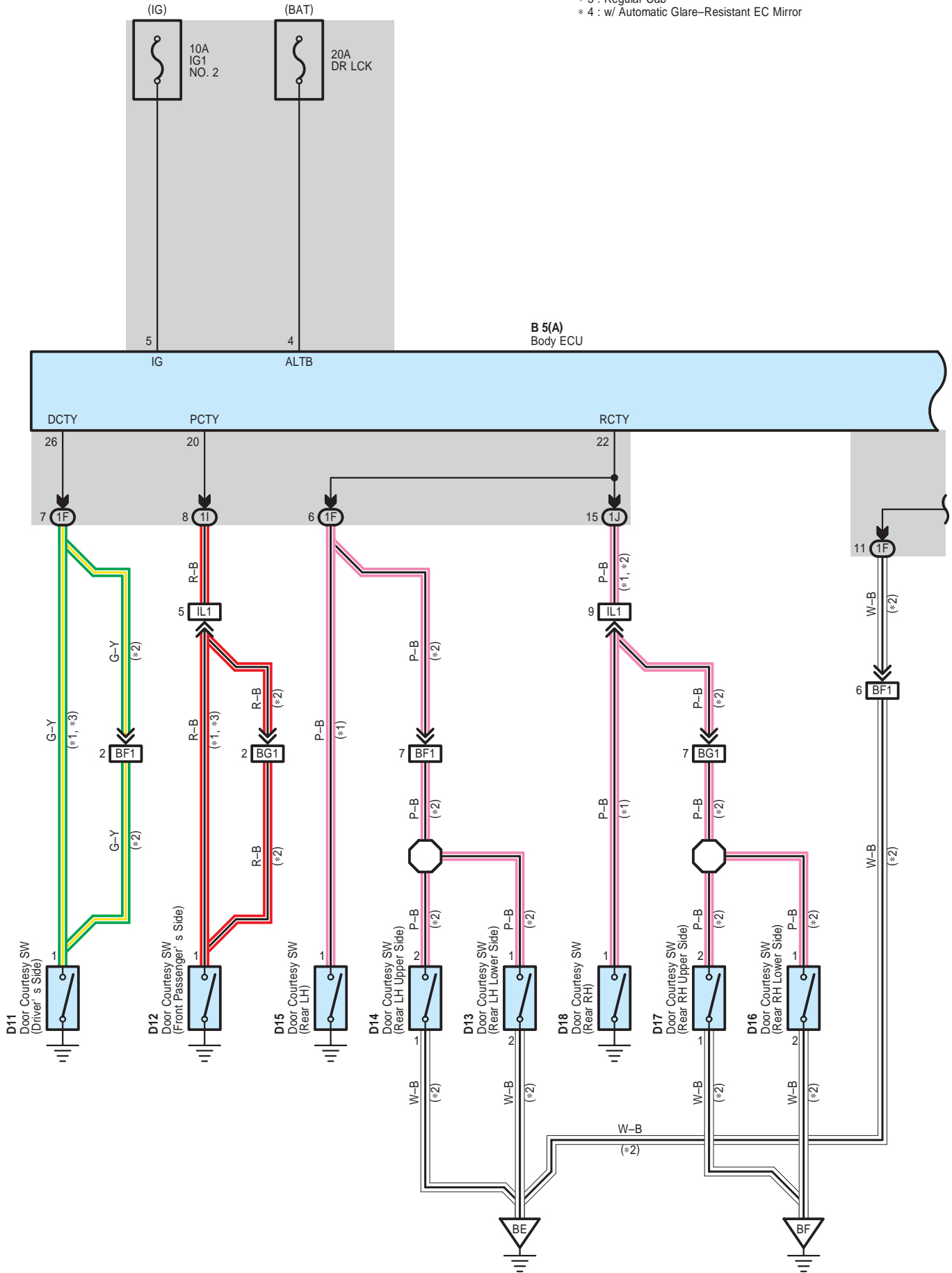
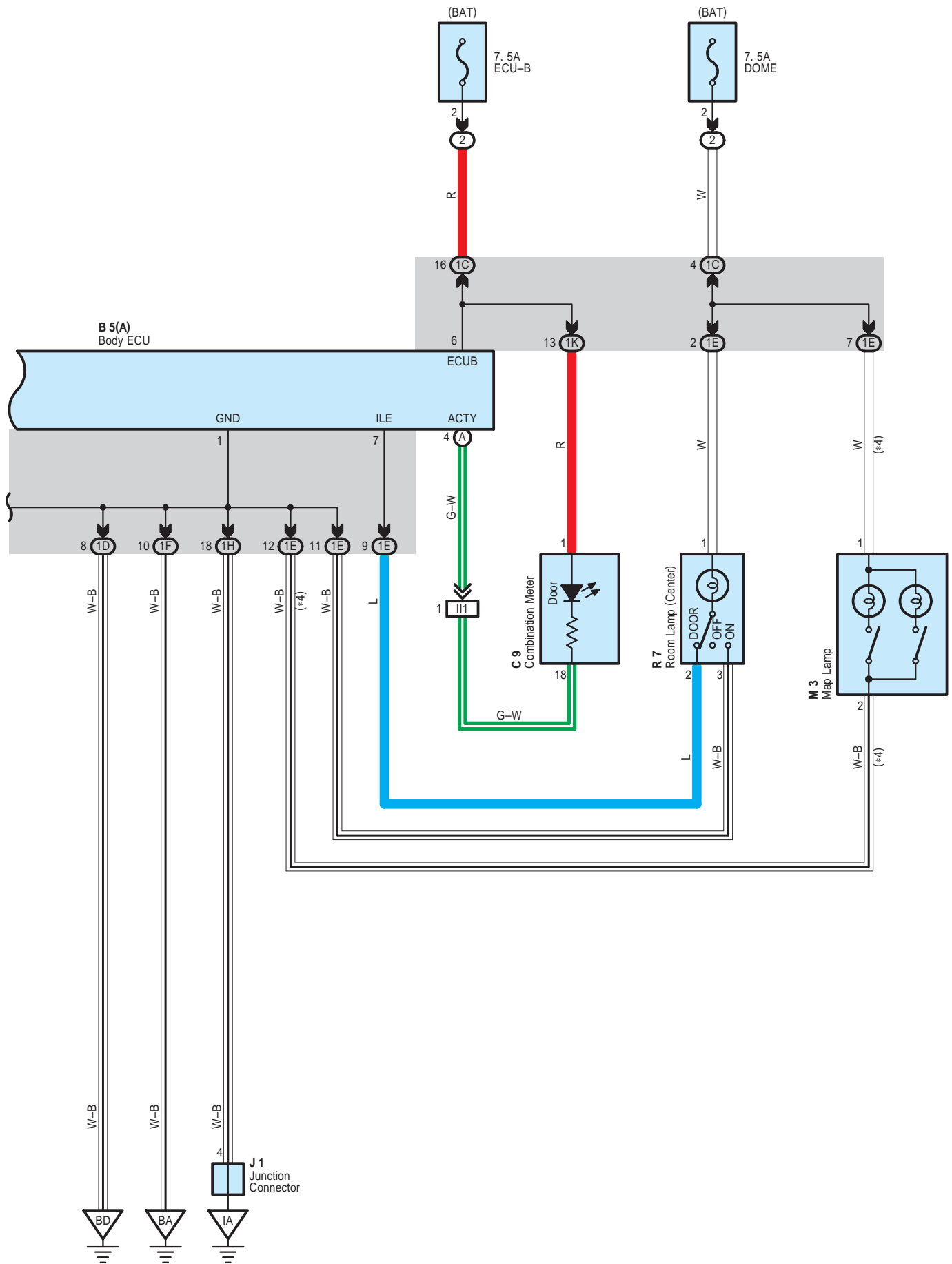


Interior Light

- * 1 : Double Cab
- * 2 : Access Cab
- * 3 : Regular Cab
- * 4 : w/ Automatic Glare-Resistant EC Mirror





Interior Light

: Parts Location

Code	See Page	Code	See Page	Code	See Page	
B5	A	44	D12	49 (*3)	J1	45
C9	44	D13	48 (*2)	M3	46 (*1)	
D11	46 (*1)	D14	48 (*2)		48 (*2)	
	48 (*2)	D15	46 (*1)	R7	47 (*1)	
	49 (*3)	D16	48 (*2)		48 (*2)	
D12	46 (*1)	D17	48 (*2)		49 (*3)	
	48 (*2)	D18	46 (*1)			

: Relay Blocks

Code	See Page	Relay Blocks (Relay Block Location)
2	24	Engine Room R/B (Engine Compartment Left)

: Junction Block and Wire Harness Connector

Code	See Page	Junction Block and Wire Harness (Connector Location)
1C	28	Engine Room Main Wire and Driver Side J/B (Lower Finish Panel)
1D	28	Frame Wire and Driver Side J/B (Lower Finish Panel)
1E	28	Roof Wire and Driver Side J/B (Lower Finish Panel)
1F	28	Floor No.2 Wire and Driver Side J/B (Lower Finish Panel)
1H	29	Instrument Panel Wire and Driver Side J/B (Lower Finish Panel)
1I		
1J		
1K		

: Connector Joining Wire Harness and Wire Harness

Code	See Page	Joining Wire Harness and Wire Harness (Connector Location)
II1	55	Instrument Panel Wire and Instrument Panel Wire (Instrument Panel Brace RH)
IL1	55	Instrument Panel Wire and Floor Wire (Right Kick Panel)
BF1	57 (*2)	Rear Door No.2 Wire and Floor No.2 Wire (Under the Left Quarter Panel)
BG1	57 (*2)	Rear Door No.1 Wire and Floor Wire (Under the Right Quarter Panel)

: Ground Points

Code	See Page	Ground Points Location
IA	54	Left Kick Panel
BA	56 (*1)	Floor Seat Cross Member LH
	57 (*2)	
	58 (*3)	
BD	56 (*1)	Near the Rear Differential
	57 (*2)	
	58 (*3)	
BE	57 (*2)	Inside of the Access Door LH
BF	57 (*2)	Inside of the Access Door RH

* 1 : Double Cab * 2 : Access Cab * 3 : Regular Cab * 4 : Separate Seat * 5 : Bench Seat

