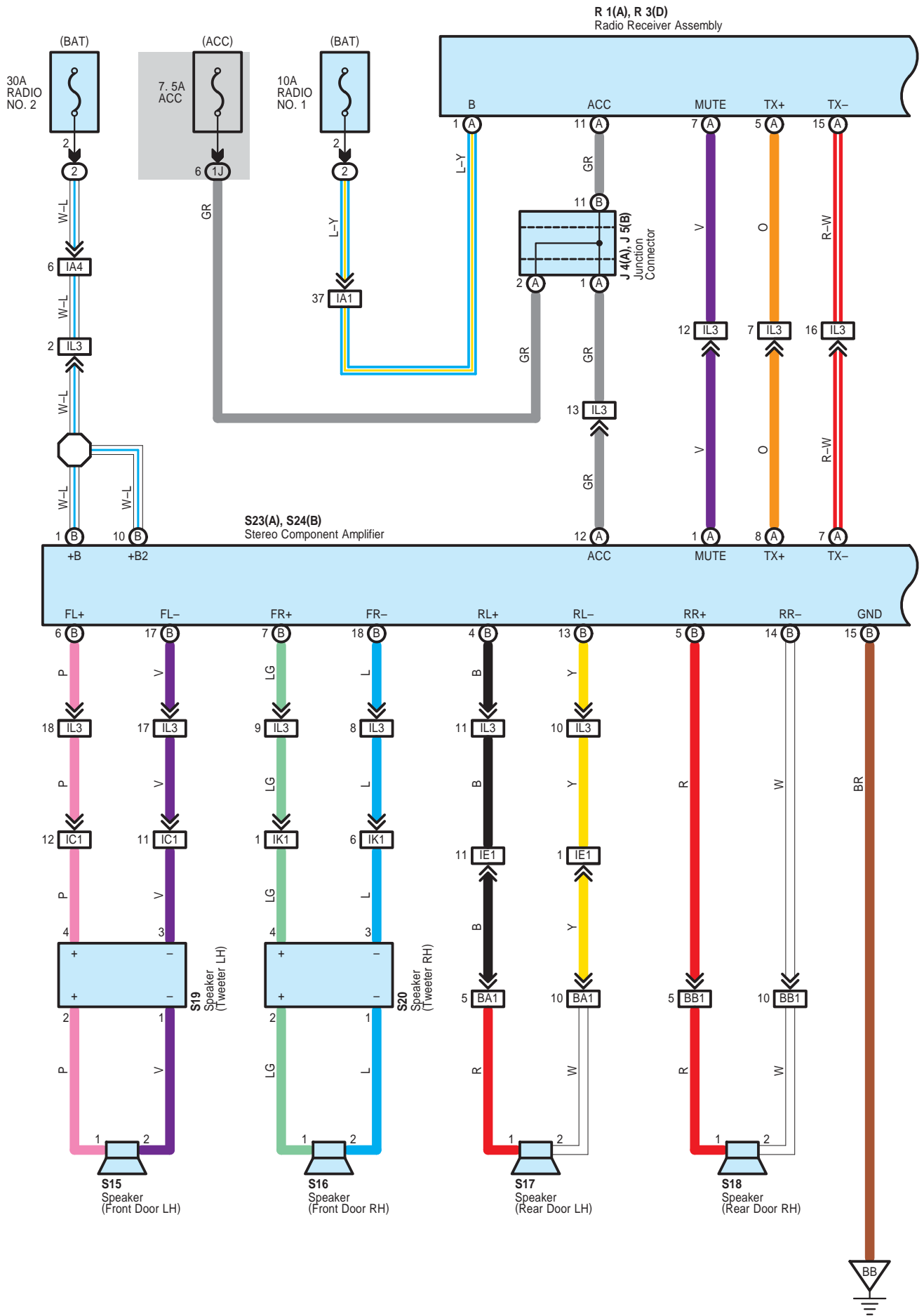
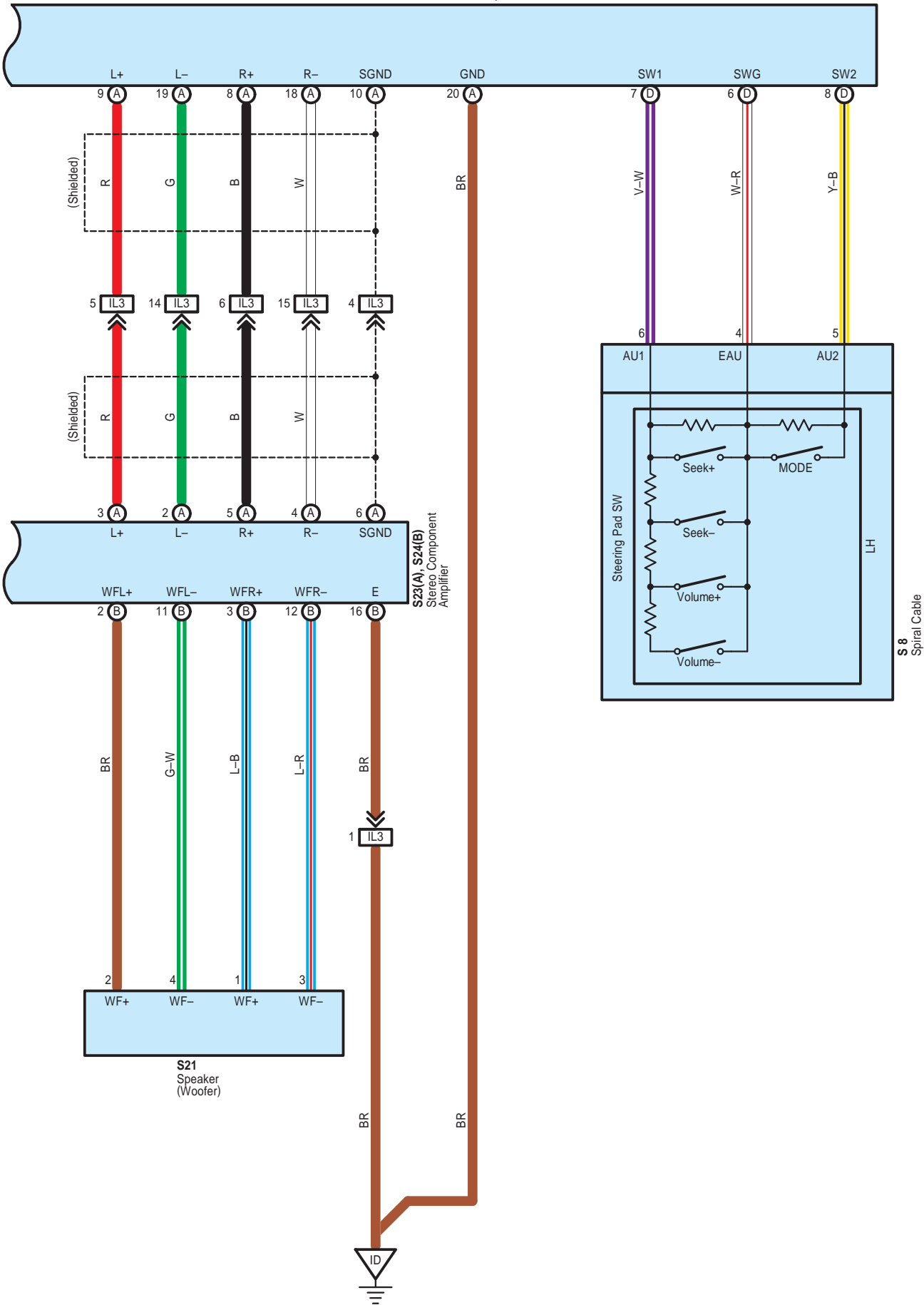


Audio System for Separate Type Amplifier



R 1(A), R 3(D)
Radio Receiver Assembly



Audio System for Separate Type Amplifier

○ : Parts Location

Code		See Page	Code	See Page	Code	See Page
J4	A	45	S15	47 (*1)	S20	47 (*1)
J5	B	45	S16	47 (*1)	S21	47 (*1)
R1	A	45	S17	47 (*1)	S23	A 47 (*1)
R3	D	45	S18	47 (*1)	S24	B 47 (*1)
S8		45	S19	47 (*1)		

○ : Relay Blocks

Code	See Page	Relay Blocks (Relay Block Location)
2	24	Engine Room R/B (Engine Compartment Left)

○ : Junction Block and Wire Harness Connector

Code	See Page	Junction Block and Wire Harness (Connector Location)
1J	29	Instrument Panel Wire and Driver Side J/B (Lower Finish Panel)

□ : Connector Joining Wire Harness and Wire Harness

Code	See Page	Joining Wire Harness and Wire Harness (Connector Location)
IA1	54	Instrument Panel Wire and Engine Room Main Wire (Left Kick Panel)
IA4		
IC1	54	Front Door LH Wire and Instrument Panel Wire (Left Kick Panel)
IE1	54	Instrument Panel Wire and Floor No.2 Wire (Left Kick Panel)
IK1	55	Front Door RH Wire and Instrument Panel Wire (Right Kick Panel)
IL3	55	Instrument Panel Wire and Floor Wire (Right Kick Panel)
BA1	56 (*1)	Rear Door No.2 Wire and Floor No.2 Wire (Under the Left Center Pillar)
BB1	56 (*1)	Rear Door No.1 Wire and Floor Wire (Under the Right Center Pillar)

▽ : Ground Points

Code	See Page	Ground Points Location
ID	54	Instrument Panel Brace RH
BB	56 (*1)	Floor Seat Cross Member RH

* 1 : Double Cab * 2 : Access Cab * 3 : Regular Cab * 4 : Separate Seat * 5 : Bench Seat

