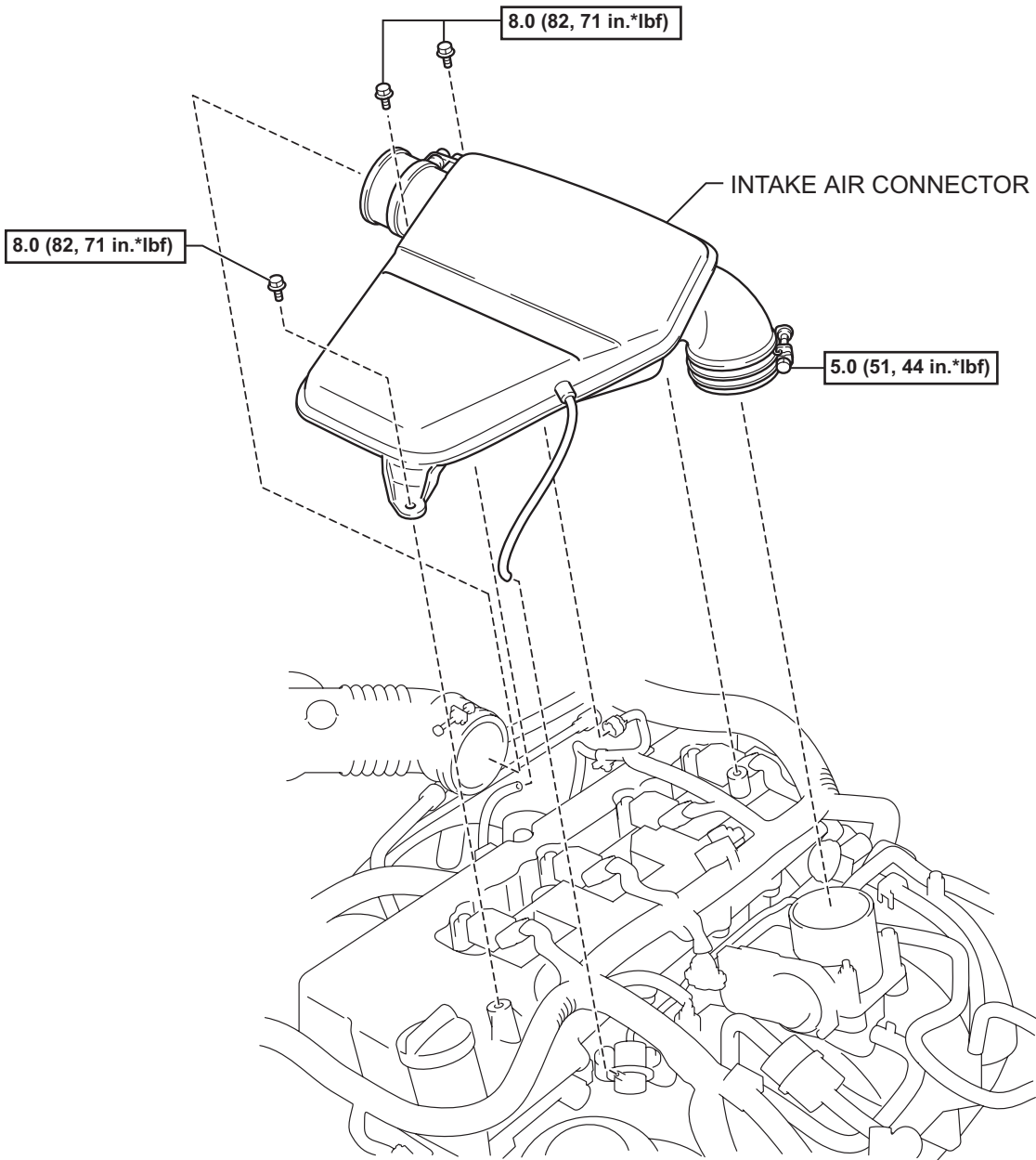
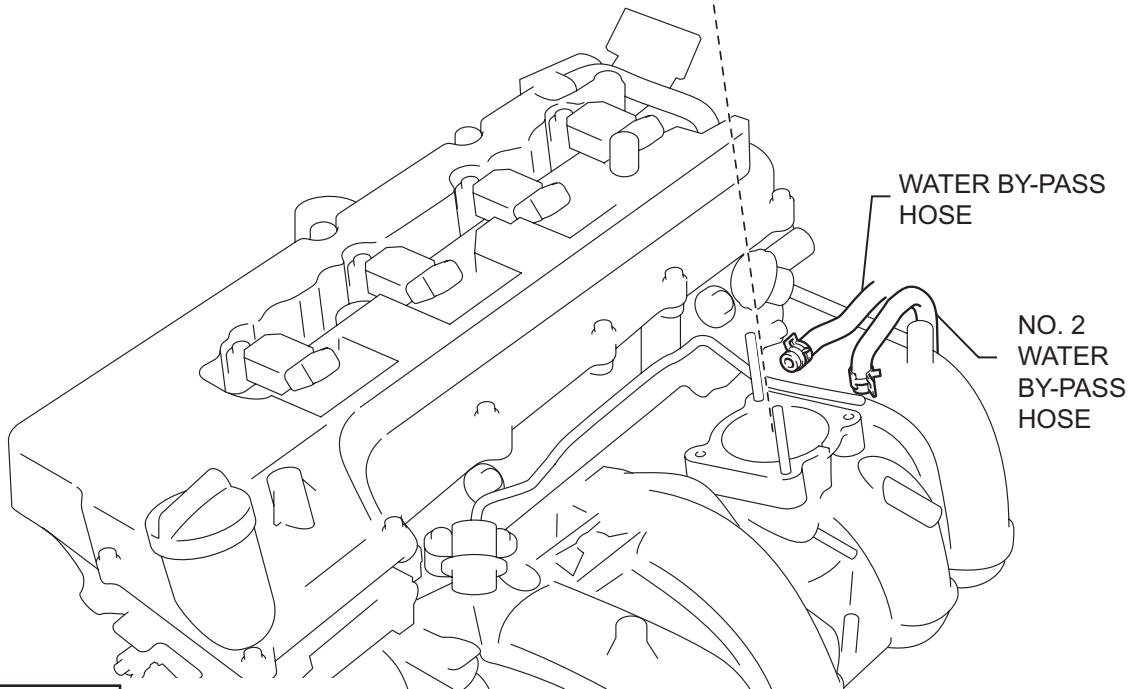
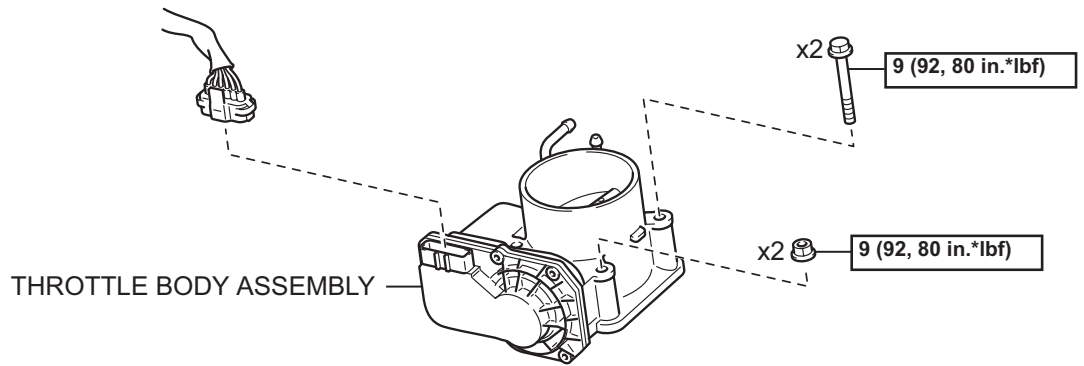


FUEL INJECTOR COMPONENTS



N*m (kgf*cm, ft*lbf) : Specified torque

FU



N*m (kgf*cm, ft*lbf) : Specified torque

● Non-reusable part

FU

FUEL DELIVERY PIPE
SUB-ASSEMBLY WITH FUEL
PRESSURE REGULATOR
ASSEMBLY

● FUEL INJECTOR O-RING

FUEL INJECTOR
ASSEMBLY

● INJECTOR VIBRATION
INSULATOR

x4 SPACER
x4 O-RING

8.5(87, 75 in.*lbf)

x2 FUEL PRESSURE
PULSATION
DAMPER ASSEMBLY

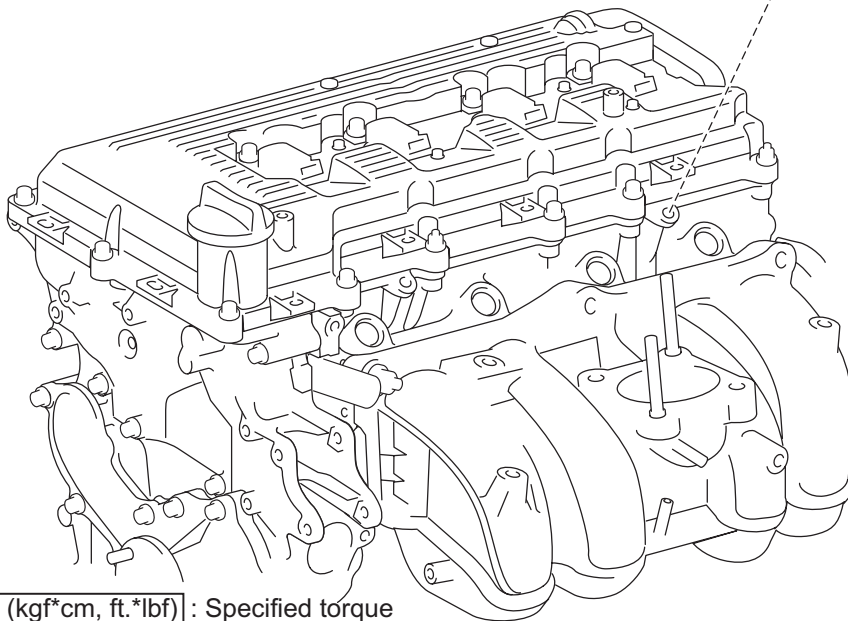
12 (122, 9)

12 (122, 9)

FUEL HOSE

DELIVERY PIPE
NO. 1 SPACER

FUEL HOSE NO.2



N*m (kgf*cm, ft.*lbf) : Specified torque

● Non-reusable part