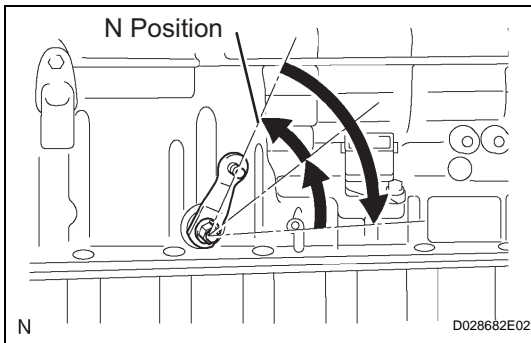


ADJUSTMENT

1. INSPECT SHIFT LEVER POSITION

- Check that the shift lever moves smoothly and appropriately from the P to R position, only when the ignition switch is turned to ON and the brake pedal is depressed.
- When starting the engine, make sure that the vehicle moves forward when shifting the lever from the N to D position and moves rearward when shifting the lever to the R position.



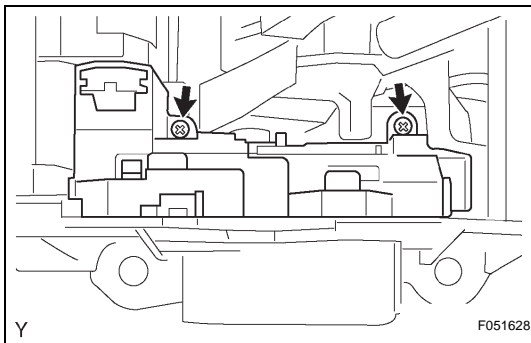
2. ADJUST SHIFT LEVER POSITION

- Push the control shaft fully rearward.
- Turn the control shaft lever 2 notches counterclockwise to the N position.
- Set the shift lever to the N position.

REASSEMBLY

1. INSTALL SHIFT LOCK CONTROL ECU SUB-ASSEMBLY

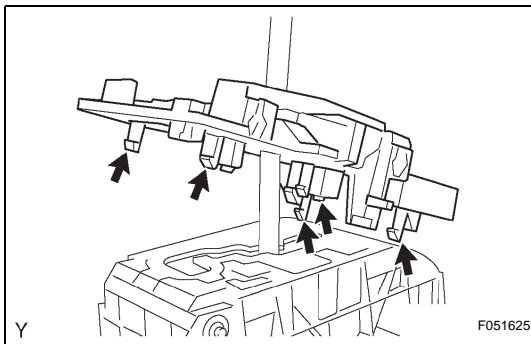
- Install the shift lock control ECU with the 2 screws.
- Install the spring and shift lock release link.
- Install the shift lever guide housing .
- Install the lever lock and new shift lever nut.



2. INSTALL LOWER POSITION INDICATOR HOUSING

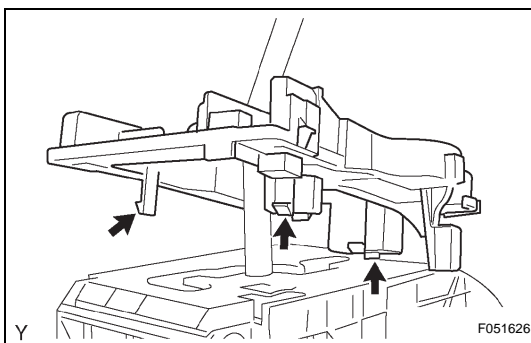
- CABLE TYPE:
 - Install the position indicator housing lower.

HINT:
Firmly make the claws fit.

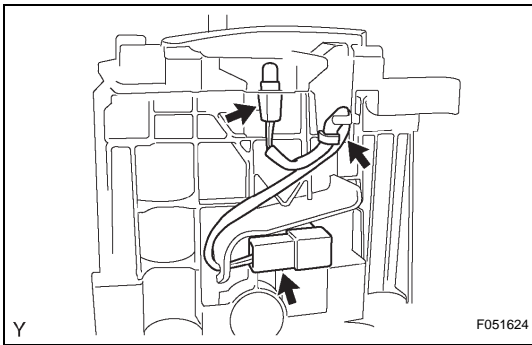


- ROD TYPE:
 - Install the position indicator housing lower.

HINT:
Firmly make the claws fit.

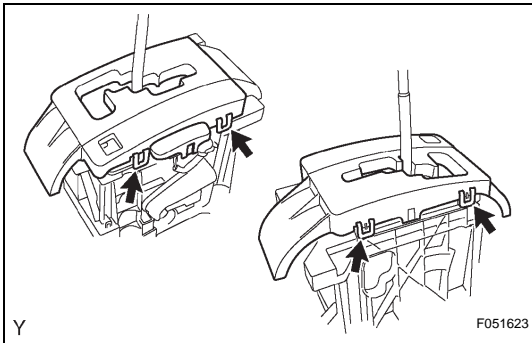


3. INSTALL SHIFT LOCK RELEASE BUTTON



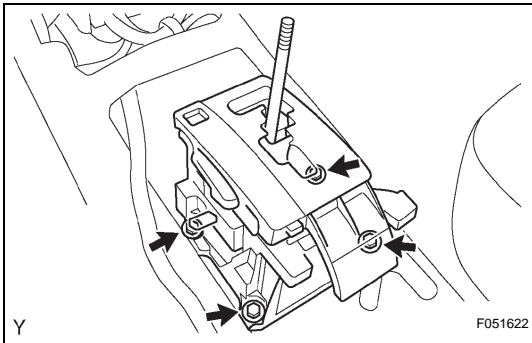
4. INSTALL INDICATOR LAMP WIRE SUB-ASSEMBLY

- (a) Install the bulb into the indicator lamp wire sub-assembly.
- (b) Install the indicator lamp wire sub-assembly.



5. INSTALL UPPER POSITION INDICATOR HOUSING

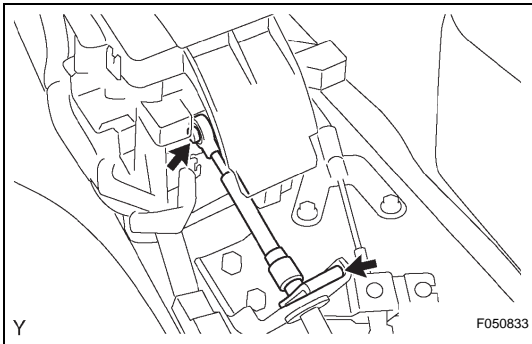
- (a) Install the slide cover and position indicator housing sub-assembly onto the shift lever guide housing.
- HINT:
Firmly make the claws fit.



INSTALLATION

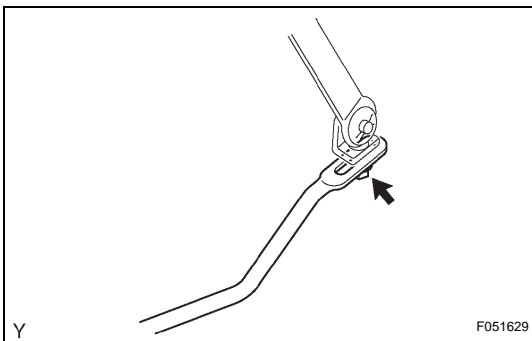
1. INSTALL FLOOR SHIFT ASSEMBLY

- (a) Install the floor shift with the 4 bolts.
Torque: 14 N*m (143 kgf*cm, 10 ft.*lbf)
- (b) Connect the 2 clamps and 2 connectors.



2. CONNECT TRANSMISSION CONTROL CABLE ASSEMBLY

- (a) CABLE TYPE:
 - (1) Connect the transmission control cable with the clip to floor shift assembly.
 - (2) Install the transmission control cable onto the floor shift assembly.



3. INSTALL FLOOR SHIFT GEAR SHIFTING ROD SUB-ASSEMBLY

- (a) ROD TYPE:
 - (1) Install the floor shift gear shifting rod with nut.
Torque: 5.5 N*m (56 kgf*cm, 49 in.*lbf)

4. INSTALL FRONT CONSOLE BOX (for Bench Seat Type) (See page [IP-23](#))

5. INSTALL FRONT CONSOLE BOX (for Separate Seat Type) (See page [IP-24](#))

6. **INSTALL INSTRUMENT PANEL CUP HOLDER TRAY (for Separate Seat Type) (See page [IP-24](#))**
7. **INSTALL REAR CONSOLE BOX ASSEMBLY (for Separate Seat Type) (See page [IP-24](#))**
8. **INSTALL CONSOLE UPPER REAR PANEL SUB-ASSEMBLY (for Separate Seat Type) (See page [IP-25](#))**
9. **ADJUST SHIFT LEVER POSITION (See page [AT-105](#))**
10. **INSPECT SHIFT LEVER POSITION (See page [AT-105](#))**