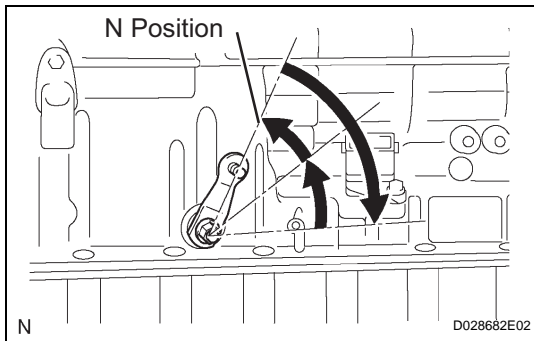


## ADJUSTMENT

### 1. INSPECT SHIFT LEVER POSITION

- (a) Check that the shift lever moves smoothly and appropriately from the P to R position, only when the ignition switch is turned to ON and the brake pedal is depressed.
- (b) When starting the engine, make sure that the vehicle moves forward when shifting the lever from the N to D position and moves rearward when shifting the lever to the R position.



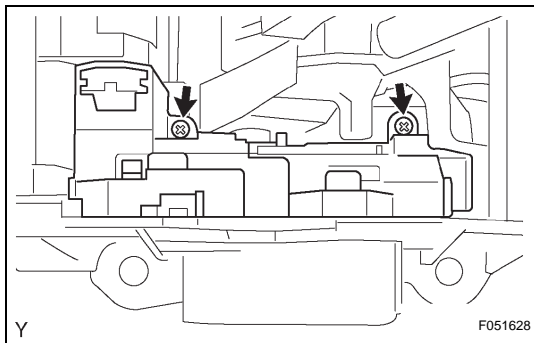
### 2. ADJUST SHIFT LEVER POSITION

- (a) Push the control shaft fully rearward.
- (b) Turn the control shaft lever 2 notches counterclockwise to the N position.
- (c) Set the shift lever to the N position.

## REASSEMBLY

### 1. INSTALL SHIFT LOCK CONTROL ECU SUB-ASSEMBLY

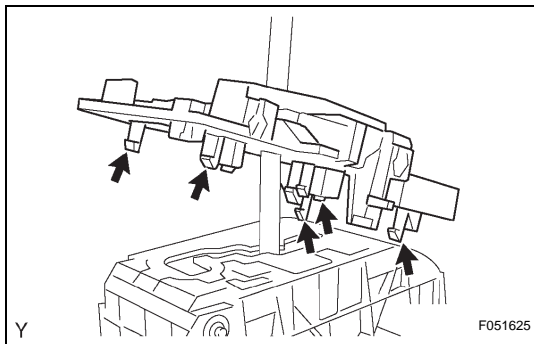
- (a) Install the shift lock control ECU with the 2 screws.
- (b) Install the spring and shift lock release link.
- (c) Install the shift lever guide housing .
- (d) Install the lever lock and new shift lever nut.



### 2. INSTALL LOWER POSITION INDICATOR HOUSING

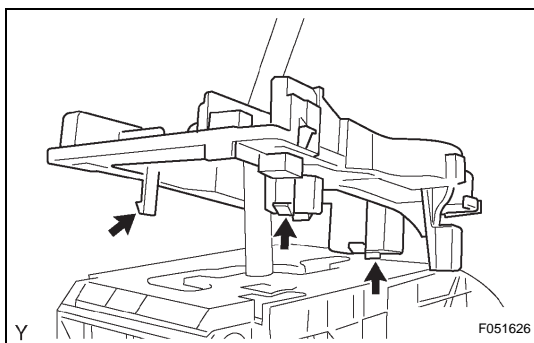
- (a) CABLE TYPE:
  - (1) Install the position indicator housing lower.
 

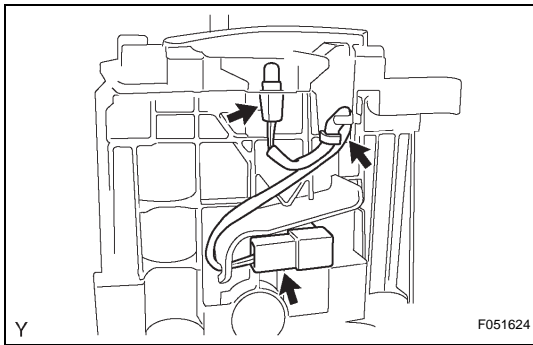
HINT:  
Firmly make the claws fit.



- (b) ROD TYPE:
  - (1) Install the position indicator housing lower.
 

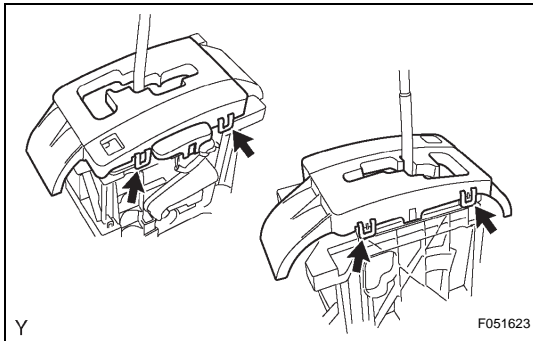
HINT:  
Firmly make the claws fit.





#### 4. INSTALL INDICATOR LAMP WIRE SUB-ASSEMBLY

- (a) Install the bulb into the indicator lamp wire sub-assembly.
- (b) Install the indicator lamp wire sub-assembly.

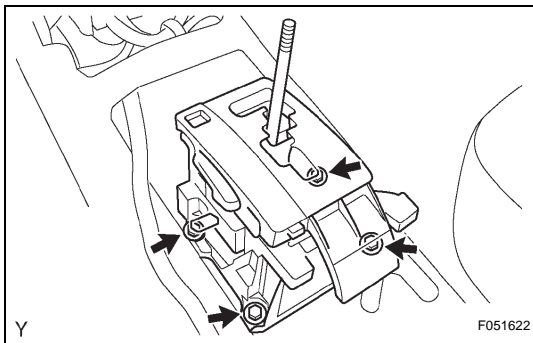


#### 5. INSTALL UPPER POSITION INDICATOR HOUSING

- (a) Install the slide cover and position indicator housing sub-assembly onto the shift lever guide housing.

HINT:

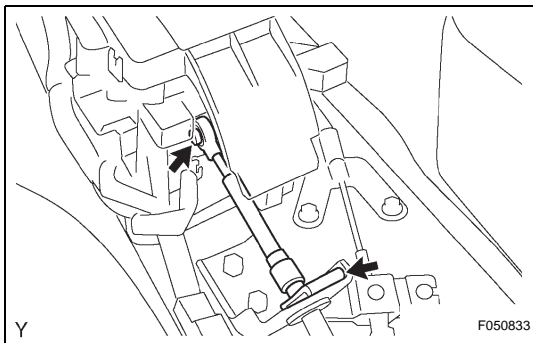
Firmly make the claws fit.



## INSTALLATION

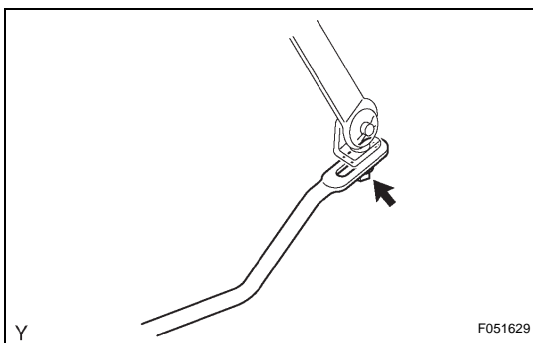
#### 1. INSTALL FLOOR SHIFT ASSEMBLY

- (a) Install the floor shift with the 4 bolts.  
**Torque: 14 N\*m (143 kgf\*cm, 10 ft.\*lbf)**
- (b) Connect the 2 clamps and 2 connectors.



#### 2. CONNECT TRANSMISSION CONTROL CABLE ASSEMBLY

- (a) CABLE TYPE:
  - (1) Connect the transmission control cable with the clip to floor shift assembly.
  - (2) Install the transmission control cable onto the floor shift assembly.



#### 3. INSTALL FLOOR SHIFT GEAR SHIFTING ROD SUB-ASSEMBLY

- (a) ROD TYPE:
  - (1) Install the floor shift gear shifting rod with nut.  
**Torque: 5.5 N\*m (56 kgf\*cm, 49 in.\*lbf)**

#### 4. INSTALL FRONT CONSOLE BOX (for Bench Seat Type) (See page IP-23)

#### 5. INSTALL FRONT CONSOLE BOX (for Separate Seat Type) (See page IP-24)

6. **INSTALL INSTRUMENT PANEL CUP HOLDER TRAY (for Separate Seat Type) (See page [IP-24](#))**
7. **INSTALL REAR CONSOLE BOX ASSEMBLY (for Separate Seat Type) (See page [IP-24](#))**
8. **INSTALL CONSOLE UPPER REAR PANEL SUB-ASSEMBLY (for Separate Seat Type) (See page [IP-25](#))**
9. **ADJUST SHIFT LEVER POSITION (See page [AT-155](#))**
10. **INSPECT SHIFT LEVER POSITION (See page [AT-155](#))**