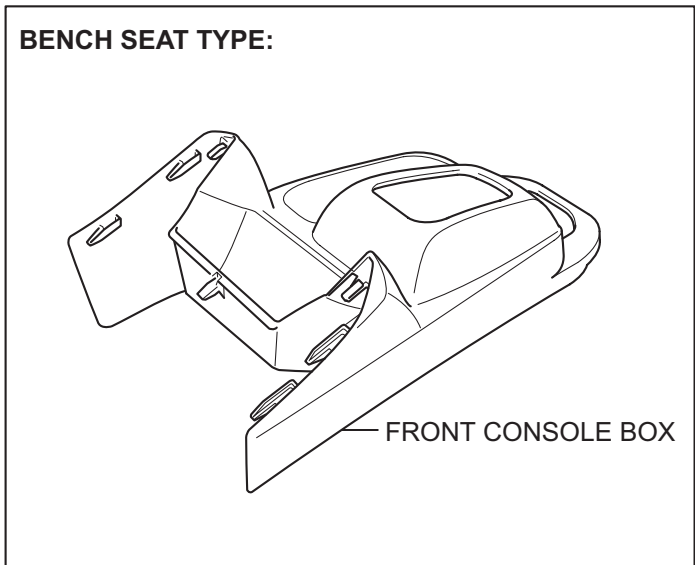
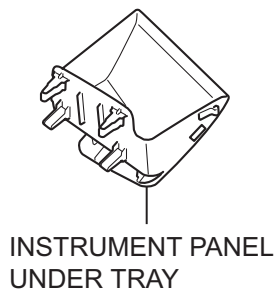
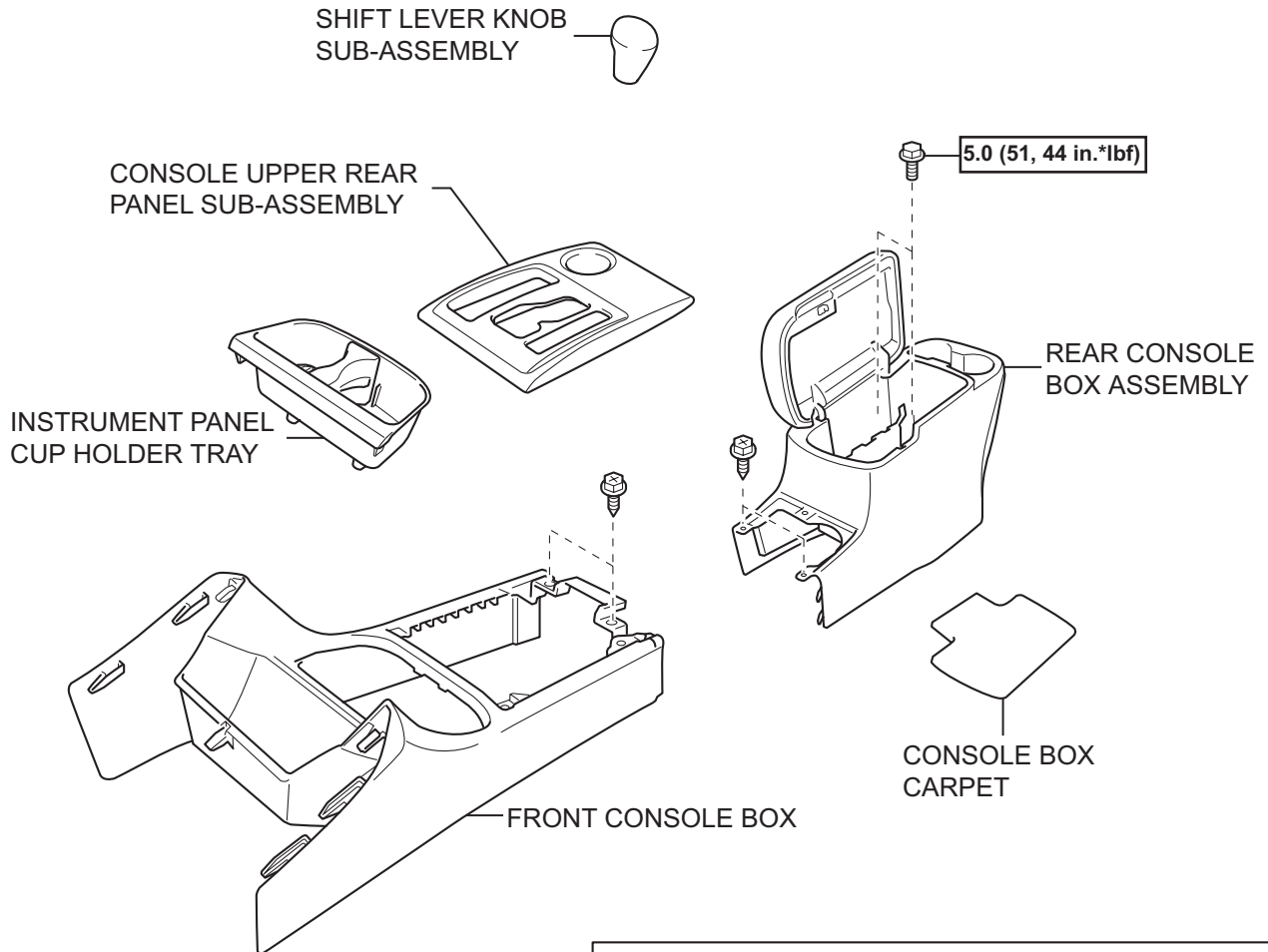


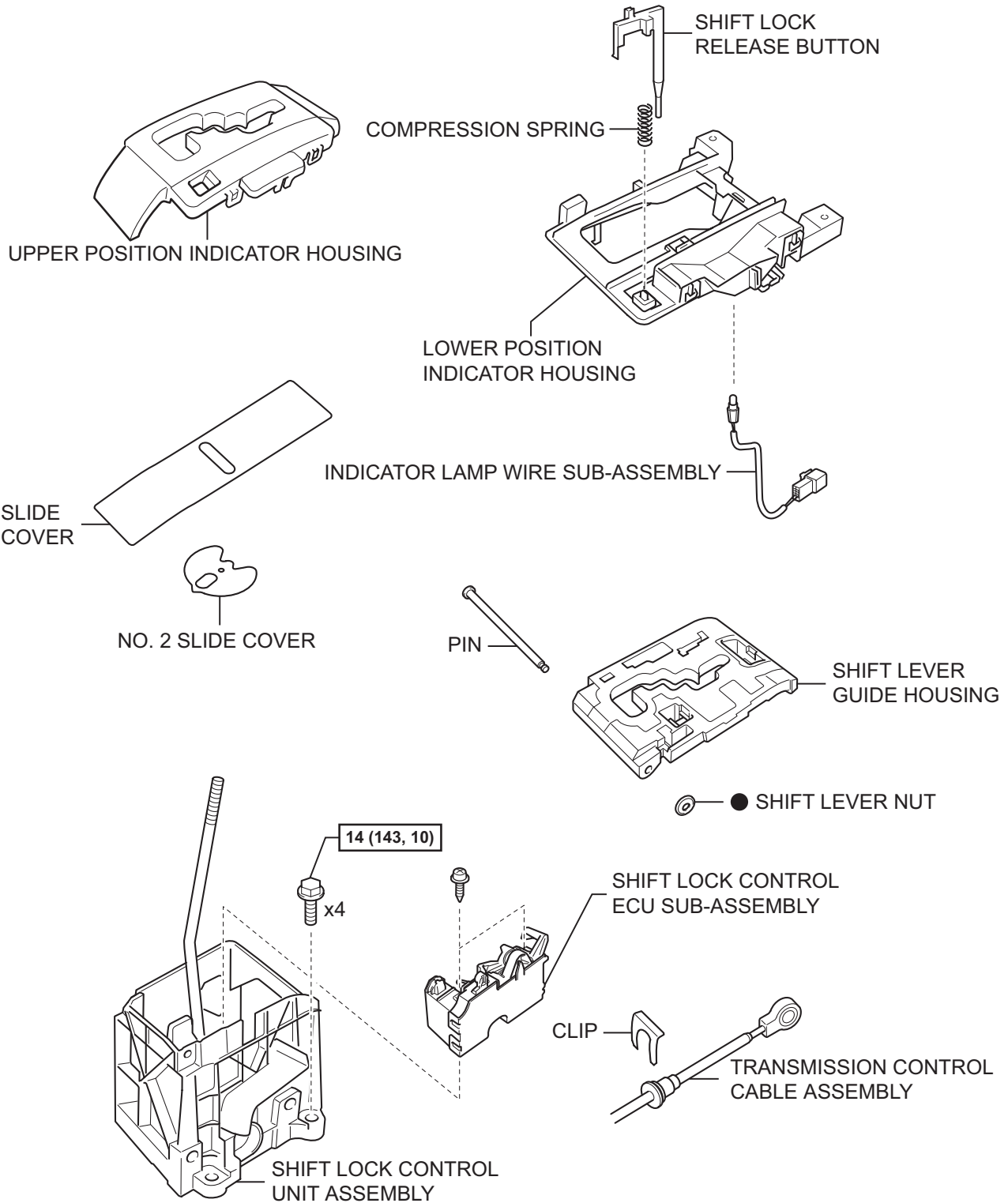
FLOOR SHIFT ASSEMBLY

COMPONENTS



N*m (kgf*cm, ft*lbf) : Specified torque

CABLE TYPE:



N*m (kgf*cm, ft*lbf) : Specified torque

● Non-reusable part